

LTR	REVISION	DATE	APPD
L	093021-UF01: UPDATED TEST DATA	10-06-21	HF

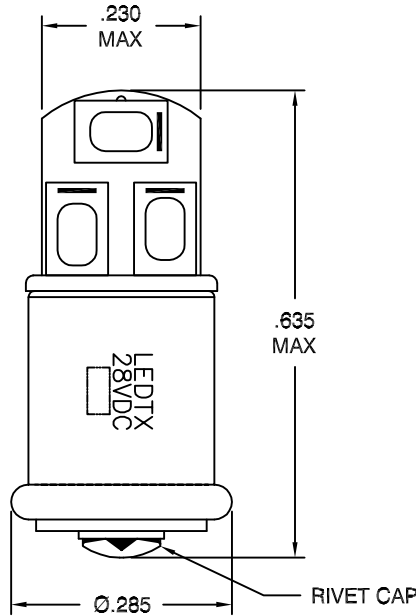
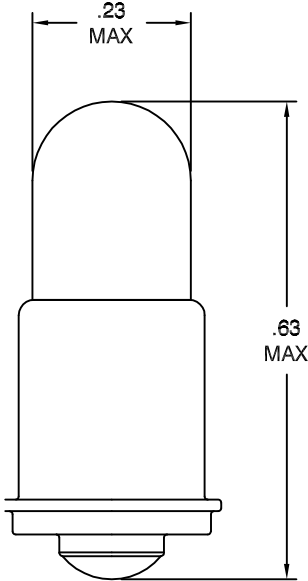


ACTUAL SIZE



PATENT PENDING

REFERENCE
G.E. 387
DIMENSIONS



NOTES:

1. DIRECT REPLACEMENT FOR G.E. 387, 28V, .048 AMP, 7,000 HRS FOR ALL AIRCRAFT INDICATOR LAMP APPLICATIONS MS25237-387 AND MS18209-387
2. BULB SPECIFICATION: 28V. BIPOLAR, .01 AMP, 50,000 HOURS LIFE.

REVISION NOTIFICATION	
<input type="checkbox"/> DLC	
<input type="checkbox"/> UL/ETL	
<input type="checkbox"/> MADE IN USA	
<input type="checkbox"/> CUSTOMER _____	
<input type="checkbox"/> OTHER _____	
REDLINE CHECKLIST	
<input type="checkbox"/> REDLINE(YES)	
<input type="checkbox"/> DATE: _____	
<input type="checkbox"/> INITIATED BY: _____	
<input type="checkbox"/> ECR REQUIRED YES <input type="checkbox"/> NO <input type="checkbox"/>	
<input type="checkbox"/> WORK ORDER# _____	

ELECTRICAL-OPTICAL CHARACTERISTICS (Ta = 25°C)

BSD-1884-0CW	6210-01-508-8418	HALOGEN WHITE	14Vdc	0.0003 A	0.04 W	0.08 lm	0.0510	2700K
			14Vac	0.002 A	0.03 W	0.64 lm	0.0066	
			24Vdc	0.009 A	0.20 W	7.13 lm	0.5677	
			24Vac	0.013 A	0.40 W	7.06 lm	0.5620	
			28Vdc	0.015 A	0.40 W	10.58 lm	0.8416	
			28Vac	0.019 A	0.50 W	9.37 lm	0.7459	
LEDTRONICS PART NO.	NSN PART NO.	COLOR EMITTED	INPUT VOLTAGE, V	CURRENT (A)	POWER (W)	TOTAL LUMENS	SCP	COLOR TEMP. (K)

 LEDTRONICS,™ INC. 23105 KASHIWA COURT TORRANCE, CA 90505	-PROPRIETARY- This document contains Proprietary Information of LEDTRONICS, INC. It may not be copied, used or disclosed for any purpose without the prior express written consent of LEDTRONICS, INC.		TITLE BSD-1884-0CW					
	.XXX ± .010 TOLERANCE PER ANSI-Y14.5 .XX ± .025 (UNLESS OTHERWISE STATED) ANGLES ± 0°,30' FRACT. ± 1/32		DWG NO B1884001	SCALE 4:1	SHEET 1 OF 1	DATE 06-22-01		
	CODE IDENT NO. 8Z410	DWG BY RM 06-22-01	CHK BY	QA SB 10-07-21	MFG LD 10-07-21	R&D UF 10-07-21		