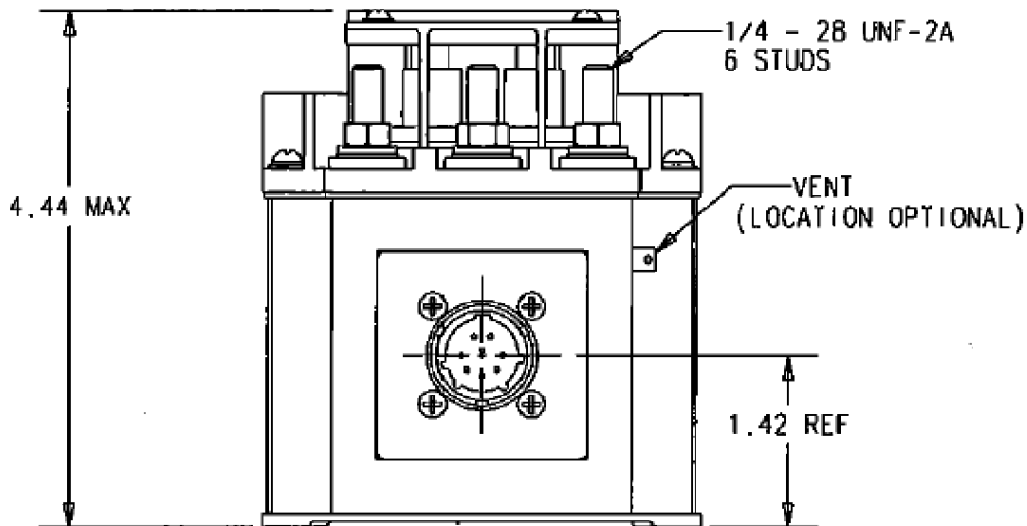
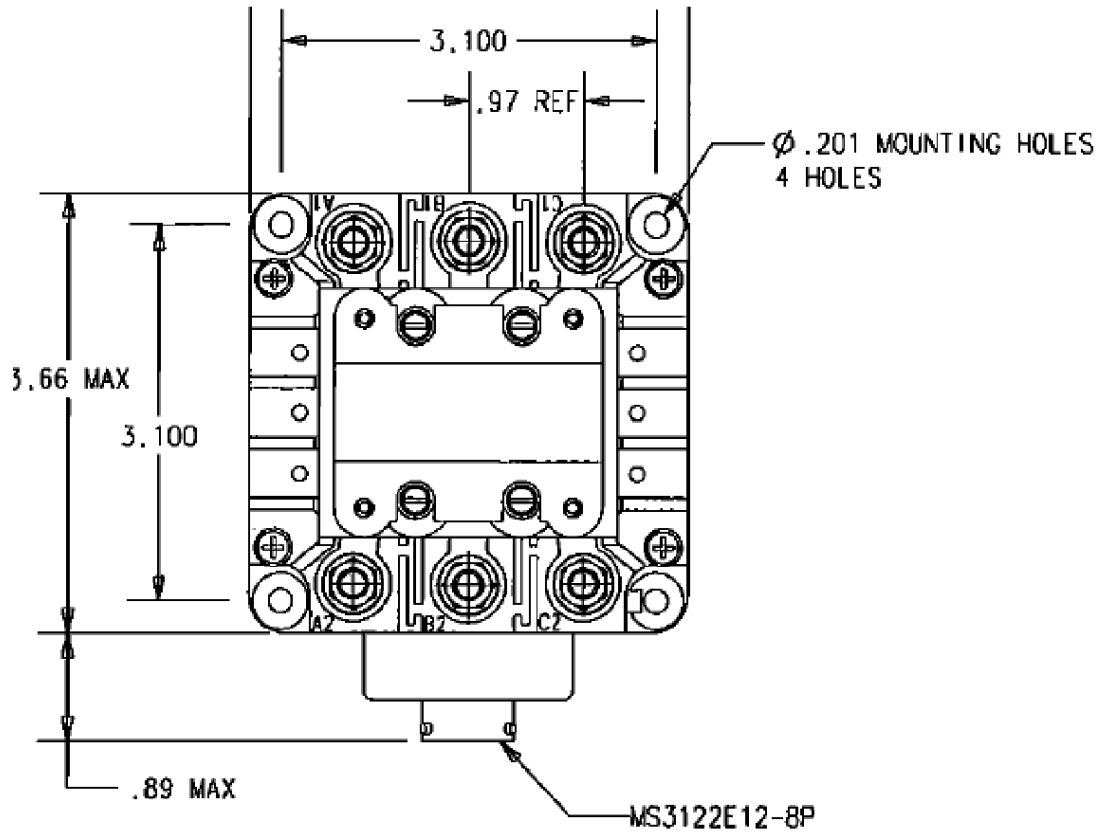


REVISIONS

REV.	ECO	DESCRIPTION	DATE	APPROVED
A	-	RELEASED	-	-

BR-312Y
 CONTACTOR-3PST N.O. 175 AMP
 139/240 VAC 400 HZ



ALL DIMENSIONS ARE IN INCHES



TE CONNECTIVITY
 175 N, DIAMOND STREET MANSFIELD,
 OHIO 44902

TITLE

CONTACTOR-3PST N.O. 175 AMP
 139/240VAC, 400HZ

TE P.N.

7-1616969-6

DWG NO.

BR-312Y

DS DATA SHEET

CAGE CODE
 74063

SCALE
 NONE

SHEET
 1 OF 2

REV
 A

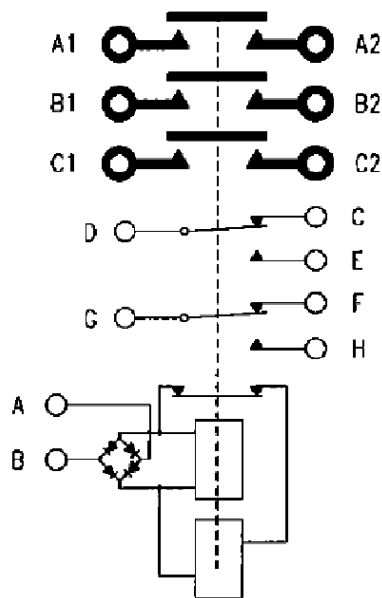
GENERAL SPECIFICATION

CONSTRUCTION	GASKET SEALED & VENTED
MAIN CONTACTS	
CONFIGURATION	3PST NO
VOLTAGE (NOMINAL)	139/240VAC 400HZ
CURRENT RES	175 AMP
AUXILIARY CONTACTS	
CONFIGURATION	2PDT
VOLTAGE	139/240VAC 400HZ OR 28VDC
CURRENT RES	5 AMP
COIL DATA	
DUTY CYCLE	CONTINUOUS (ECONOMIZING)
NOM OPERATE VOLTAGE	115VAC 400HZ
PICKUP MAX	90VAC @ 71°C
DROPOUT	25 ± 20VAC
ENVIRONMENTAL DATA	
OPERATING TEMP	-55°C TO 71°C
LIFE	
ELECTRICAL	50,000 CYCLES MIN
MECHANICAL	100,000 CYCLES MIN
WEIGHT	3.15 LBS (EST)

NOTES:

1. THIS UNIT DESIGNED TO THE BASIC REQUIREMENTS OF MIL-PRF-6106 EXCEPT AS NOTED.
2. TERMINAL COVER FIND NO. 2 REMOVED FROM TOP VIEW.

SCHEMATIC



TE CONNECTIVITY
175 N, DIAMOND STREET MANSFIELD,
OHIO 44902

TITLE

CONTACTOR-3PST N.O. 175 AMP
139/240 VAC, 400 HZ

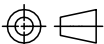
TE P.N.

7-1616969-6

DWG NO.

BR-312Y

THIRD ANGLE PROJECTION



THIS DRAWING PREPARED
IN ACCORDANCE WITH
ANSI/ASMEY14.5M-1982

CAGE CODE

74063

SCALE

NONE

SHEET

2 OF 2

REV

A