

Cell size	No	P/N	Fig	Insulating tube	H											
					A	B	C	D	E	F	G	H	I	J	K	L
1225	7	BR-1225A/HBN	1	yes	12.6 ± 0.2	4 ± 0.1	13 ± 1	10 ± 1	8.2 ± 0.8	5.05 ± 0.8	0.2 ± 0.05	3.5 ± 0.5	0.75 ± 0.1	3.5 ± 0.5	0.75 ± 0.1	
1632	10	BR-1632A/HAN	1	yes	16.1 ± 0.2	4 ± 0.1	16.5 ± 1	15.2 ± 1	8.8 ± 0.8	5.05 ± 0.8	0.15 ± 0.05	3.5 ± 0.5	0.75 ± 0.1	3.5 ± 0.5	0.75 ± 0.1	
2330	20	BR-2330A/HDN	1	yes	23.1 ± 0.2	4 ± 0.1	24 ± 1	20.5 ± 1	8.9 ± 0.8	5.25 ± 0.8	0.2 ± 0.05	3.5 ± 0.5	1.8 ± 0.1	3.5 ± 0.5	0.75 ± 0.1	
2450	24	BR-2450A/HAN	1	yes	24.6 ± 0.2	4 ± 0.1	25 ± 1	20.5 ± 1	10.2 ± 0.8	4.6 ± 0.8	0.2 ± 0.05	3.5 ± 0.5	2.8 ± 0.1	3.5 ± 0.5	1.8 ± 0.1	
2477	26	BR-2477A/HBN	1	yes	24.6 ± 0.2	4 ± 0.1	25 ± 1	20.5 ± 1	13.1 ± 0.8	4.8 ± 0.8	0.2 ± 0.05	3.5 ± 0.5	2.8 ± 0.1	3.5 ± 0.5	1.8 ± 0.1	

Fig1

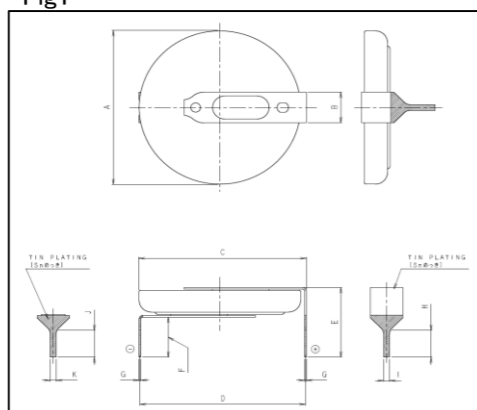


Fig2

