

SPECIFICATION FOR PIEZO ELECTRIC BUZZER

Customer	
Customer P/N	
BeStar Model Name	BPT1412XH7.5 LF
Product No.	040200
Issue No.	BS/TEP01.011C
Issue Date	07/11/20

Approval:

- 1.Characteristics
- 2.Dimension
- 3.Reliability Test
- 4.Packing
- 5.Notice
- 6.History change record

Drawn by	Checked by	Approved by	Customer approved

For conform to the European Union Directive on the Restriction of Hazardous Substances(RoHS), this type of productions forbid use all the hazardous substances as follow:

Lead
Cadmium
Mercury
Hexavalent chromium
Polybrominated biphenyls (PBB)
Polybrominated diphenyl ethers (PBDE)



BESTAR ELECTRONICS INDUSTRY CO.,LTD
No.199 HuangHe West Road.New district,changzhou,
jiangsu Province,P.R.China
Tel:86-519-88222567 Fax:86-519-88222551
Http:www.be-star.com
E-mail: wu@be-star.com, info@be-star.com

BPT1412XH7.5 LF



1. Characteristics

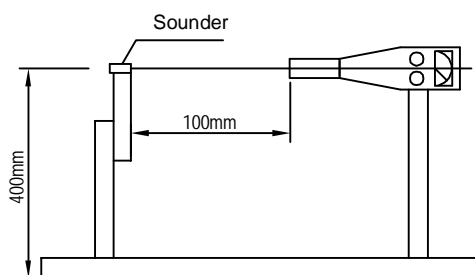
1.1 Electrical and Mechanical Characteristics

No.	Item	Specification
1.	Rated Voltage	12VDC
2.	Operating Voltage	3...16VDC
3.	a)Rated Current	max.10mA
4.	a)Sound Output at 10cm	Min.85dB
5.	Resonant Frequency	4 ± 0.5KHz
6.	Operating Temperature	-20...+70° C
7.	Storage Temperature	-30...+80° C
8.	Weight	1g ± 25%
9.	Color	Black
10.	RoHS	Yes
a)Value applying at rated voltage		

1.2 Test method:

Standard text Fixture

No reaction in space with in 400mm in all direction



This print and information there in are proprietary to Bestar Electronics Industry Co., Ltd. and shall not be used in whole or in part without its written content

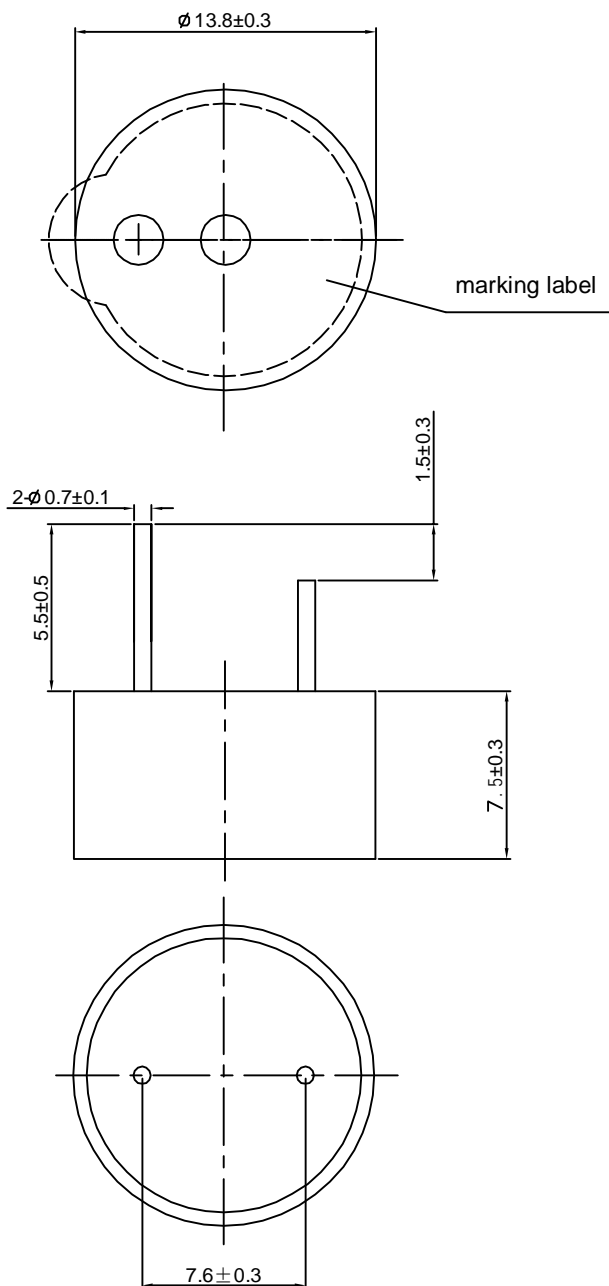
				Date:	07/11/20	BPT-1412XH7.5 LF	
				Drawn by:	赵 崢		
C	07/11/20	赵 崢		Checked by:	李红元	Piezo Buzzer	
Rev.	Date	Drawn	Note	Approved by:	张秀琴		
BESTAR ELECTRONICS INDUSTRY CO.,LTD						DRG NO: BS/TEP01.011C	Page:1 of 5
www.be-star.com wu@be-star.com							

BPT1412XH7.5 LF

2. Dimension

Tolerance: ± 0.2

Unit:mm



This print and information there in are proprietary to Bestar Electronics Industry Co., Ltd. and shall not be used in whole or in part without its written content

				Date:	07/11/20	BPT-1412XH7.5 LF	
				Drawn by:	赵 峰		
A	C	07/11/20	赵 峰	Checked by:	李红元	Piezo Buzzer	
REV.	Date	Drawn	Note	Approved by:	张秀琴		
BESTAR ELECTRONICS INDUSTRY CO.,LTD						DRG NO: BS/TEP01.011C	Page:2 of 5
www.be-star.com wu@be-star.com							

BPT1412XH7.5 LF

3. Reliability test

3.1 high temperature test

Temperature +80°C
Duration 96hrs

3.2 low temperature test

Temperature -30°C
Duration 96hrs

3.3 life test in normal temperature

Power supply rated voltage
Duration 1000hrs

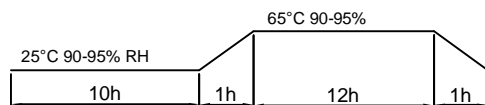
3.4 temperature cycle test

Cycles 5



3.5 Humidity cycle test

Cycles 5



all these tests above should be measured after leaving normal temperature for 2hrs.

3.6 Drop test

Height 70cm
(to 10mm thickness woodenboard)
Direction 3

3.7 Solderability

Temperature 255± 5°C
Duration 3± 0.5sec

3.8 Solder Heat Resistance

Temperature 255± 10°C
Duration 30sec

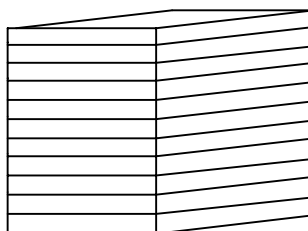
Notice: All specification must be satisfied in this condition.

This print and information there in are proprietary to Bestar Electronics Industry Co., Ltd. and shall not be used in whole or in part without its written content

				Date:	07/11/20	BPT-1412XH7.5 LF	
				Drawn by:	赵 崢		
A	C	07/11/20	赵 崢	Checked by:	李红元	Piezo Buzzer	
REV.	Date	Drawn	Note	Approved by:	张秀琴		
BESTAR ELECTRONICS INDUSTRY CO.,LTD						DRG NO: BS/TEP01.011C	Page:3 of 5
www.be-star.com wu@be-star.com							

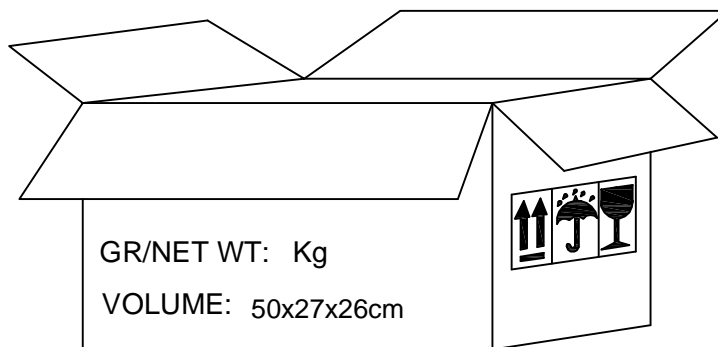
BPT1412XH7.5 LF

4.Packing



packing quantity

- 1)100pcs/tray
- 2)30trays/carton
- 3)3000 pcs/carton in total
- 4)carton size 50x27x26cm



5.Notice

5.1 The products mustn't be washed

5.2 Storage Condition

The products should be stored in the room ,where the temperature/humidity is stable. And avoid such places where there are large temperature changes. Please store the products at the following conditions:

Temperature: -10 to + 40°C Humidity: 15 to 85% R.H.

5.3 Expire Date on Storage

Expire date (Shelf life) of the products is six months after delivered under the conditions of a sealed and an unopened package. Please use the products within six months after delivered.

If you store the products for a long time (more than six months), use carefully because the products may be degraded in the solderability and/or rusty.Please confirm solderability and characteristics for the products regularly.

5.4 Notice on Product Storage

(1) Please do not store the products in a chemical atmosphere (Acids, Alkali, Bases, Organic gas, Sulfides and so on), because the characteristics may be reduced at quality, and/or be degraded in the solderability due to the storage in a chemical atmosphere.

(2) Please use the products immediately after the package is opened, because the characteristics may be reduced at quality, and/or be degraded in the solderability due to storage under the poor condition.

(3) Please do not drop the products to avoid cracking of ceramic element.

This print and information there in are proprietary to Bestar Electronics Industry Co., Ltd. and shall not be used in whole or in part without its written content

				Date:	07/11/20	BPT-1412XH7.5 LF	
				Drawn by:	赵 崢		
C	07/11/20	赵 崢		Checked by:	李红元	Piezo Buzzer	
REV.	Date	Drawn	Note	Approved by:	张秀琴		
BESTAR ELECTRONICS INDUSTRY CO.,LTD						DRG NO: BS/TEP01.011C	Page:4 of 5
www.be-star.com wu@be-star.com							

