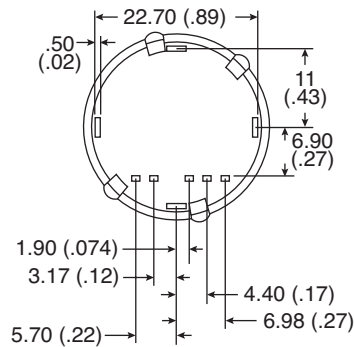
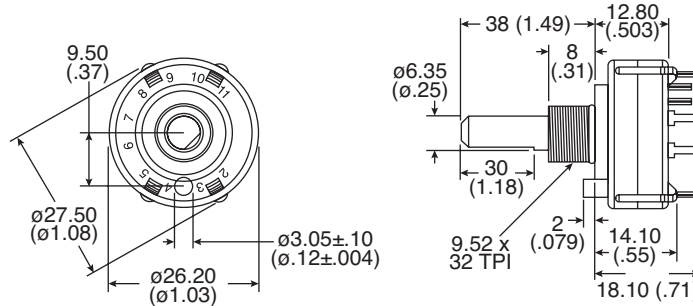


**DIMENSIONS: mm (In.)**



**Gray Coded Common 4-Bit**  
Common E

Dial	Connection to Terminals			
	A	B	C	D
0				
1				•
2			•	•
3			•	
4		•	•	
5		•	•	•
6		•		•
7		•		
8	•			
9	•	•		•
A	•	•	•	•
B	•	•	•	
C	•		•	
D	•		•	•
E	•			•
F	•			

**Gray Coded Common 3-Bit**  
Common E

Dial	Connection to Terminals		
	A	B	C
1			
2			•
3		•	•
4		•	
5	•	•	
6	•	•	•
7	•		•
8	•		

Lorlin Part No.	Code Configuration
GCK1022	4-Bit Gray Comp
GCK1023	4-Bit Gray Comp
GCK1026	3-Bit Gray
GCK1027	3-Bit Gray

**Electrical Specifications:**

- Switch Rating: 150mA/50VAC/DC
- Life: >10,000 Cycles
- Proof Voltage: 250VAC (Initial)
- Insulation Resistance: >999M $\Omega$  at 500VDC (Initial)
- Contact Resistance: <50m $\Omega$  (Initial)

**Mechanical Specifications:**

- Operating Temperature: -30°C to +85°C
- Operating Torque (Nominal): Standard 4.7 $\pm$ 0.5cNm
- End Stop Torque (Nominal): 0.8Nm
- Angle of Spindle Flat: 90°
- Spindle Flat Depth: 5.5mm

**Materials:**

- Moulding: Polyamide 6.6 G.F.
- Contact/Terminal: Brass CZ108 AG Plated

**Note:**

- RoHS Compliant

## Binary Coded Rotary Switches

GCK1022, GCK1023, GCK1026, GCK1027