



## Main

Range of product	Modicon M340 automation platform
Product or component type	Discrete output module
Electrical connection	20-way connector
Discrete output number	16 conforming to EN/IEC 61131-2
Discrete output type	Solid state
Discrete output logic	Positive
Discrete output voltage	24 V 19...30 V DC
Discrete output current	0.5 A
Output compatibility	IEC 61131-2 type 3 DC input Not IEC 61131-2 DC input

## Complementary

Current per channel	$\leq 0.625$ A
Current per module	$\leq 10$ A
Leakage current	$\leq 0.5$ mA at state 0
[Ures] residual voltage	$\leq 1.2$ V at state 1
Insulation resistance	$> 10$ MOhm 500 V DC
Power dissipation in W	$\leq 4$ W
Response time on output	1.2 ms
Paralleling of outputs	Yes : 2 maximum
Typical current consumption	100 mA 3.3 V DC
MTBF reliability	409413 H
Protection type	Reverse polarity protection Overvoltage protection Overload protection External short-circuit protection
Output overload protection	With electronic circuit breaker $1.5 \text{ In} < \text{Id} < 2 \text{ In}$ With current limiter
Output overvoltage protection	With transil diode
Output short-circuit protection	With 2 A external fuse
Reverse polarity protection	Reverse mounted diode
Voltage detection threshold	$> 18$ V DC preactuator at state 0 $< 14$ V DC preactuator fault
Tungsten load	$\leq 6$ W
Switching frequency	$0.5/\text{LI}^2$ Hz
Load impedance ohmic	$\leq 48$ Ohm
Status LED	1 LED red module I/O 1 LED red module error (ERR) 1 LED per channel green channel diagnostic 1 LED green module operating (RUN)
Product weight	0.12 kg

The information provided in this documentation contains general descriptions and/or technical characteristics of the performance of the products contained herein. This documentation is not intended as a substitute for and is not to be used for determining suitability or reliability of these products for specific user applications. It is the duty of any such user or integrator to perform the appropriate and complete risk analysis, evaluation and testing of the products with respect to the relevant specific application or use thereof. Neither Schneider Electric Industries SAS nor any of its affiliates or subsidiaries shall be responsible or liable for misuse of the information contained herein.

## Environment

IP degree of protection	IP20
Standards	CSA 22-2 No 142 IEC 1131-2 IEC 664 NF C 63-850 UL 508 UL 746C
Dielectric strength	1500 V AC at 50/60 Hz 1 minute, output/internal logic 1500 V AC at 50/60 Hz 1 minute, output/ground
Ambient air temperature for operation	0...60 °C
Relative humidity	10...95 % without condensation
Protective treatment	TC

Modules Mounted on Racks

Dimensions

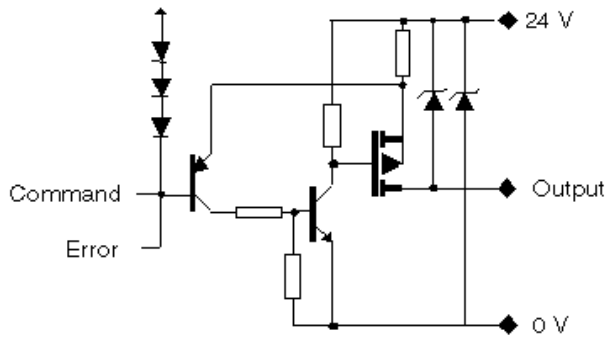


- (1) With removable terminal block (cage, screw or spring).
- (2) With FCN connector.
- (3) On AM1 ED rail: 35 mm wide, 15 mm deep. Only possible with BMXXBP0400/0400H/0600/0600H/0800/0800H rack.

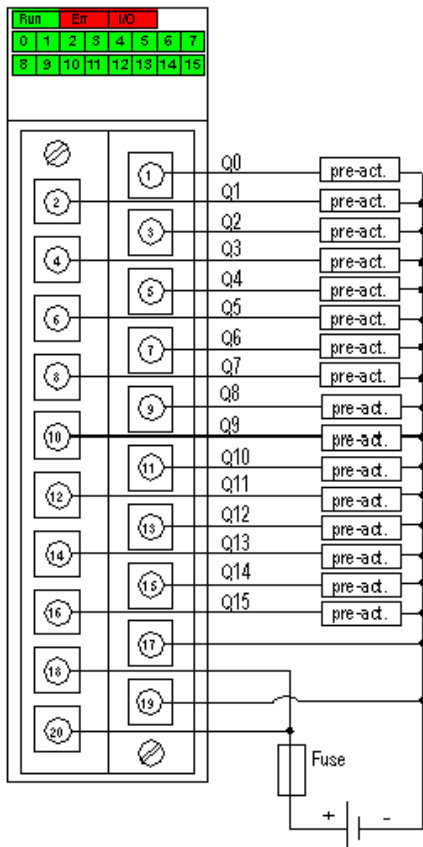
Rack references	a in mm	a in in.
BMXXBP0400 and BMXXBP0400H	242.4	09.54
BMXXBP0600 and BMXXBP0600H	307.6	12.11
BMXXBP0800 and BMXXBP0800H	372.8	14.68
BMXXBP1200 and BMXXBP1200H	503.2	19.81

Connecting the Module

Output Circuit Diagram



Module Connection



power 24 VDC  
supply  
fuse fast blow fuse of 6.3 A  
pre- pre-actuator  
act