

## Main

Range of product	Modicon X80
Product or component type	Power supply module
Product compatibility	Not compatible with BMEXBP..02
Product specific application	For severe environments
Primary voltage	24...48 V isolated
Supply circuit type	DC
Secondary power	11.3 W 3.3 V DC at -13...158 °F (-25...70 °C) I/O module logic power supply 15 W 3.3 V DC at 32...140 °F (0...60 °C) I/O module logic power supply 23.4 W 24 V DC at -13...158 °F (-25...70 °C) I/O module power supply and processor 31.2 W 24 V DC at 32...140 °F (0...60 °C) I/O module power supply and processor

## Complementary

Primary voltage limit	18...62.4 V
Input current	0.83 A 48 V 1.65 A 24 V
Inrush current	30 A 24 V 60 A 48 V
I <sup>2</sup> t on activation	1 A <sup>2</sup> .s 24 V 3 A <sup>2</sup> .s 48 V
It on activation	<= 0.2 A.s 24 V <= 0.3 A.s 48 V
Protection type	Internal fuse not accessible primary circuit Overload protection secondary circuit, 24 V sensor power supply Overvoltage protection secondary circuit, 24 V sensor power supply Short-circuit protection secondary circuit, 24 V sensor power supply
Current at secondary voltage	1.3 A 24 V DC I/O module power supply and processor 4.5 A 3.3 V DC I/O module logic power supply
Power dissipation in W	<= 8.5 W
Status LED	1 LED green rack voltage OK
Control type	RESET push-button cold restart
Electrical connection	1 connector 2 pin(s) alarm relay 1 connector 5 pin(s) line supply, protective earth
Insulation resistance	>= 10 mOhm primary/ground >= 10 mOhm primary/secondary
Product weight	0.75 lb(US) (0.34 kg)

## Environment

immunity to microbreaks	1 ms
dielectric strength	1500 V primary/ground 1500 V primary/secondary
vibration resistance	3 gn
shock resistance	30 gn
IP degree of protection	IP20
product certifications	ATEX CE CSA UL RCM IEC-Ex

The information provided in this documentation contains general descriptions and/or technical characteristics of the performance of the products contained herein. This documentation is not intended as a substitute for and is not to be used for determining suitability or reliability of these products for specific user applications. It is the duty of any such user or integrator to perform the appropriate and complete risk analysis, evaluation and testing of the products with respect to the relevant specific application or use thereof. Neither Schneider Electric Industries SAS nor any of its affiliates or subsidiaries shall be responsible or liable for misuse of the information contained herein.

standards	EN/IEC 61131-2 EN/IEC 61010-2-201 UL 61010-2-201 CSA C22.2 No 61010-2-201
ambient air temperature for storage	-40...185 °F (-40...85 °C)
ambient air temperature for operation	-13...158 °F (-25...70 °C)
relative humidity	5...95 % without condensation 55 °C
protective treatment	Conformal coating Humiseal 1A33 TC
environmental characteristic	Corrosion resistance Salt mist Dust resistant Hazardous location
operating altitude	0...6561.68 ft (0...2000 m) 2000...5000 m (with derating factor)

### Offer Sustainability

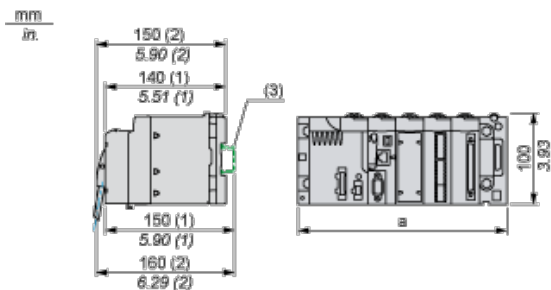
Green Premium product	Green Premium product
Compliant - since 0911 - Schneider Electric declaration of conformity	Compliant - since 0911 - Schneider Electric declaration of conformity
Reference not containing SVHC above the threshold	Reference not containing SVHC above the threshold
Available	Available
Available	Available

### Contractual warranty

Warranty period	18 months
-----------------	-----------

### Modules Mounted on Racks

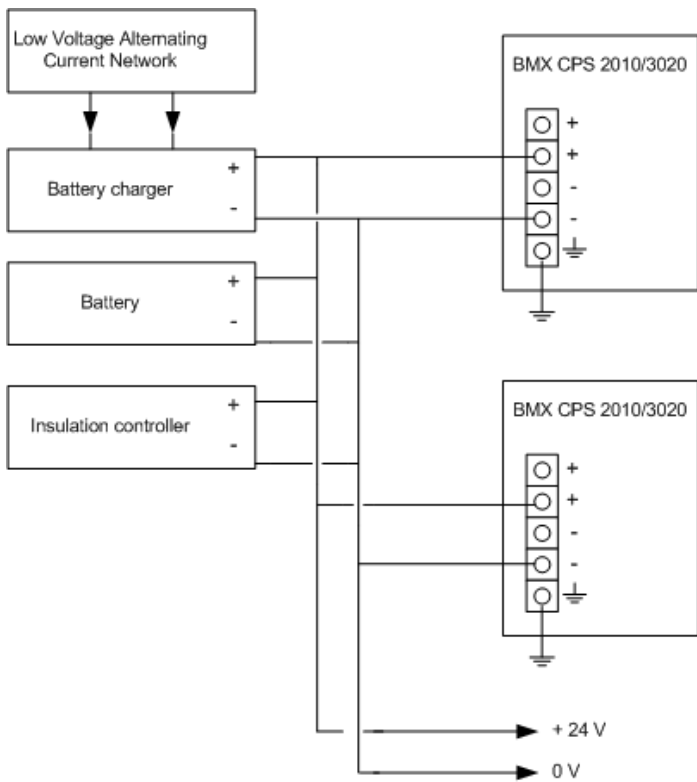
#### Dimensions



- (1) With removable terminal block (cage, screw or spring).
- (2) With FCN connector.
- (3) On AM1 ED rail: 35 mm wide, 15 mm deep. Only possible with BMXXBP0400/0400H/0600/0600H/0800/0800H rack.

Rack references	a in mm	a in in.
BMXXBP0400 and BMXXBP0400H	242.4	09.54
BMXXBP0600 and BMXXBP0600H	307.6	12.11
BMXXBP0800 and BMXXBP0800H	372.8	14.68
BMXXBP1200 and BMXXBP1200H	503.2	19.81

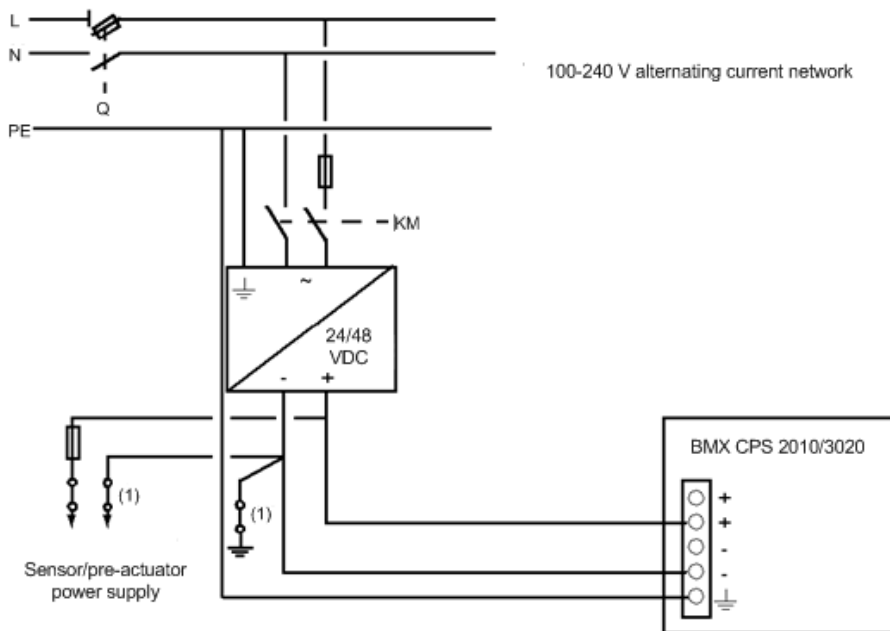
### Connection of Direct Current Power Supply Modules to a 24 Vdc or 48 Vdc Floating Direct Current Network



24 VDC floating network for the power supply of sensors, actuators and input/out modules.

## Connection of Direct Current Power Supply Modules to an Alternating Current Network

### Connection of a Single Rack PLC Station

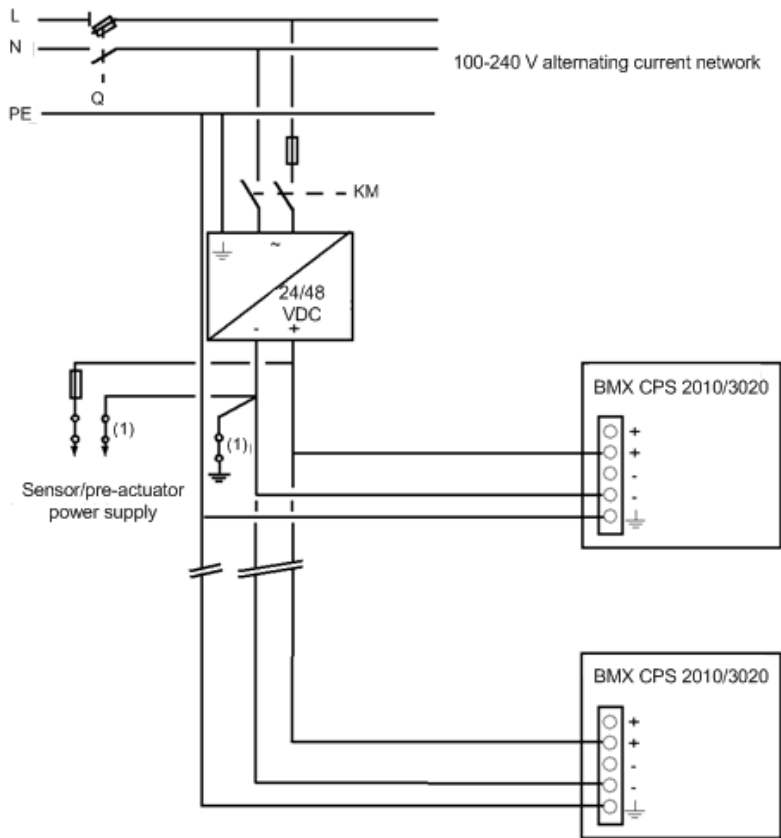


**Q** General isolator

**KM** Line contactor or circuit breaker

**(1)** Insulation connector bar for locating grounding errors

### Connection of a Multi-Rack PLC Station



- Q** General isolator
- KM** Line contactor or circuit breaker
- (1)** Insulation connector bar for locating grounding errors