



Main

| | |
|----------------------------|----------------------|
| Range of product | Modicon X80 |
| Product or component type | Analog output module |
| Electrical connection | 20 ways 1 connector |
| Isolation between channels | Isolated |

Complementary

| | |
|-------------------------------|--|
| Measurement error | $\leq 0.2\%$ of full scale 0...60 °C 0.1 % of full scale 25 °C |
| Temperature drift | 45 ppm/°C +/- 10 V 45 ppm/°C 0...20 mA 45 ppm/°C 4...20 mA |
| Minimum crosstalk attenuation | 80 dB |
| Common mode rejection | 100 dB |
| Isolation voltage | 1400 V DC between channels and ground 1400 V DC between channels and bus 750 V DC between channels |
| Detection type | Open circuit 0...20 mA Open circuit 4...20 mA Short circuit +/- 10 V |
| Load impedance ohmic | ≥ 1000 Ohm +/- 10 V ≤ 500 Ohm 0...20 mA ≤ 500 Ohm 4...20 mA |
| Output level | High level |
| Analogue output number | 4 |
| Analogue output type | Current: 0...20 mA Current: 4...20 mA Voltage: +/- 10 V |
| Analogue output resolution | 15 bits + sign |
| Supply | Internal power supply via rack |
| Conversion time | ≤ 1 ms |
| Maximum conversion value | 0...21 mA 0...20 mA 0...21 mA 4...20 mA +/- 10.5 V +/- 10 V |
| Fallback mode | Configurable Predefined |
| MTBF reliability | 1000000 H |
| Operating altitude | 0...2000 m 2000...5000 m with derating factor |
| Status LED | 1 LED (green) RUN 1 LED per channel (green) channel diagnostic 1 LED (red) ERR 1 LED (red) I/O |
| Net weight | 0.15 kg |
| Power consumption in W | 3 W 24 V DC typical 3.6 W 24 V DC maximum 0.45 W 3.3 V DC typical 0.51 W 3.3 V DC maximum |

Environment

| | |
|---------------------------------------|--|
| Vibration resistance | 3 gn |
| Shock resistance | 30 gn |
| Ambient air temperature for storage | -40...85 °C |
| Ambient air temperature for operation | 0...60 °C |
| Relative humidity | 5...95 % at 55 °C without condensation |
| IP degree of protection | IP20 |
| Directives | 2014/35/EU - low voltage directive 2014/30/EU - electromagnetic compatibility |
| Product certifications | CE RCM CSA EAC Merchant Navy UL |
| Standards | EN/IEC 61010-2-201 EN/IEC 61131-2 UL 61010-2-201 CSA C22.2 No 61010-2-201 |

Packing Units

| | |
|------------------------------|-----------|
| Unit Type of Package 1 | PCE |
| Number of Units in Package 1 | 1 |
| Package 1 Height | 5.500 cm |
| Package 1 Width | 11.000 cm |
| Package 1 Length | 11.500 cm |
| Package 1 Weight | 211.000 g |
| Unit Type of Package 2 | S02 |
| Number of Units in Package 2 | 15 |
| Package 2 Height | 15.000 cm |
| Package 2 Width | 30.000 cm |
| Package 2 Length | 40.000 cm |
| Package 2 Weight | 3.516 kg |

Offer Sustainability

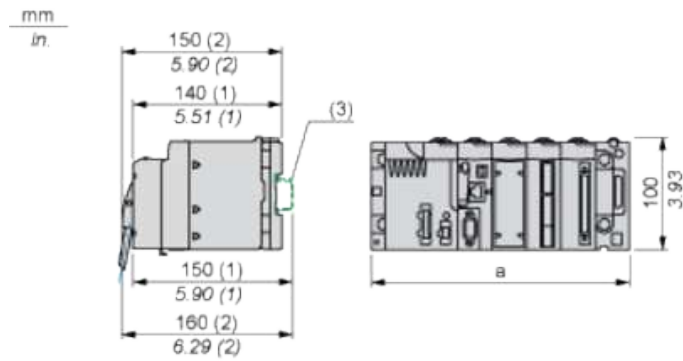
| | |
|----------------------------|---|
| Sustainable offer status | Green Premium product |
| REACH Regulation | REACH Declaration |
| REACH free of SVHC | Yes |
| EU RoHS Directive | Pro-active compliance (Product out of EU RoHS legal scope) EU RoHS Declaration |
| Mercury free | Yes |
| China RoHS Regulation | China RoHS Declaration |
| RoHS exemption information | Yes |
| Environmental Disclosure | Product Environmental Profile |
| Circularity Profile | End Of Life Information |
| WEEE | The product must be disposed on European Union markets following specific waste collection and never end up in rubbish bins |

Contractual warranty

| | |
|----------|-----------|
| Warranty | 18 months |
|----------|-----------|

Modules Mounted on Racks

Dimensions



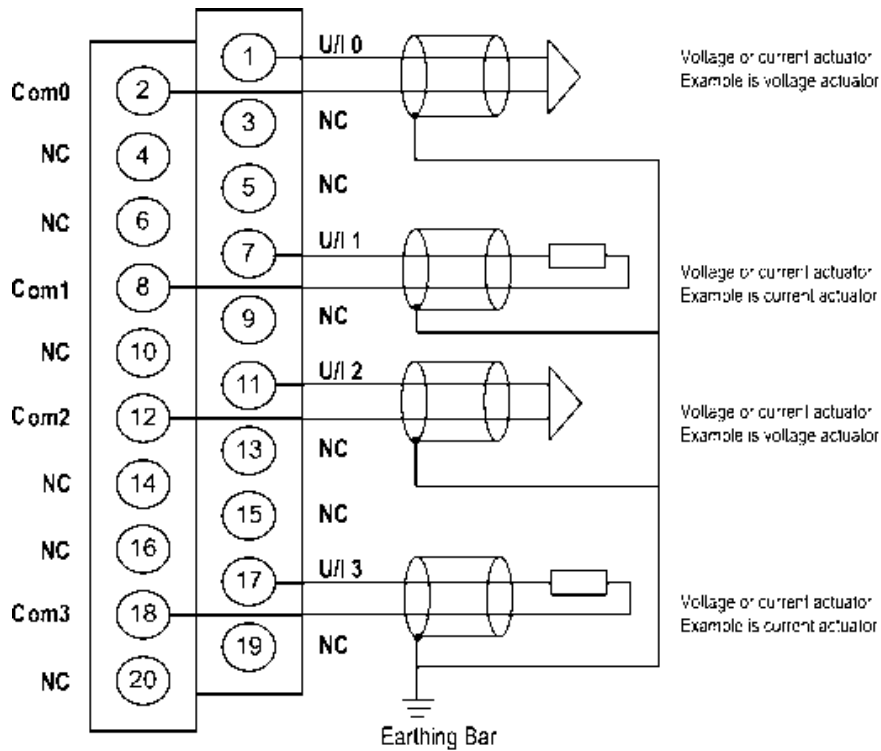
(1) With removable terminal block (cage, screw or spring).

(2) With FCN connector.

(3) On AM1 ED rail: 35 mm wide, 15 mm deep. Only possible with BMXXBP0400/0400H/0600/0600H/0800/0800H rack.

| Rack references | a in mm | a in in. |
|----------------------------|---------|----------|
| BMXXBP0400 and BMXXBP0400H | 242.4 | 09.54 |
| BMXXBP0600 and BMXXBP0600H | 307.6 | 12.11 |
| BMXXBP0800 and BMXXBP0800H | 372.8 | 14.68 |
| BMXXBP1200 and BMXXBP1200H | 503.2 | 19.81 |

Wiring Diagram



U/Ix + pole input for channel x

COMx - pole input for channel x

Channel 0 Voltage actuator

Channel 1 Current actuator

The current loop is self-powered by the output and does not request any external supply.