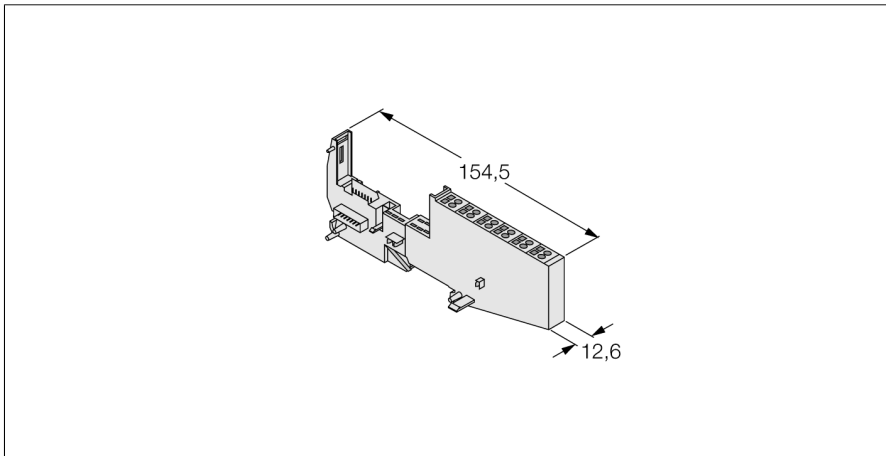


BL20 base module
tension spring connection technology
BL20-S6T-SBCSBC



- Passive connection components for sensors and actuators
- Quick replacement of electronics in wired state
- Mechanical coding prevents plugging of wrong electronic module
- Protection class IP20
- Tension spring connection
- Disc design
- Access to C rail

Type	BL20-S6T-SBCSBC
Ident-No.	6827064
Ident-No (TUSA)	M6827064
<hr/>	
Protection class	IP20