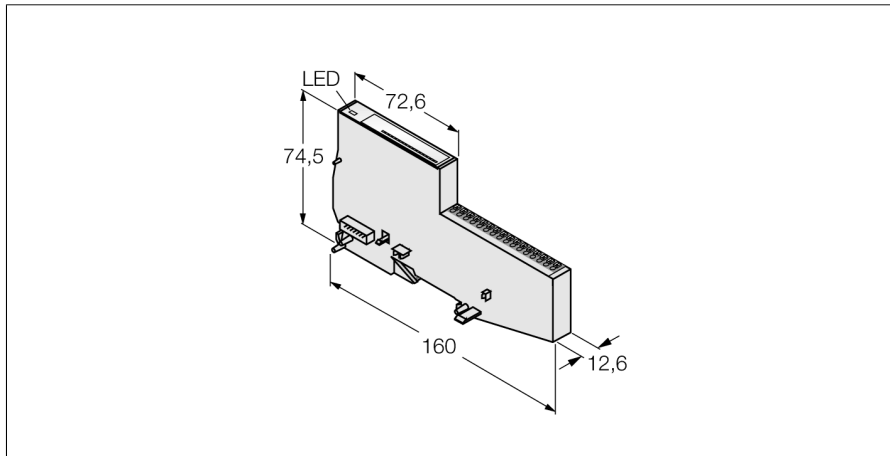


BL20 Economy Module
16 Digital Inputs, PNP
BL20-E-16DI-24VDC-P



- Fieldbus-independent
- Electronics and connection technology in one housing
- Connectivity: Push-in terminals
- Protection class IP20
- 16 digital inputs, 24 VDC
- P switching

Functional principle

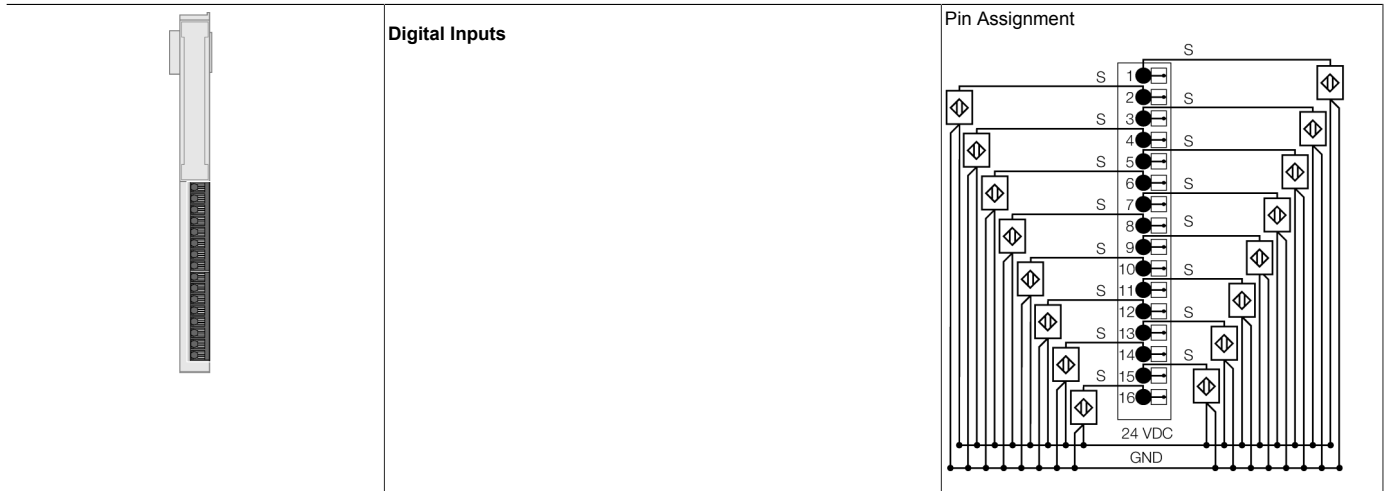
Electronics and connection technology are integrated in the housing. A base module is not needed. Economy modules and modules with separate electronics and connection technology can be fitted into a station, provided the base modules feature tension spring connections.

The use of gateways makes economy modules completely independent from the higher level fieldbus.

| | |
|--|--|
| Type | BL20-E-16DI-24VDC-P |
| ID | 6827231 |
| Number of channels | 16 |
| Rated voltage from the supply terminal | 24 VDC |
| Admissible range | 18...30 VDC |
| Nominal current from field supply | ≤ 3 mA |
| Nominal current from module bus | ≤ 15 mA |
| Power dissipation, typical | ≤ 1.5 W |
| Input type | PNP |
| Low level signal voltage | -30...+5 V |
| High level signal voltage | 11...30 V |
| Low level signal current | -1...+1.5 mA |
| High level signal current | 2...5 mA |
| Input delay | < 0.3 ms |
| Electrical isolation | electronics for the field level |
| Output connectivity | Push-in |
| Dimensions (W x L x H) | 12.6 x 160 x 74.6 mm |
| Approvals | CE, cULus, zone 2, Class I, Div. 2 |
| Ambient temperature | 0...+55 °C |
| Storage temperature | -25...+85 °C |
| Relative humidity | 15...95 %, no condensation allowed |
| Vibration test | Acc. to EN 61131 |
| Shock test | Acc. to IEC 60068-2-27 |
| Drop and topple | acc. to IEC 68-2-31 and free fall to IEC 68-2-32 |
| Electromagnetic compatibility | Acc. to EN 50082-2 |
| Protection class | IP20 |
| MTTF | 784 years acc. to SN 29500 (Ed. 99) 20 °C |

BL20 Economy Module
16 Digital Inputs, PNP
BL20-E-16DI-24VDC-P

Terminal assignment



BL20 Economy Module
16 Digital Inputs, PNP
BL20-E-16DI-24VDC-P

Accessories

| Type code | Ident-No. | | Dimension drawing |
|---------------|-----------|--|-------------------|
| BL20-E-16UL | 100001337 | BL20 ECO module with 16 connection terminals for wiring 24 VDC potential from the UL field supply | |
| BL20-E-16GNDL | 100001338 | BL20 ECO module with 16 connection terminals for wiring GND potential from the UL field supply | |
| BL20-E-10UL | 100001335 | BL20 ECO module with 10 connection terminals for wiring 24 VDC potential from the UL field supply | |
| BL20-E-10GNDL | 100001336 | BL20 ECO module with 10 connection terminals for wiring GND potential from the UL field supply | |