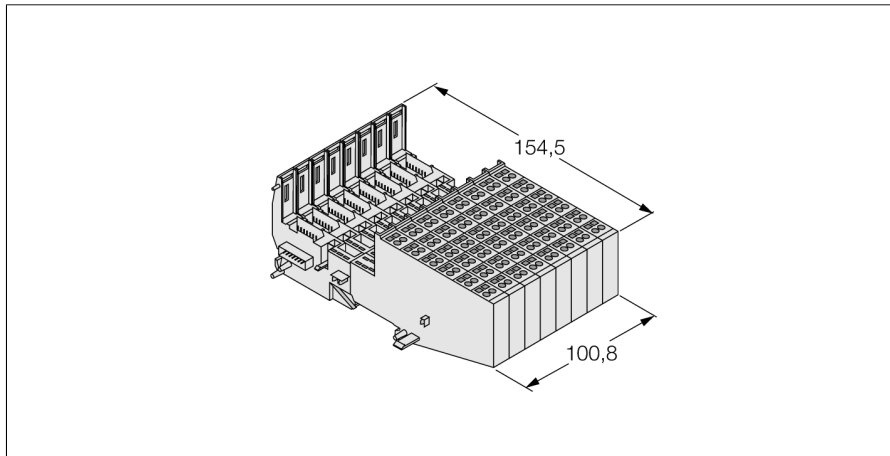


BL20 base module
screw connection technology
BL20-B6S-SBCSBC



- Passive connection components for sensors and actuators
- Quick replacement of electronics in wired state
- Mechanical coding prevents plugging of wrong electronic module
- Protection class IP20
- Screw connection
- Block design
- Access to C rail

Type	BL20-B6S-SBCSBC
Ident-No.	6827219
Ident-No (TUSA)	M6827219
<hr/>	
Protection class	IP20