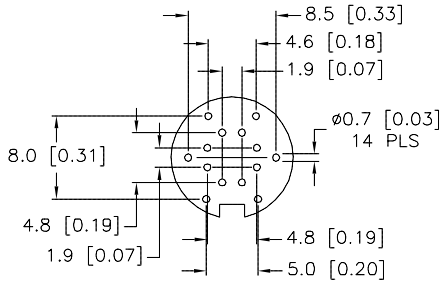
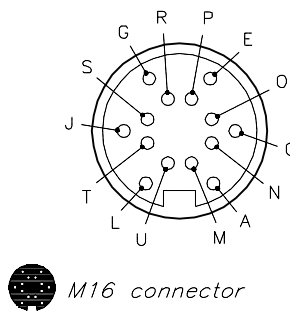


PCB BOARD LAYOUT

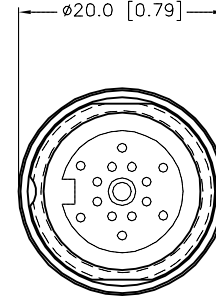
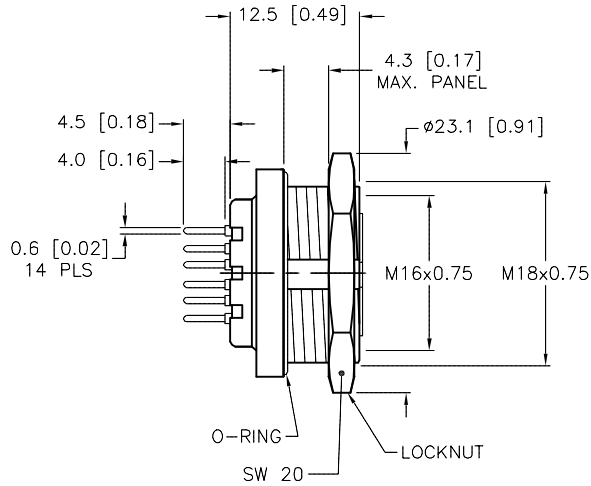


FEMALE END VIEW

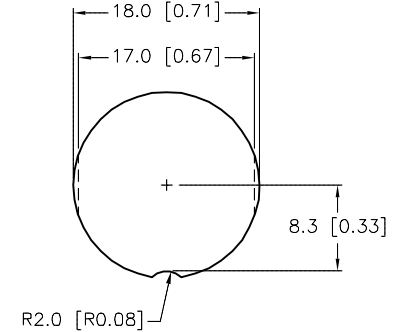


SPECIFICATIONS

CONTACT CARRIER MATERIAL	TPU
CONTACT MATERIAL/PLATING	COPPER ALLOY/GOLD
HOUSING MATERIAL/PLATING	BRASS/NICKEL
RATED CURRENT [A]	3.0 A
RATED VOLTAGE [V]	60 V AC/DC
CONDUCTORS	PCB PINS
TEMPERATURE RANGE	-30°C to +80°C (-22°F to +176°F)
PROTECTION CLASS	MEETS IEC IP67



END VIEW
LOCKNUT NOT SHOWN



MOUNTING HOLE

SOURCE DRAWING - FOR REFERENCE ONLY

RELATED DOCUMENTS		3RD ANGLE PROJECTION		THIS DRAWING IS CONFIDENTIAL AND THE PROPERTY OF TURCK INC. USE OF THIS DOCUMENT WITHOUT WRITTEN PERMISSION IS PROHIBITED.		 3000 CAMPUS DRIVE MINNEAPOLIS, MN 55441 1-800-544-7769 (763) 553-7300 (763) 553-0708 fax turck.com	
1. 2. 3. 4.				DRFT JBJ DATE 01/21/04		DESCRIPTION BKFD 14-PCB	
MATERIAL SEE SPECIFICATIONS		ALL DIMENSIONS DISPLAYED ON THIS DRAWING ARE FOR REFERENCE ONLY		APVD SCALE 1=1.7		IDENTIFICATION NO. U0930-11	
FINISH SEE SPECIFICATIONS		CONTACT TURCK FOR MORE INFORMATION		UNIT OF MEASUREMENT MILLIMETER [INCH]		REV C	
C UPDATE CONTACT CARRIER MATERIAL		KMY 02/19/13 41344		DO NOT SCALE THIS DRAWING		FILE: U0930-11	
REV DESCRIPTION		BY DATE ECO NO.				SHEET 1 OF 1	