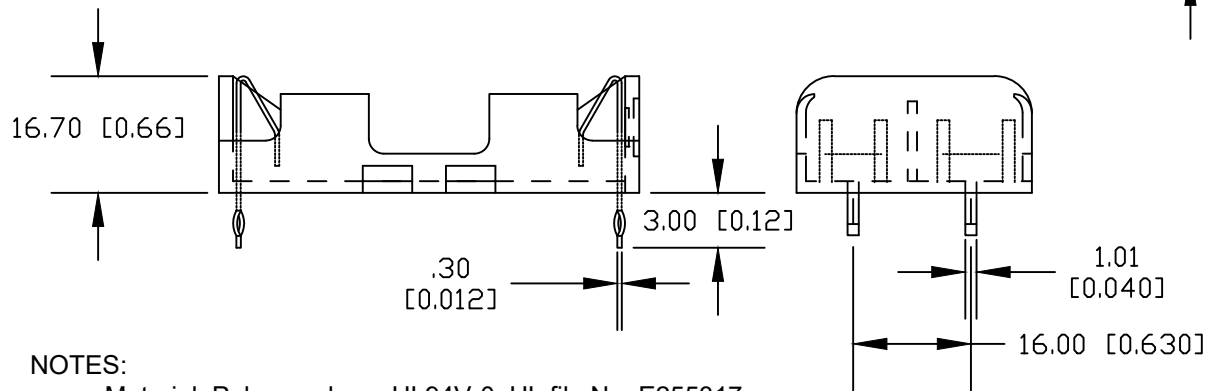


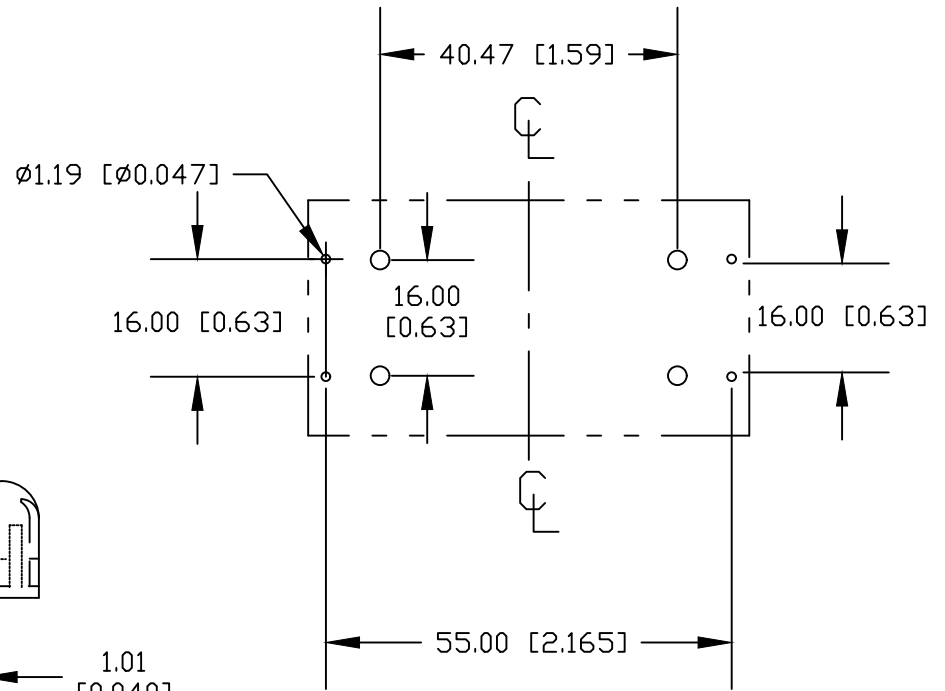
Estimated Weight: 8.73 g




NOTES:

- Material: Polypropylene, UL94V-0, UL file No. E255317
- Contacts: 302 Stainless Steel Spring Temper, Nickel Plated
- Cover: Polypropylene, UL94V-0
- Heat Deflection Temperature: 90°C
- Vibration Test: 10-50-10 Hz swept in 60 seconds
X,Y,Z direction: 1 hour each direction
- Result: No dislodgement of the cell or damage
No discontinuity over 10 micro-seconds
- Shock Test: Half sine wave acceleration 150G. 6 milliseconds
3 shock pulses each direction per axis, total of 18 pulses
- Result: No evidence of physical damage.
- ROHS COMPLIANT

Date	SYM	REVISION RECORD	AUTH	DR.	CK.
4/06/18	F	Dim. 55.21 was 54.49 Dim. 16.00 was 14.97	T.B.	B.S.	
6/11/18	G	UPDATED MOUNTING HOLE LOCATION AND DIMENSIONS	T.B.	B.S.	
04/12/19	H	MILLISECONDS WAS MICRO SECONDS	T.B.	B.S.	
04/20/21	J	DIM. 55.00 WAS 55.21 DIM. 40.47 WAS 46.64	T.B.	B.S.	



PCB LAYOUT

Tolerance (Inches)	 Memory Protection Devices, Inc 200 Broad Hollow Road, Farmingdale, New York 11735		
Decimal ±.5 (.020)	Scale	Drawn By B.S.	
Fractional ±.8 (.030)	Approved By T.B.		
Angular ± 3°	Title	2 "AA" BATTERY HOLDER FOR MEMORY BACKUP	
	Date	Drawing Number	
	04/12/19	BK-6100-PC4	