

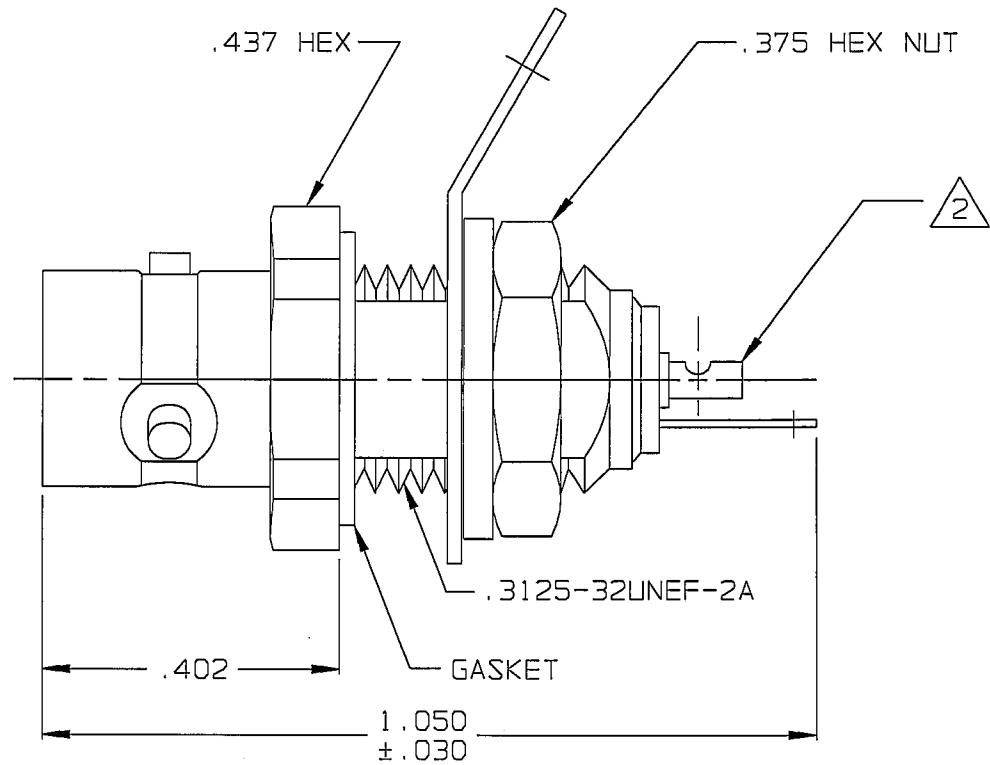
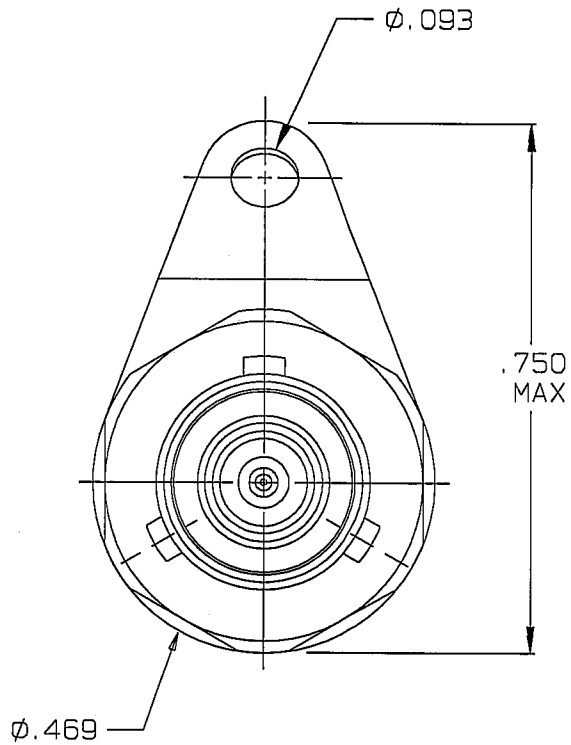
DATA CONTAINED IN THIS DOCUMENT IS PROPRIETARY TO TROMPETER ELECTRONICS INC. AND SHALL NOT BE DISCLOSED, COPIED OR USED FOR PROCUREMENT OR MANUFACTURE WITHOUT EXPRESS WRITTEN PERMISSION OF TROMPETER ELECTRONICS INC.

REVISIONS

3-0027

SH 1

REV	DESCRIPTION	DATE	APPROVED
N	REVISED PER ECD 14980	3/10/03	WJZ

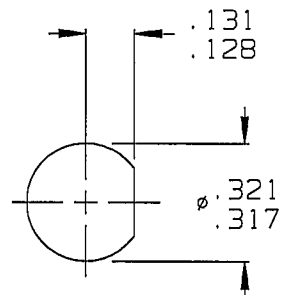


RED INDICATES ORIGINAL

3. SUBMINATURE TRIAXIAL SOLDER POT BULKHEAD RECEPTACLE (TPS STYLE)

2 SOLDER POT ACCEPTS ϕ .034 MAX CONDUCTOR

1. MAX PANEL THK: .187



RECOMMENDED PANEL CUTOUT SCALE: 1/2

INTERPRET DRAWING PER MIL-STD-100 DIMENSIONS ARE IN INCHES AND INCLUDE FINISH THICKNESS UNLESS OTHERWISE SPECIFIED		TOL: UNLESS SPECIFIED .XX .XXX ± .005 .XXXX ANGLES					
DRAWN AAH	DATE 3-17-03	MATERIAL:				TITLE: BJ157	
CHECKED JCM	DATE 3-17-03	FINISH:		SIZE A	CAGE CODE 14949	DRAWING NO. 3-0027	REV. N
QUALITY WJZ	DATE 3/18/03	DO NOT SCALE DWG		SCALE NONE	DATE 12-22-75	SHEET 1C	
MANUF WJZ	DATE 3/18/03	CAD FILE NO. 3-0027N					