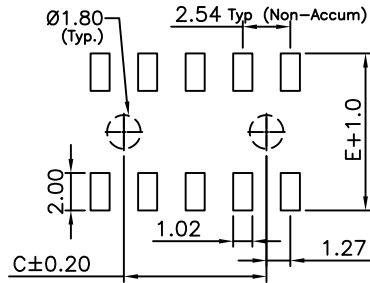
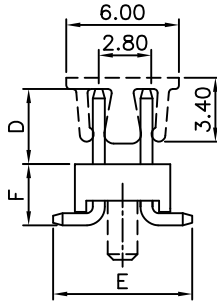
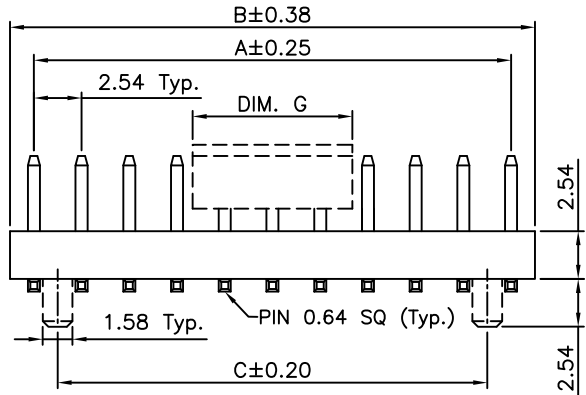
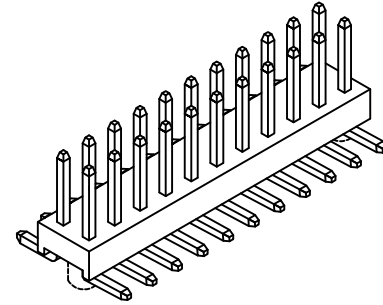


DIM. G	NOTE
5mm	02-06 Pins
8.50mm	08-40 Pins



RECOMMENDED PCB LAYOUT

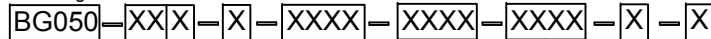


CONTACTS	DIMENSIONS		
	A	B	C
4	2.54	5.08	---
6	5.08	7.62	2.54
8	7.62	10.16	5.08
10	10.16	12.70	7.62
12	12.70	15.24	10.16
14	15.24	17.78	12.70
16	17.78	20.32	15.24
18	20.32	22.86	17.78
20	22.86	25.40	20.32
22	25.40	27.94	22.86
24	27.94	30.48	25.40
26	30.48	33.02	27.94
28	33.02	35.56	30.48
30	35.56	38.10	33.02
32	38.10	40.64	35.56
34	40.64	43.18	38.10
36	43.18	45.72	40.64
38	45.72	48.26	43.18
40	48.26	50.80	45.72
42	50.80	53.34	48.26
44	53.34	55.88	50.80
46	55.88	58.42	53.34
48	58.42	60.96	55.88
50	60.96	63.50	58.42
52	63.50	66.04	60.96
54	66.04	68.58	63.50
56	68.58	71.12	66.04
58	71.12	73.66	68.58
60	73.66	76.20	71.12
62	76.20	78.74	73.66
64	78.74	81.28	76.20
66	81.28	83.82	78.74
68	83.82	86.36	81.28
70	86.36	88.90	83.82
72	88.90	91.44	86.36
74	91.44	93.98	88.90
76	93.98	96.52	91.44
78	96.52	99.06	93.98
80	99.06	101.60	96.52

SPECIFICATIONS 规格

CURRENT RATING 电流额定值: 3.0 AMPERE  
 INSULATION RESISTANCE 绝缘电阻值: 1000MΩ Min.  
 DIELECTRIC WITHSTANDING 耐电压: 600V AC  
 CONTACT RESISTANCE 接触电阻值: 20mΩ Max.  
 OPERATING TEMPERATURE 工作温度: -40°C TO +105°C  
 CONTACT MATERIAL 端子物料: COPPER ALLOY  
 CONTACT PLATING: GOLD/TIN OVER NICKEL  
 INSULATOR MATERIAL 绝缘体物料:  
 STANDARD 标准物料: POLYAMIDE 聚酰胺, NYLON 6T, UL 94-V0  
 OPTIONS 可选物料: POLYESTER 聚酯, LCP, UL 94-V0  
 SOLDERING PROCESS 可焊性:  
 NYLON 6T (STANDARD 标准物料) -  
 IR REFLOW 回流焊: 260°C for 10 sec.  
 WAVE 波峰焊: 230°C for 5-10 sec.  
 MANUAL SOLDER 人工焊接: 350°C for 3-5sec  
 LCP (OPTION 可选物料) -  
 IR REFLOW 回流焊: 260°C for 10 sec.   
 WAVE 波峰焊: 250°C for 5-10 sec  
 MANUAL SOLDER 人工焊接: 350°C for 3-5 sec   
 MATES WITH 配套之母座 (SUBJECT TO PIN LENGTH 在端子长度适合的条件下):  
 BG120 BG140 BG150 BG151 BG160  
 BG165 BG170 BG175 BG180 BG185  
 BG190 BG195 BG200 BG210

Ordering Grid



No. of Contacts  
04 to 80

Contact Plating  
A = Gold Flash All Over  
B = Selective Gold Flash  
Contact Area/Tin On Tail  
C = Tin All Over  
G = 10µ" Gold Contact Area/Tin On Tail  
I = 30µ" Gold Contact Area/Tin On Tail  
**Standard = Gold Flash All Over**

Locating Peg  
0 = No Peg  
1 = With Peg

Dimension D (1/100mm)   
(Post Height)  
**Standard - 4.50mm = 0450**  
**Standard - 6.50mm = 0650**  
Or specify Dimension D  
e.g. 2.50mm = 0250  
TOL.: ±0.2mm

Dimension E (1/100mm)  
(Footprint Width)  
**Standard - 7.37mm = 0737**  
Or specify Dimension E  
e.g. 2.50mm = 0250  
TOL.: ±0.2mm

Insulator Material  
**N = Nylon 6T (Standard)**  
L = LCP

Packing Options  
**B = Tape and Reel with Cap (Standard)**  
D = Tube  
E = Tube with Cap

Dimension F (1/100mm)  
(PCB to Top of Insulator)  
**Standard - 3.50mm = 0350**   
Or specify Dimension F  
e.g. 2.50mm = 0250  
TOL.: ±0.2mm

REQUEST SAMPLES AND QUOTATION

By	LYH	CB	DR	AE
DETAIL	DRAWING RELEASE	PACKING OPTIONS CHANGED	CHANGE TO SOLDER TEMP. INFORMATION	AMENDMENT TO STANDARD DIMENSIONS
REV DATE	A 30/10/06	B 27/04/09	C 05/08/09	D 08/12/09



Tolerances (Except as noted)	Part Number:-	Date:-
Dimensions in mm	BG050	30 OCT 06
X. ± 0.30 X.° ± 5°	Description:- 2.54mm PITCH PIN HEADER, DUAL ROW, SURFACE MOUNT, VERTICAL	THIS DRAWING IS CONFIDENTIAL AND MUST NOT BE COPIED OR DISCLOSED WITHOUT WRITTEN CONSENT
X.X ± 0.20 X.° ± 2°		
X.XX ± 0.15 XX° ± 1°		
X.XXX ± 0.10 XXX° ± 0.5°		
Third Angle Projection	Scale NTS	Revision D



www.globalconnectortech.com

Scale	Revision	Material	Drawn by	Sheet No.
NTS	D	See Note	LYH	E & OE 1/1