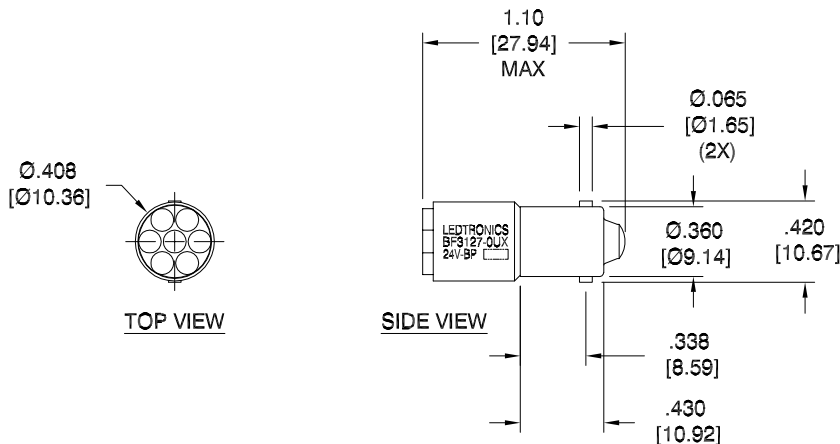


LTR	REVISION	DATE	APPD
A	053118-GP01: UPDATED TEST DATA	07-11-18	GP



NOTES:

1. ALL DIMENSIONS ARE IN INCHES (MILLIMETERS).
2. SLEEVE MATERIAL: RYNITE FR530 (UL94V-1 MINIMUM, UL94V-0 PREFERRED)
3. BASE MATERIAL: (BODY) BRASS & NICKEL PLATED BRASS (BARREL)
4. OPERATING TEMPERATURE: ~-30°C to ~+50°C

REVISION NOTIFICATION	
<input type="checkbox"/> DLC	
<input type="checkbox"/> UL/ETL	
<input type="checkbox"/> MADE IN USA	
<input type="checkbox"/> CUSTOMER _____	
<input type="checkbox"/> OTHER	
REDLINE CHECKLIST	
<input type="checkbox"/> REDLINE(YES)	
<input type="checkbox"/> DATE: _____	
<input type="checkbox"/> INITIATED BY: _____	
<input type="checkbox"/> ECR REQUIRED YES <input type="checkbox"/> NO <input type="checkbox"/>	
<input type="checkbox"/> WORK ORDER# _____	

ELECTRICAL - OPTICAL CHARACTERISTICS (Ta = 25°C)

BF3127-0UG-024B	SUPER GREEN	24Vdc	0.38 W	0.016 A	0.336cd	574	110°
BF3127-0UO-024B	SUPER ORANGE	24Vdc	0.46 W	0.019 A	4.323cd	611	120°
BF3127-0UR-024B	ULTRA RED	24Vdc	0.46 W	0.019 A	0.864cd	654	110°
BF3127-0UY-024B	SUPER YELLOW	24Vdc	0.46 W	0.019 A	1.942cd	593	120°
LEDTRONICS PART NO.	COLOR EMITTED	INPUT VOLTAGE, V	POWER (W)	CURRENT (A)	MAXIMUM CANDELA	λ P nm	VIEWING ANGLE (FULL BEAM WIDTH @ 50% INTENSITY)

<p>LEDTRONICS,™ INC. 23105 KASHIWA COURT TORRANCE, CA 90505</p>	<p>-PROPRIETARY- This document contains Proprietary information of LEDTRONICS,™ INC. It may not be copied, used or disclosed for any purpose without the prior express written consent of LEDTRONICS,™ INC.</p> <p>.XXX ± .010 TOLERANCE PER ANSI-Y14.5 .XX ± .025 (UNLESS OTHERWISE STATED) ANGLES ± 0°,30' FRACT. ± 1/32</p>	<p>TITLE BF3127-0UX-024B</p>					
		DWG NO	SCALE	SHEET	DATE		
		BF3127-24V-BP	1:1	1 OF 1	07-05-18		
CODE IDENT NO.	DWG BY GP	CHK BY	QA EE	MFG LD	R&D KS		
8Z410	07-05-18		07-17-18	07-16-18	07-13-18		