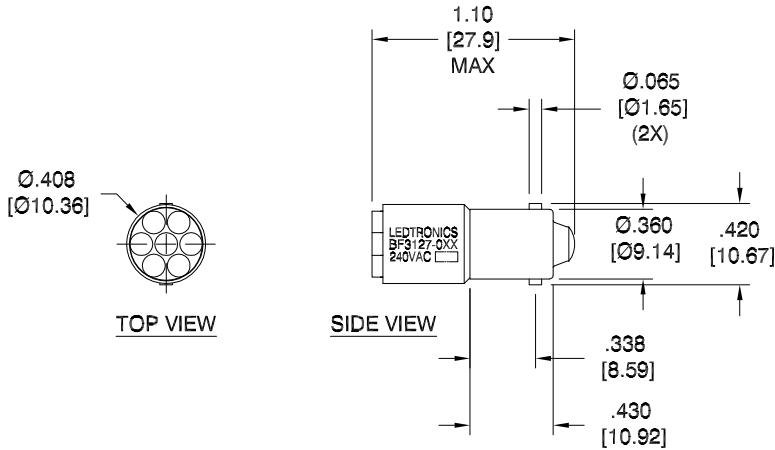


LTR	REVISION	DATE	APPD
A	053118-GP01: UPDATED TEST DATA	07-12-18	GP



NOTES:

1. ALL DIMENSIONS ARE IN INCHES (MILLIMETERS).
2. SLEEVE MATERIAL: RYNITE FR530 (UL94V-1 MINIMUM, UL94V-0 PREFERRED)
3. BASE MATERIAL: (BODY) BRASS & NICKEL-PLATED BRASS (BARREL)
4. OPERATING TEMPERATURE: $\sim -30^{\circ}\text{C}$ to $\sim +50^{\circ}\text{C}$

REVISION NOTIFICATION	
<input type="checkbox"/>	DLC
<input type="checkbox"/>	UL/ETL
<input type="checkbox"/>	MADE IN USA
<input type="checkbox"/>	CUSTOMER _____
<input type="checkbox"/>	OTHER _____
REDLINE CHECKLIST	
<input type="checkbox"/>	REDLINE(YES)
<input type="checkbox"/>	DATE: _____
<input type="checkbox"/>	INITIATED BY: _____
<input type="checkbox"/>	ECR REQUIRED YES <input type="checkbox"/> NO <input type="checkbox"/>
<input type="checkbox"/>	WORK ORDER# _____

ELECTRICAL - OPTICAL CHARACTERISTICS (Ta = 25°C)

BF3127-0AG-240A	AQUA GREEN	240Vac	0.22 W	0.003 A	0.476cd	522	105°
BF3127-0UR-240A	ULTRA RED	240Vac	0.26 W	0.004 A	0.048cd	654	110°
LEDTRONICS PART NO.	COLOR EMITTED	INPUT VOLTAGE, V	POWER (W)	CURRENT (A)	MAXIMUM CANDELA	λP nm	VIEWING ANGLE (FULL BEAM WIDTH @ 50% INTENSITY)

<p>LEDTRONICS, TM INC. 23105 KASHIWA COURT TORRANCE, CA 90505</p>	<p align="center">-PROPRIETARY- This document contains Proprietary information of LEDTRONICS, INC. It may not be copied, used or disclosed for any purpose without the prior express written consent of LEDTRONICS, INC.</p> <p>.XXX ± .010 TOLERANCE PER ANSI-Y14.5 .XX ± .025 (UNLESS OTHERWISE STATED) ANGLES ± 0°,30' FRACT. ± 1/32</p>	<p align="center">TITLE BF3127-0XX-240A</p>					
		DWG NO	SCALE	SHEET	DATE		
		BF3127-240VAC	1:1	1 OF 1	04-08-16		
CODE IDENT NO.	DWG BY GP	CHK BY	QA EE	MFG LD	R&D KS		
8Z410	04-08-16		07-17-18	07-16-18	07-13-18		