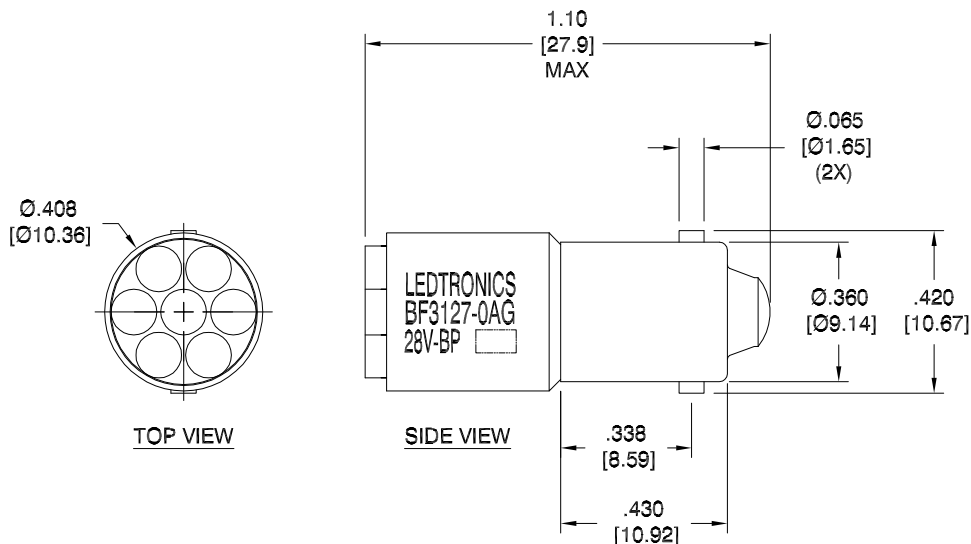


LTR	REVISION	DATE	APPD
-	RELEASED (REF. ECR#060121-UF01)	06-01-21	



NOTES:

1. ALL DIMENSIONS ARE IN INCHES (MILLIMETERS).
2. SLEEVE MATERIAL / COLOR: RYNITE FR530 (UL94V-1 MINIMUM, UL94V-0 PREFERRED) / GREEN
3. BASE MATERIAL: (BODY) BRASS & NICKEL-PLATED BRASS (BARREL)
4. OPERATING TEMPERATURE: ~-30°C to ~+50°C

REVISION NOTIFICATION	
<input type="checkbox"/>	DLC
<input type="checkbox"/>	UL/ETL
<input type="checkbox"/>	MADE IN USA
<input type="checkbox"/>	CUSTOMER _____
<input type="checkbox"/>	OTHER _____
REDLINE CHECKLIST	
<input type="checkbox"/>	REDLINE(YES)
<input type="checkbox"/>	DATE: _____
<input type="checkbox"/>	INITIATED BY: _____
<input type="checkbox"/>	ECR REQUIRED YES <input type="checkbox"/> NO <input type="checkbox"/>
<input type="checkbox"/>	WORK ORDER# _____

ELECTRICAL - OPTICAL CHARACTERISTICS (Ta = 25°C)

BF3127-0AG-028B	AQUA GREEN	28Vdc	0.56 W	0.020 A	10.500cd	522nm	105°
		28Vac	0.80 W	0.033 A	1.75cd	528nm	110°
LEDTRONICS PART NO.	COLOR EMITTED	INPUT VOLTAGE, V	POWER (W)	CURRENT (A)	LUMINOUS INTENSITY	λP nm	VIEWING ANGLE (FULL BEAM WIDTH @ 50% INTENSITY)

 LEDTRONICS,™ INC. 23105 KASHIWA COURT TORRANCE, CA 90505	-PROPRIETARY- This document contains Proprietary information of LEDTRONICS, INC. It may not be copied, used or disclosed for any purpose without the prior express written consent of LEDTRONICS, INC.		TITLE BF3127-0AG-028B				
	.XXX ± .010 TOLERANCE PER ANSI-Y14.5 .XX ± .025 (UNLESS OTHERWISE STATED) ANGLES ± 0°,30' FRACT. ± 1/32		DWG NO	SCALE	SHEET	DATE	
			BF3127-28VAC-DC	2:1	1 OF 1	06-01-21	
		CODE IDENT NO.	DWG BY GP	CHK BY	QA SB	MFG LD	R&D UF
		8Z410	06-01-21		06-01-21	06-01-21	06-01-21