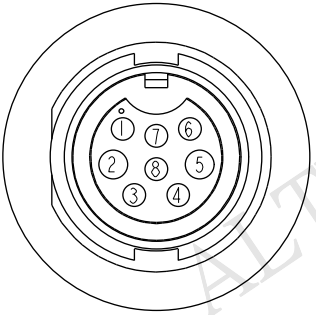
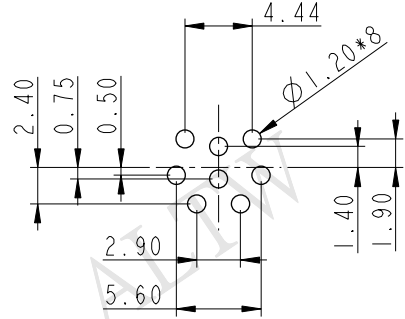
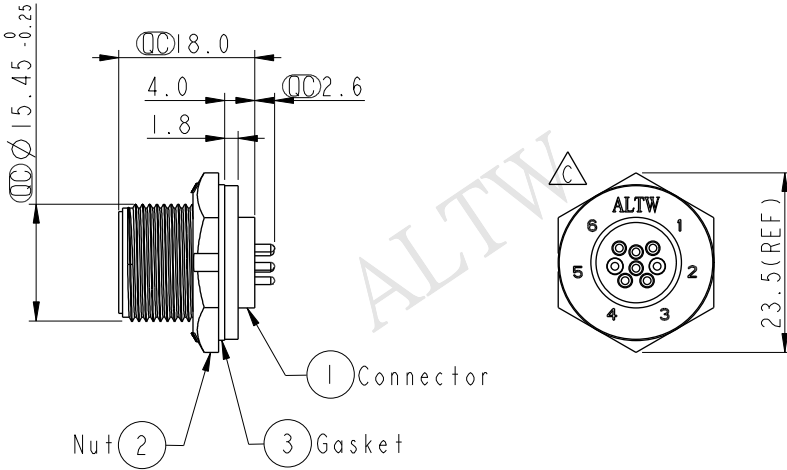
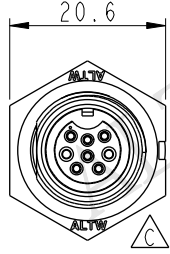
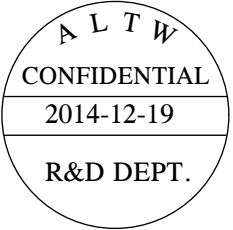
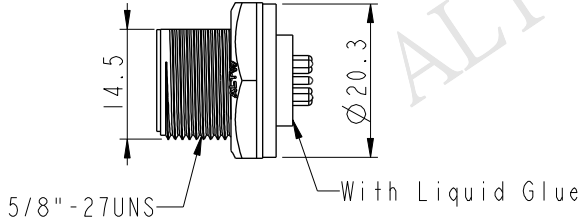


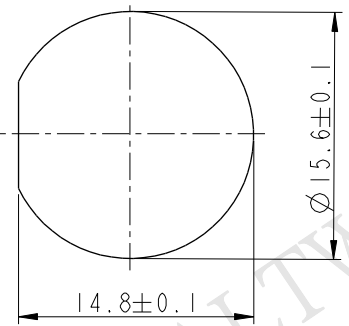
REV.	ECN NO.	DATE	SIGN	DESCRIPTION
B	LEN-8B0463	2008/09/22	Shin	Add Note
C	LEN1550038	2014/12/19	Vicky	Update Logo



PIN ASSIGNMENTS
FRONT VIEW前視圖



8Pin Male Connector
Female Pin PCB Layout
8 Pin 公接頭
PCB 挖孔位置尺寸圖



Recommended Panel Cut-out

- Note:
- * \varnothing Important Dimension To Check.
 - * Waterproof Rate: IP67
 - * Housing: Nylon+GF, Black
 - * Female Pin: Copper Alloy, Gold Plated $\triangle B^*$ Use With Waterproof Cap Or Dust Cap For Panel Thickness Max: 3.0mm
 - * Gasket: EPDM, Black $\triangle B^*$ Use Without Waterproof Cap Or Dust Cap For Panel Thickness Max: 4.0mm
 - * Nut: Nylon+GF, Black
 - * Liquid Glue: Clear

A	UNIT: mm	TITLE Standard, Panel Screw 8Pin M Conn F Pin		Amphenol LTW		ITEM NO BDU-08PMFP-SC7001	DRAWN BY Vicky	DATE 2014-12-19
	TOLERANCE .X ±0.25 .XX ±0.1 .XXX ±0.05 ANGLES ±1°	SCALE 1:1	SIZE A4	SHEET 1	OF 1	DWG NO BDU-08PMFP-SC7001	CHECKED BY Sam	DATE 2014-12-19
	REV. C	WC-REV. A.2	\varnothing : Inspection item		CUSTOMER ALTW	APPROVED BY Rita	DATE 2014-12-19	
					安費諾亮泰企業股份有限公司			

THIS DOCUMENT IS SUBJECT TO CHANGE WITHOUT NOTICE. IT IS CONFIDENTIAL AND A PROPERTY OF Amphenol LTW. DISCLOSURE TO THIRD PARTY HAS TO BE AUTHORIZED BY Amphenol LTW.