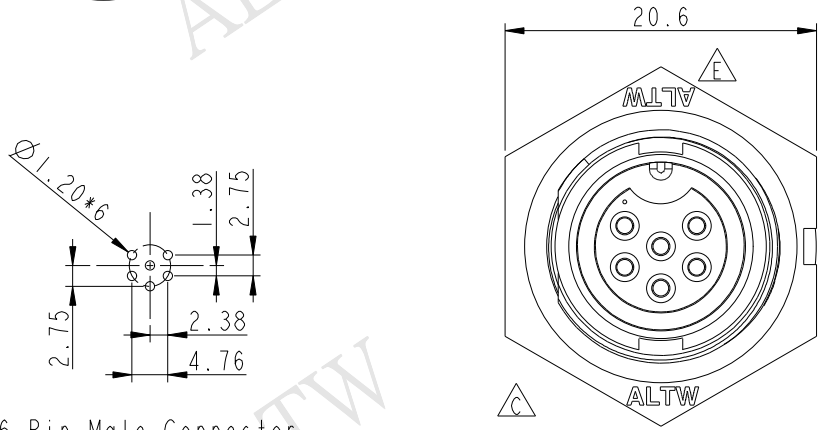
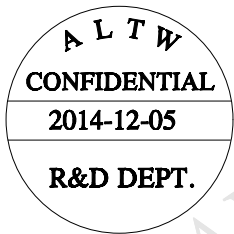
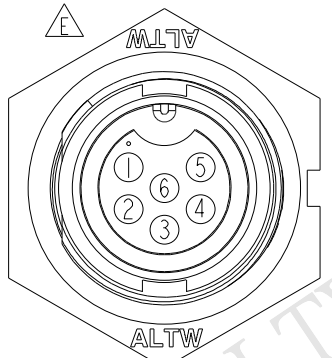
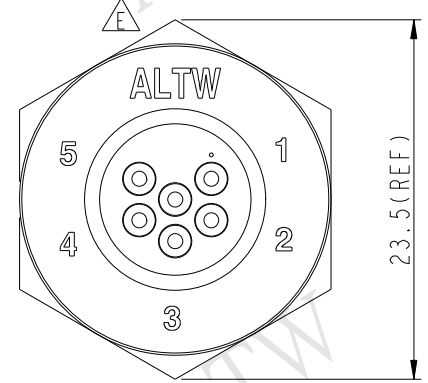
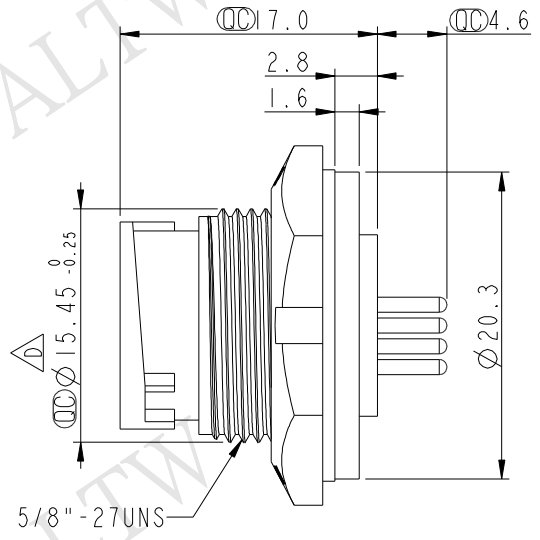


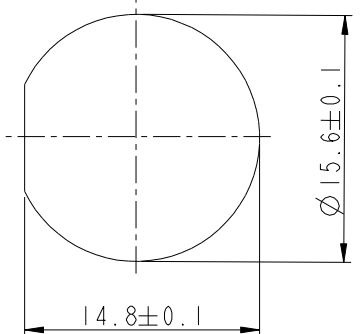
REV.	ECN NO.	DATE	SIGN	DESCRIPTION
C	LE3-8C0041	2008/11/07	Ivan	Change To Pin Hole
D	LEN-930920	2009/03/10	Jiang Jun Hua	Change Tolerance
E	LEN1540270	2014/12/05	Jinhai	Change Logo LTW To ALTW



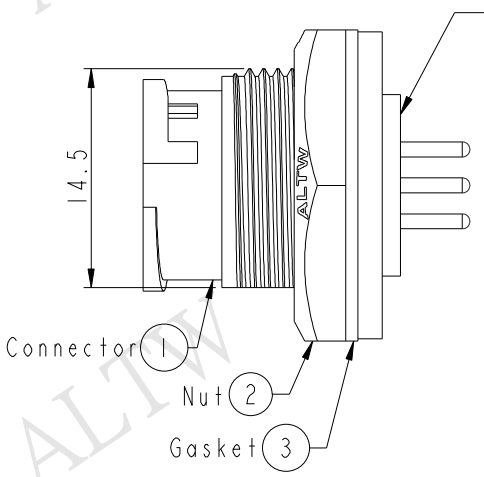
6 Pin Male Connector
Female Pin PCB Layout



Pin Assignments
Front View



Recommended Panel Cut-out



- Note:
- * CC Important Dimension To Check.
 - * Waterproof Rate: IP67
 - * Housing: Nylon+GF, Black
 - * Pin: Copper Alloy, Gold Plated
 - * Nut: Nylon+GF
 - * Gasket: EPDM, Black
 - $\triangle B$ * Use With Waterproof Cap Or Dust Cap
Panel Thickness Max: 3.0mm
 - $\triangle A$ * Use Without Waterproof Cap Or Dust Cap
Panel Thickness Max: 4.5mm

UNIT:mm	
TOLERANCE	
.X	±0.25
.XX	±0.1
.XXX	±0.05
ANGLES	±1°

TITLE Standard Panel Lock 6Pin M Conn F Pin			
SCALE 2:1	SIZE A4	SHEET 1 OF 1	
REV. E	WC-REV. A.2	CC : Inspection item	

Amphenol LTW
安費諾亮泰企業股份有限公司

ITEM NO BD-06PMFP-LC7001	DRAWN BY Jinhai	DATE 2014-12-05
DWG NO BD-06PMFP-LC7001	CHECKED BY Tom	DATE 2014-12-05
CUSTOMER ALTW	APPROVED BY Jerry	DATE 2014-12-05

THIS DOCUMENT IS SUBJECT TO CHANGE WITHOUT NOTICE. IT IS CONFIDENTIAL AND A PROPERTY OF Amphenol LTW. DISCLOSURE TO THIRD PARTY HAS TO BE AUTHORIZED BY Amphenol LTW.