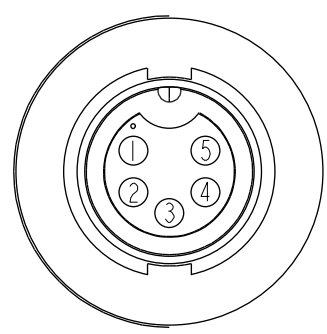
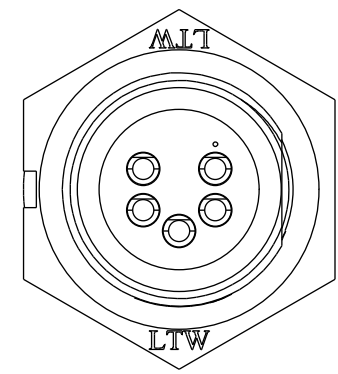
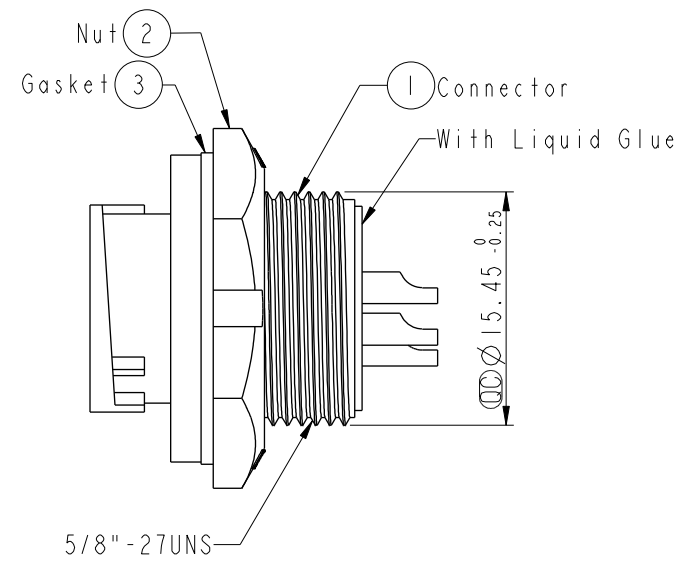
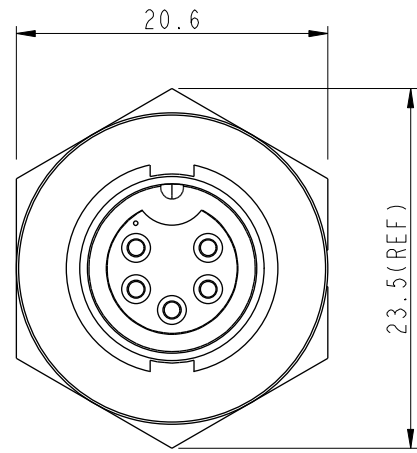


THIS DOCUMENT IS SUBJECT TO CHANGE WITHOUT NOTICE. IT IS CONFIDENTIAL AND A PROPERTY OF AMPHENOL LTW. DISCLOSURE TO THIRD PARTY HAS TO BE AUTHORIZED BY AMPHENOL LTW.

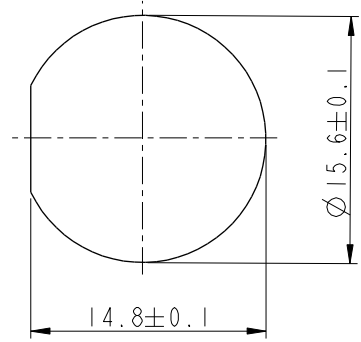
REV.	ECN NO.	DATE	SIGN	DESCRIPTION
B	LEN-8B0581	2008/09/10	Shin	Add Note

**ALTW**  
CONFIDENTIAL  
2012-03-22  
R&D DEPT.

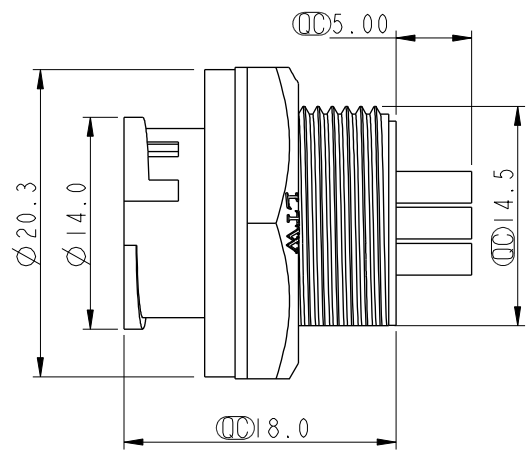
**ALTW**  
DCC. DEPT.  
CONFIDENTIAL  
2012-04-02  
ISSUED



Pin Assignments  
Front View



Recommended Panel Cut-out



Note:

- \*  $\varnothing$  Important Dimension To Check.
- \* Waterproof Rate: IP67
- \* Housing: Nylon+GF, Black
- \* Pin: Copper Alloy, Gold Plated
- \* Nut: Nylon+GF, Black
- \* Gasket: EPDM, Black

- $\triangle B$  \* Use With Waterproof Cap Or Dust Cap  
Panel Thickness Max: 4.0mm
- $\triangle B$  \* Use Without Waterproof Cap Or Dust Cap  
Panel Thickness Max: 5.0mm

UNIT: mm		
TOLERANCE	.X ±0.25	
	.XX ±0.1	
	.XXX ±0.05	
ANGLES	±1°	

TITLE Standard, Rear Lock 5P M Conn F Pin			
SCALE 2:1	SIZE A4	SHEET 1 OF 1	
REV. B	WC-REV. A.2	$\varnothing$ : Inspection item	

**Amphenol LTW**  
安費諾亮泰企業股份有限公司

ITEM NO. BD-05RMFS-LC7001	DWG NO. BD-05RMFS-LC7001	CUSTOMER ALTW
------------------------------	-----------------------------	------------------

DRAWN BY SamChang	CHECKED BY Jeffrey	APPROVED BY Lion
----------------------	-----------------------	---------------------

DATE 2012-03-22	DATE 2012-04-02	DATE 2012-04-02
--------------------	--------------------	--------------------