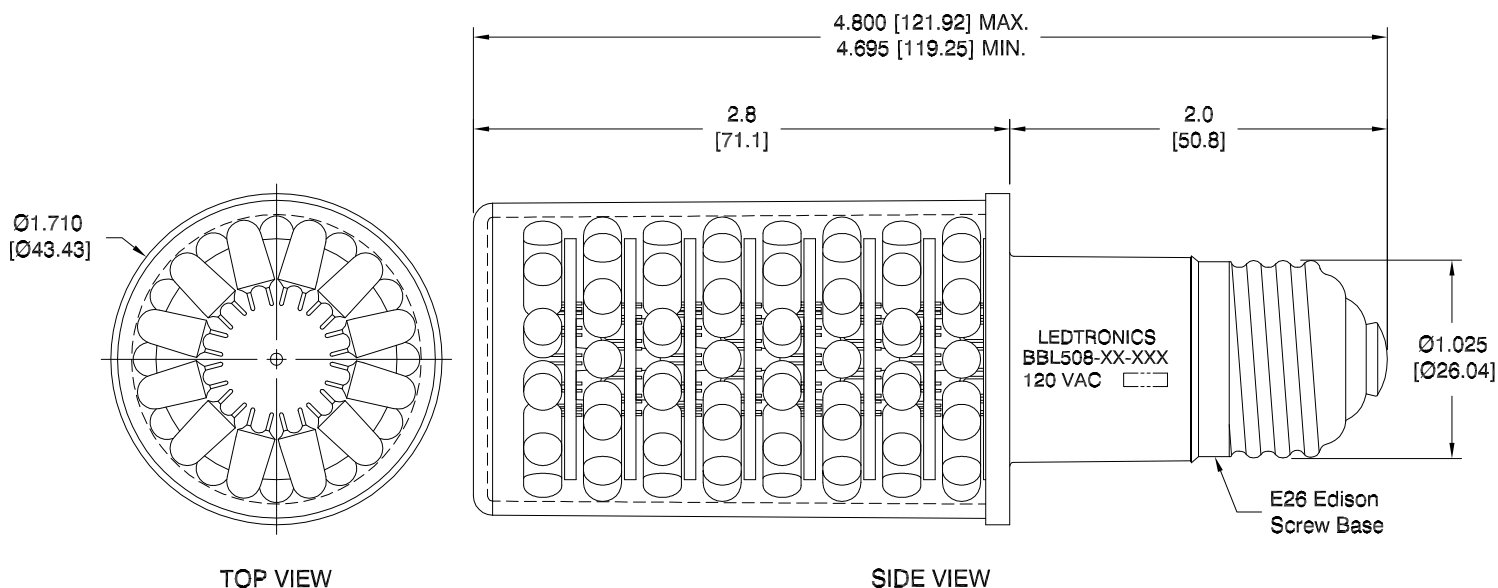


LTR	REVISION	DATE	APPD
C	081220-GP01: UPDATED TEST DATA ON P/N (OBG)	08-12-20	GP



**NOTES:**

1. ALL DIMENSIONS ARE IN INCHES [MILLIMETERS].
2. LENS MATERIAL / COLOR: UV POLYCARBONATE / CLEAR
3. SLEEVE MATERIAL: RYNITE FR530
4. BASE MATERIAL: NICKEL PLATED BRASS
5. AMBIENT OPERATING TEMPERATURE RANGE: ~-40°F to ~+176°F [~-40°C to ~+80°C]
6. WEIGHT: 0.21 lbs. / 3.4 oz.

REVISION NOTIFICATION	
<input type="checkbox"/>	DLC
<input type="checkbox"/>	UL/ETL
<input type="checkbox"/>	MADE IN USA
<input type="checkbox"/>	CUSTOMER _____
<input type="checkbox"/>	OTHER
REDLINE CHECKLIST	
<input type="checkbox"/>	REDLINE(YES)
<input type="checkbox"/>	DATE: _____
<input type="checkbox"/>	INITIATED BY: _____
<input type="checkbox"/>	ECR REQUIRED YES <input type="checkbox"/> NO <input type="checkbox"/>
<input type="checkbox"/>	WORK ORDER# _____

**ELECTRICAL-OPTICAL CHARACTERISTICS (Ta = 25°C)**

BBL508-03-02	AQUA GREEN	120Vac	2.88 W	0.045-0.060 A	10.2cd	182 lm	518nm
BBL508-05-02	SUPER BLUE	120Vac	2.88 W	0.045-0.060 A	2.775cd	56 lm	465nm
BBL508-06-02	COOL WHITE	120Vac	2.88 W	0.045-0.060 A	5.85cd	123 lm	8000K
BBL508-0BG-120A	BLUE GREEN	120Vac	3.60 W	0.045-0.060 A	-	130 lm	506nm
LEDTRONICS PART NO.	COLOR EMITTED	INPUT VOLTAGE, V	POWER (W)	CURRENT (A)	LIGHT OUTPUT PER LED Iv, CD	TOTAL LUMENS	λP nm COLOR TEMP. (K)

**LED**<sup>®</sup>  
**LEDTRONICS,™ INC.**  
 23105 KASHIWA COURT  
 TORRANCE, CA 90505

**-PROPRIETARY-**  
 This document contains Proprietary information of LEDTRONICS,™ INC. It may not be copied, used or disclosed for any purpose without the prior express written consent of LEDTRONICS,™ INC.

.XXX ± .010 TOLERANCE PER ANSI-Y14.5  
 .XX ± .025 (UNLESS OTHERWISE STATED)  
 ANGLES ± 0°,30'  
 FRACT. ± 1/32

TITLE <b>BBL508-0X-02 / BBL508-0BG-120A</b>							
DWG NO	SCALE	SHEET	DATE				
BBL508019-CUST	1:1	1 OF 1	01-20-11				
CODE IDENT NO.	DWG BY GP	CHK BY	QA LUV	MFG LD	R&D UF		
8Z410	01-20-11		08-24-20	08-24-20	08-12-20		