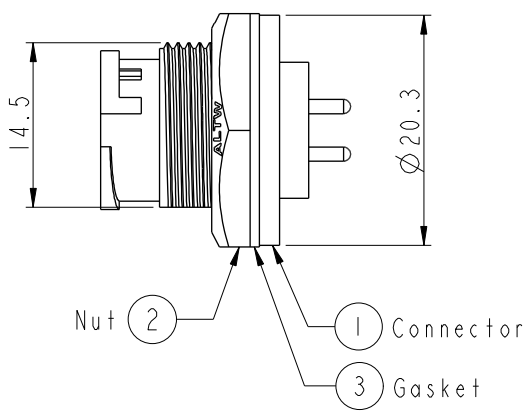
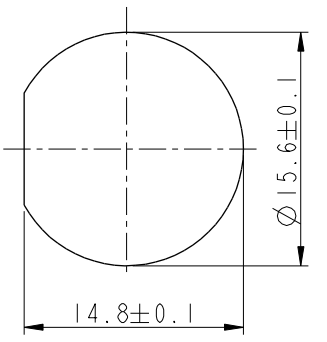
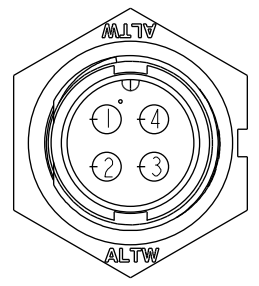
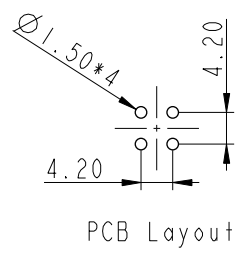
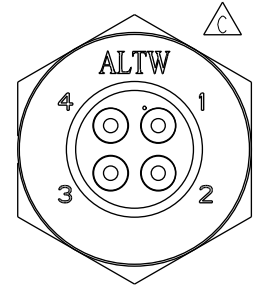
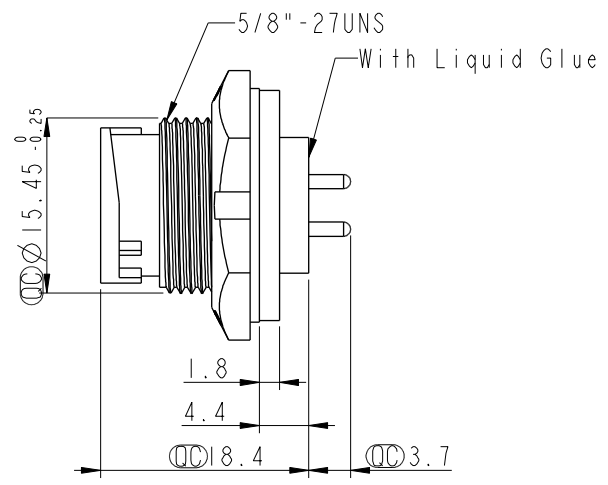
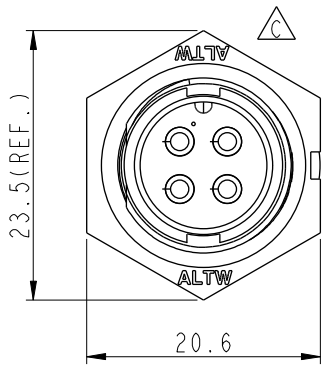


REV.	ECN NO.	DATE	SIGN	DESCRIPTION
B	LEN-8B0357	2008/09/17	Shin	Add Note and Update Drawing to New Format
C	LEN1730273	2017/03/17	Ruru	Change Logo



- Note:
- \*  $\varnothing$  Important Dimensions To Check.
  - \* Waterproof Rate : IP67
  - \* Housing: Black, Nylon+GF
  - \* Male Pin: Copper Alloy, Gold Plated
  - \* Nut: Black, Nylon+GF
  - \* Gasket: Black, EPDM
  - $\triangle A$ \* Use with Waterproof Cap or Dustcap  
Panel Thickness Max: 3.0mm
  - $\triangle B$ \* Use without Waterproof Cap or Dustcap  
Panel Thickness Max: 4.5mm

UNIT: mm		
TOLERANCE		
.X	±0.25	
.XX	±0.1	
.XXX	±0.05	
ANGLES	±1°	

TITLE Standard, Panel Lock 4Pin M Conn M Pin			
SCALE 1:1	SIZE A4	SHEET 1 OF 1	
REV. C	WC-REV. A.2	$\varnothing$ : Inspection item	

**Amphenol LTW**  
安費諾亮泰企業股份有限公司

ITEM NO. BB-04PMMP-LC7001	DRAWN BY Ruru	DATE 2017-03-17
DWG NO. BB-04PMMP-LC7001	CHECKED BY Rita	DATE 2017-03-17
CUSTOMER ALTW	APPROVED BY Max	DATE 2017-03-17

THIS DOCUMENT IS SUBJECT TO CHANGE WITHOUT NOTICE. IT IS CONFIDENTIAL AND A PROPERTY OF Amphenol LTW. DISCLOSURE TO THIRD PARTY HAS TO BE AUTHORIZED BY Amphenol LTW.