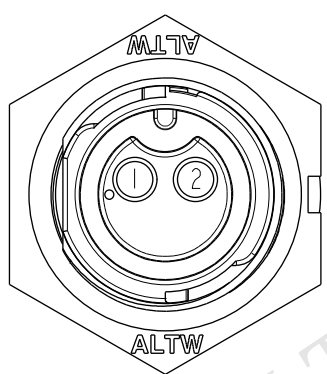
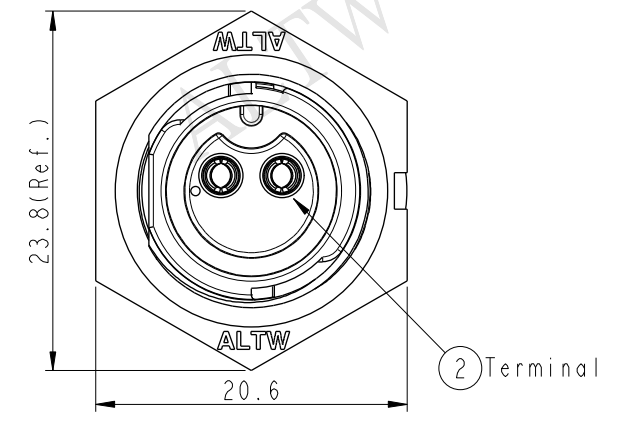
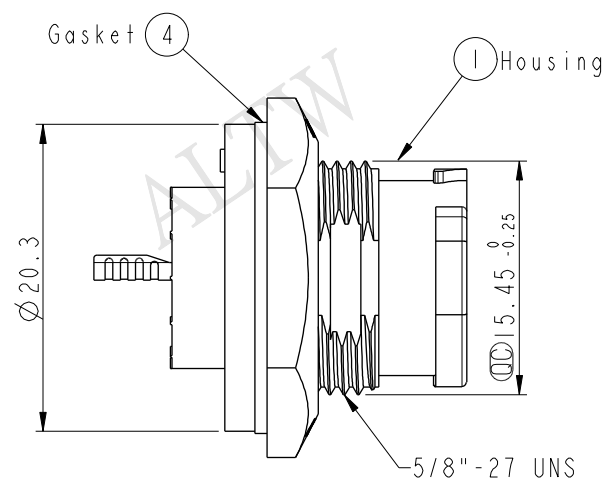
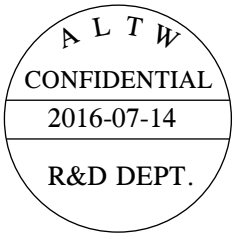
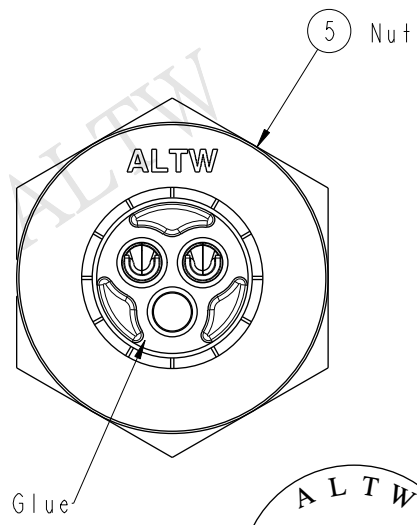
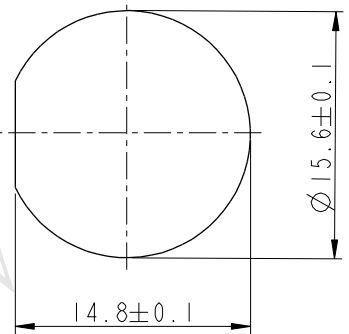


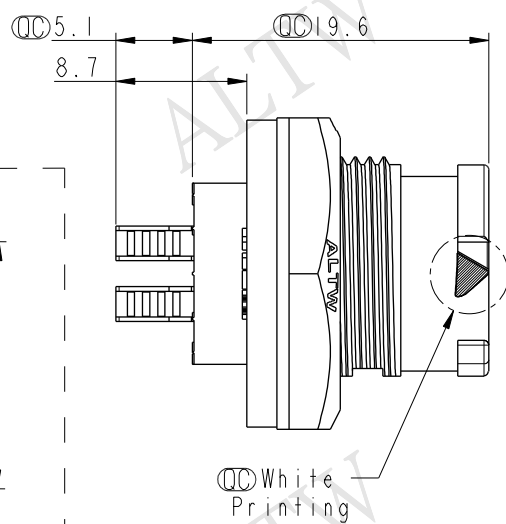
REV.	ECN NO.	DATE	SIGN	DESCRIPTION



Pin Assignments Front View



Recommended Panel Cut-out



- Note:
- \*  $\varnothing$  Important Dimension To Check.
  - \* Waterproof Rate: IP68(Unmated)  
In 1 meter water within 24 hours
  - \* Working Voltage Rating: AC 300 V
  - \* Working Current Rating: 10A
  - \* Housing: Nylon+GF, Black
  - \* Female Pin: Copper Alloy, Gold Plated
  - \* Nut: Nylon+GF, Black
  - \* Gasket: Silicone, Gary
  - \* Use Without Waterproof Cap  
Panel Thickness Max: 4.0mm
  - \* Use With Waterproof Cap  
Panel Thickness Max: 3.0mm

UNIT:mm		
TOLERANCE .X ±0.25		

TITLE X Lok B-Size Receptacle Front Fastened M Conn F 2 Pin			
SCALE 2:1	SIZE A4	SHEET 1 OF 1	
REV. A	WC-REV. A.1	$\varnothing$ : Inspection item	

**Amphenol LTW**  
安費諾亮泰企業股份有限公司

ITEM NO BB-02PMFS-QC800P	DRAWN BY Wes Fan	DATE 2016-07-14
DWG NO BB-02PMFS-QC800P	CHECKED BY Spring Liu	DATE 2016-07-14
CUSTOMER ALTW	APPROVED BY Kevin Hu	DATE 2016-07-14

THIS DOCUMENT IS SUBJECT TO CHANGE WITHOUT NOTICE. IT IS CONFIDENTIAL AND A PROPERTY OF Amphenol LTW. DISCLOSURE TO THIRD PARTY HAS TO BE AUTHORIZED BY Amphenol LTW.