



Micro Commercial Components

Micro Commercial Components
 20736 Marilla Street Chatsworth
 CA 91311
 Phone: (818) 701-4933
 Fax: (818) 701-4939

BAT42WS BAT43WS

Schottky Barrier Diode 200mW

Features

- Fast Switching Speed
- Surface Mount Package Ideally Suited for Automatic Insertion
- Low Forward Voltage Drop.

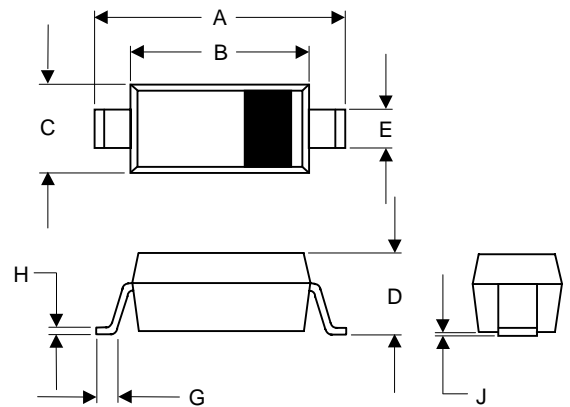
Mechanical Data

- Case Material: Molded Plastic. UL Flammability Classification Rating 94V-0
- Polarity: Indicated by Cathode Band
- Marking: BAT42WS S7
BAT43WS S8

Maximum Ratings @ 25°C Unless Otherwise Specified

Characteristic	Symbol	Value	Unit
Peak Repetitive Reverse Voltage	V_{RRM}		
Working Peak Reverse Voltage	V_{RWM}	30	V
DC Blocking Voltage	V_R		
RMS Reverse Voltage	$V_{R(RMS)}$	21	V
Forward Continuous Current(Note1)	I_{FM}	200	mA
Average Rectified Output Current	I_o	100	mA
Repetitive Peak Forward Surge Current @ $t < 1.0s$	I_{FRM}	500	mA
Non-Rep. Peak Forward Surge Current @ $t < 10ms$	I_{FSM}	4	A
Power Dissipation	P_d	200	mW
Thermal Resistance(Note 1)	R	625	K/W
Operation/Storage Temp. Range	T_j, T_{STG}	-55 to +125	°C

SOD323

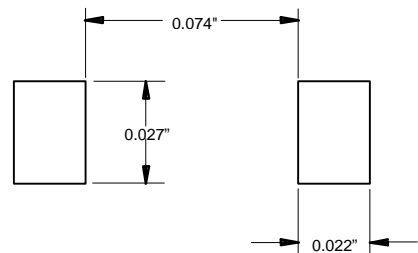


DIM	INCHES		MM		NOTE
	MIN	MAX	MIN	MAX	
A	.090	.107	2.30	2.70	
B	.063	.071	1.60	1.80	
C	.045	.053	1.15	1.35	
D	.031	.045	0.80	1.15	
E	.010	.016	0.25	0.40	
G	.004	.018	0.10	0.45	
H	.004	.010	0.10	0.25	
J	-----	.006	-----	0.15	

Electrical Characteristics @ 25°C Unless Otherwise Specified

Charateristic	Symbol	Min	Max	Unit	Test Cond.
Forward Voltage Drop	V_{FM}	----	1.0	V	$I_F=200mA$
All Types		----	0.40		$I_F=10mA$
BAT42WS		----	0.65		$I_F=50mA$
BAT43WS		0.26	0.33		$I_F=2.0mA$
BAT43WS		----	0.45		$I_F=15mA$
Maximum Peak Reverse Current	I_{RM}	-----	500	nA	$V_R=25V$
			100	uA	$V_R=25V T_j=100^\circ C$
Junction Capacitance	C_j	-----	10	pF	$V_R=1V, f=1.0MHz$
Reverse Recovery Time	t_{rr}	-----	5	ns	$I_F=I_R=10mA$ $I_{rr}=0.1I_R$ $R_L=100OHMS$

SUGGESTED SOLDER PAD LAYOUT



- Note:**
1. Valid provided that terminals are kept at ambient temperature
 2. $t \leq 300us$, duty cycle $\leq 2\%$



Micro Commercial Components

*****IMPORTANT NOTICE*****

Micro Commercial Components Corp. reserves the right to make changes without further notice to any product herein to make corrections, modifications, enhancements, improvements, or other changes. *Micro Commercial Components Corp.* does not assume any liability arising out of the application or use of any product described herein; neither does it convey any license under its patent rights, nor the rights of others. The user of products in such applications shall assume all risks of such use and will agree to hold *Micro Commercial Components Corp.* and all the companies whose products are represented on our website, harmless against all damages.

*****APPLICATIONS DISCLAIMER*****

Products offer by *Micro Commercial Components Corp.* are not intended for use in Medical, Aerospace or Military Applications.