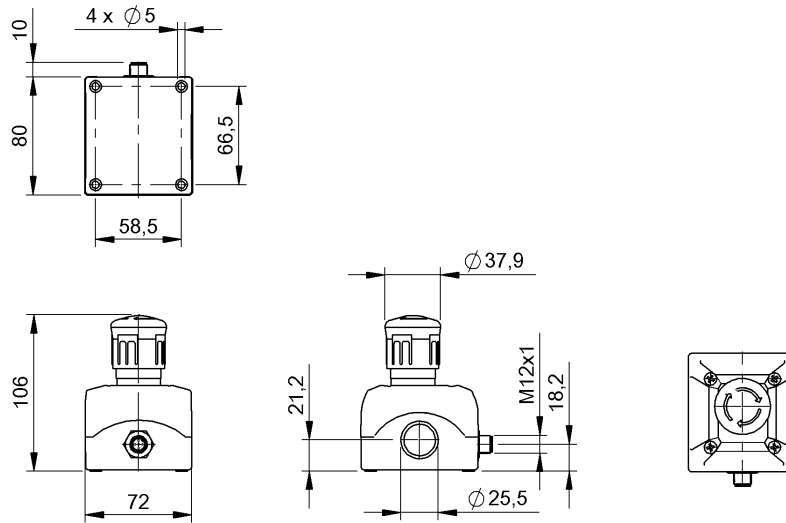


Emergency Stop Switches
BAM ES-XA-01D-01-R01-201-S92
 Order Code: **BAM02HA**

BALLUFF



Basic features

Additional features	B10d (per EN ISO 13849-1) 100.000
Approval/Conformity	UL CERTIFIED CE TÜV WEEE
Scope of delivery	1 pc.
Version	Complete unit

Environmental conditions

Ambient temperature	-25...70 °C
Protection degree	IP65
Storage temperature	-25...70 °C

Functional safety

B10d (EN ISO 13849-1)	0.1 million Switching operations
No of contacts	2x positive opening

Electrical connection

Connection	M12x1-Male, 5-pin, A-coded
-------------------	----------------------------

Material

Housing material	Plastic
-------------------------	---------

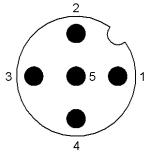
Electrical data

Rated operating current Ie	3 A
Rated operating current Ie AC	3 A
Rated operating voltage Ue AC	24 V
Rated operating voltage Ue DC	24 V
Switching function mechanical	Creep switch member
Switching voltage	24 V AC/DC
Utilization category	AC-15 DC -13

Mechanical data

Dimension	80 x 106 x 72 mm
Installation	any
Life expectancy mechanical	0.06 million Switching operations
Mounting	Screws
Mounting holes, number	4
Tightening torque	3 Nm
Type of release	Turning
Weight	300.00 g

Connector Drawings



PIN 1: 11
PIN 2: 22
PIN 3: n.c.
PIN 4: 12
PIN 5: 21

Wiring Diagrams

