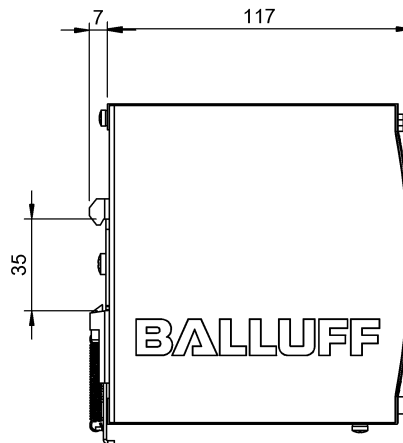
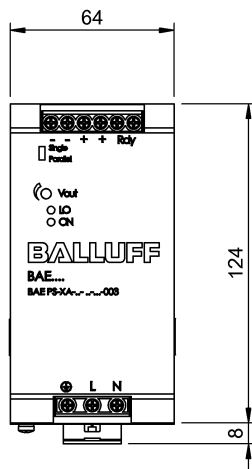
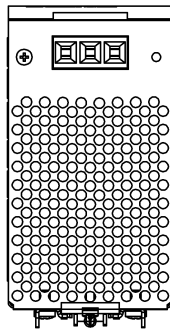


BAE PS-XA-1W-24-050-003
BAE0006



Electrical connection

Connection	0.25 mm ² ...4 mm ²
Interconnected operation type	Parallel wiring: max. 3 devices Series wiring: max. 2 devices
Short-circuit protection	Forward characteristic

Electrical data

Derating	-2.5 %/°C +61 °C
Efficiency typ.	86 %
Hold-up time	≥ 30 ms at 230 V AC ≥ 25 ms at 115 V AC
Input voltage	90...132 V AC 180...264 V AC 210...375 V DC
Input voltage	115/230 VAC automatic selection, 1-phasing
Input/output, insulation voltage	3000 V AC
Inrush current	≤ 24 A at 115 V AC ≤ 48 A at 230 V AC
Isolation resistance	≥ 100 MOhm
Load control	±5 % parallel ±1 % single
MTTF (40 °C)	61 a
Output capacity max.	120 W
Output voltage	24 VDC
Output voltage tolerance	+1 %

Pollution degree	2
Rated input current	830 mA at 230 VAC 2.2 A at 115 VAC
Rated output current	5 A
Setting range	22.5...28.5 VDC
Settling time	2 ms
Switching frequency	55000 Hz
Turn-on time max.	1 s
Voltage control	1 %

Environmental conditions

Ambient temperature	-35...70 °C
Cooling	Free convection
Over temperature	protected
Protection class	I
Protection type IEC 60529	IP20
Relative humidity	20... 95 %, non-condensing
Storage temperature	-40...85 °C
Temperature coefficient max.	±0.03 %/K

General data

Approval/Conformity	CE cULus LISTED
Basic standard	EN 61204
Series	Standard

BAE PS-XA-1W-24-050-003 BAE0006

Short description	Switching power supply
Trademark	Global
Version	DIN rail

Material

Housing material	Metal
------------------	-------

Mechanical data

Fastening detail	DIN rail mounting
Weight	0.92 kg

Range/Distance

Residual ripple max.	50 mV
----------------------	-------

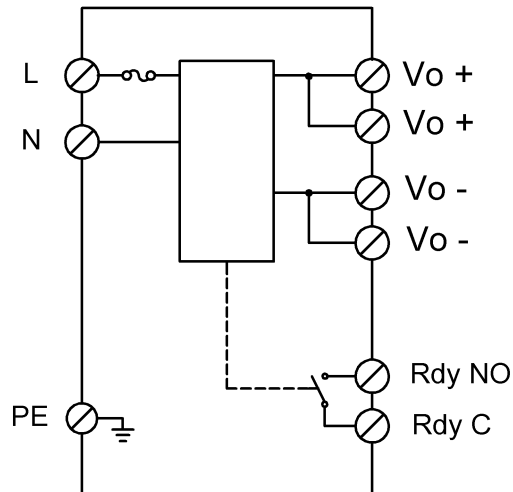
Remarks

Values measured at +25 °C and full load.

For further information on MTTF/B10d, please refer to the MTTF / B10d Certificate.

Specification of the MTTF value and the B10d value do not represent any binding quality and/or life expectancy guarantees.

Wiring Diagram



BAE PS-XA-1W-24-050-003
BAE0006

Additional View

