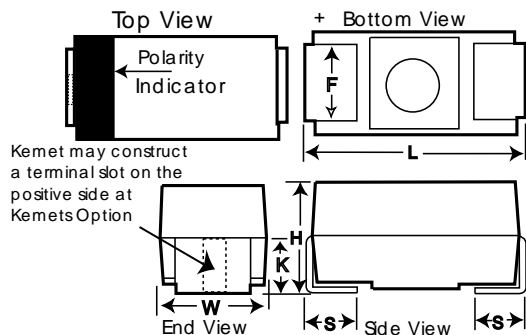


KEMET Part Number: T491C475K035ZT
(B45196H6475K309)

Capacitor, tantalum, 4.7 uF, 6032, +/-10% Tol, 35V@85C



Dimensions (mm)		
Symbol	Dimension	Tolerance
L	6	+/-0.3
W	3.2	+/-0.3
H	2.5	+/-0.3
K	1.8	typ
F	2.2	+/-0.1
S	1.3	+/-0.3

Notes:

-In polarity stripe, at KEMET's option, type may be indicated: see catalog for explanation of symbols

-Old part number [Obsolete] was B45196H6475K309

General Information

Manufacturer: KEMET

Electrical Specifications

Capacitance:	4.7 uF
Voltage DC @ 85C:	35V
Voltage DC @ 105C:	29V
Voltage DC @ 125C:	23V
Tolerance:	+/-10%
Application:	General Purpose
Temperature Range:	-55/+125C
Body Type:	Molded Chip
Construction:	Std Chip-MnO2
Footprint:	6032
Termination:	Tin
Leakage Current:	1.6 uA
Dissipation Factor:	6%
Impedance @ 100kHz:	2 Ohm

Packaging Specifications

Package Kind:	T&R
Package Size:	7in
Package Quantity:	750