

1825609-1 ✓ ACTIVE

Alcoswitch | Alcoswitch FCR

TE Internal #: 1825609-1

Toggle Switch Boot Seal, Round Product Shape, Black, Alcoswitch FCR, Switch Seals & Accessories

[View on TE.com >](#)



Switches > Switch Seals & Accessories



Switch Accessory Type: **Toggle Switch Boot Seal**

Product Shape: **Round**

Primary Product Color: **Black**

## Features

### Product Type Features

Switch Accessory Type	Toggle Switch Boot Seal
Product Shape	Round

### Configuration Features

Switch Feedback Type	Non-Tactile
----------------------	-------------

### Body Features

Primary Product Color	Black
-----------------------	-------

### Mechanical Attachment

Thread Size	10 – 48 UNS-2B
-------------	----------------

## Product Compliance

[For compliance documentation, visit the product page on TE.com>](#)

EU RoHS Directive 2011/65/EU	Compliant with Exemptions
EU ELV Directive 2000/53/EC	Compliant with Exemptions
China RoHS 2 Directive MIIT Order No 32, 2016	Restricted Materials Above Threshold
EU REACH Regulation (EC) No. 1907/2006	Current ECHA Candidate List: JUNE 2024 (241) Candidate List Declared Against: JUNE 2024 (241) SVHC > Threshold: Pb (2.75% in Component Part) <small>Article Safe Usage Statements:</small>



Do not eat, drink or smoke when using this product. Wash thoroughly after handling. Recycle if possible and dispose of the article by following all applicable governmental regulations relevant to your geographic location.

Halogen Content

Low Halogen - Br, Cl, F, I < 900 ppm per homogenous material. Also BFR/CFR/PVC Free

Solder Process Capability

Not applicable for solder process capability

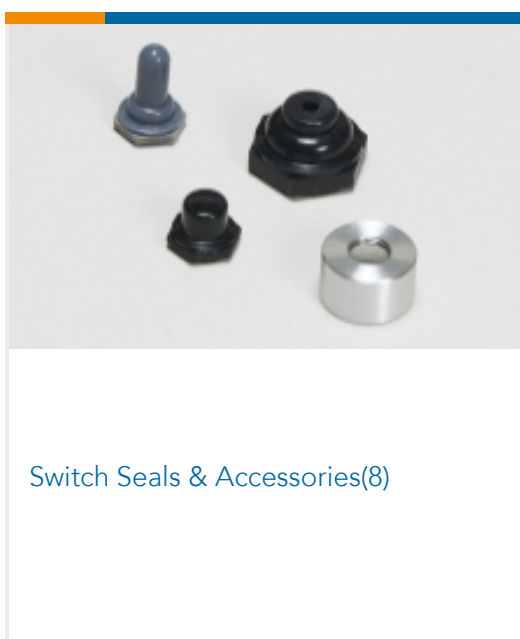
Product Compliance Disclaimer

This information is provided based on reasonable inquiry of our suppliers and represents our current actual knowledge based on the information they provided. This information is subject to change. The part numbers that TE has identified as EU RoHS compliant have a maximum concentration of 0.1% by weight in homogenous materials for lead, hexavalent chromium, mercury, PBB, PBDE, DBP, BBP, DEHP, DIBP, and 0.01% for cadmium, or qualify for an exemption to these limits as defined in the Annexes of Directive 2011/65/EU (RoHS2). Finished electrical and electronic equipment products will be CE marked as required by Directive 2011/65/EU. Components may not be CE marked. Additionally, the part numbers that TE has identified as EU ELV compliant have a maximum concentration of 0.1% by weight in homogenous materials for lead, hexavalent chromium, and mercury, and 0.01% for cadmium, or qualify for an exemption to these limits as defined in the Annexes of Directive 2000/53/EC (ELV). Regarding the REACH Regulation, the information TE provides on SVHC in articles for this part number is based on the latest European Chemicals Agency (ECHA) 'Guidance on requirements for substances in articles' posted at this URL: <https://echa.europa.eu/guidance-documents/guidance-on-reach>

### Compatible Parts



### Also in the Series | Alcoswitch FCR



### Customers Also Bought



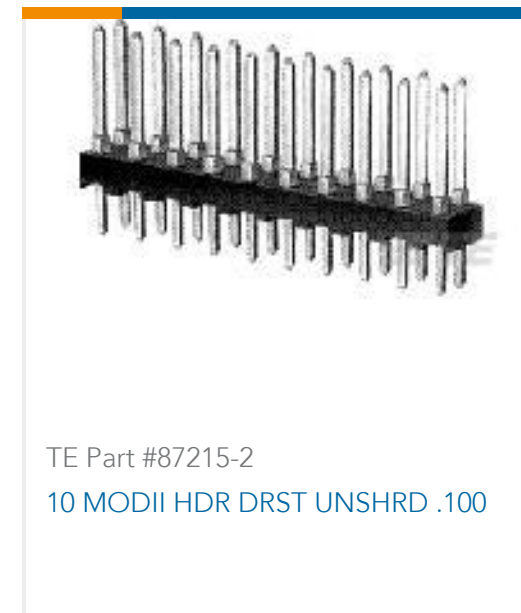
TE Part #5747845-5  
15 MSFL RCPT RA 318 (SL,FM,BL)



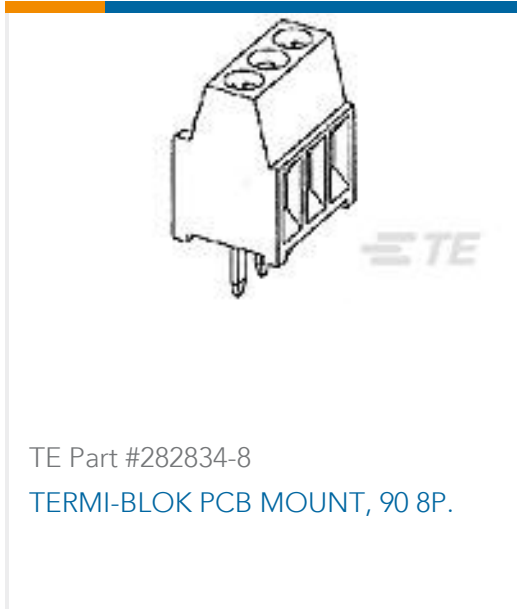
TE Part #5-1775443-2  
EMIX CONN., 1.5MM PITCH, HDR, V /T, 2P



TE Part #2-6609129-1  
5EFM1=F8092



TE Part #87215-2  
10 MODII HDR DRST UNSHRD .100



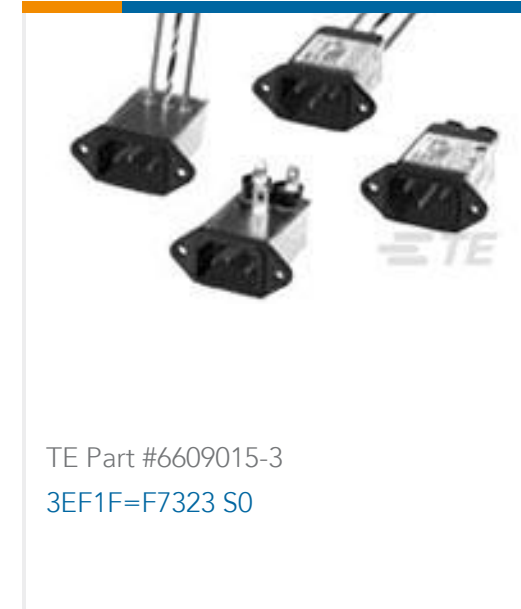
TE Part #282834-8  
TERMI-BLOK PCB MOUNT, 90 8P.



TE Part #7-1437651-7  
6PCR-04-006=6PCR ASSEMBLY



TE Part #320562  
SPLICE BUTT PIDG 16-14



TE Part #6609015-3  
3EF1F=F7323 S0



TE Part #MBC800  
MISCACC,MBC,800MHZ 800MHZ MBL /BSE ADPTR

## Documents

### Product Drawings

[B1048004=Boot,Toggle](#)

English

### CAD Files

[3D PDF](#)

3D

Customer View Model

[ENG\\_CVM\\_CVM\\_1825609-1\\_B.2d\\_dxf.zip](#)

English

Customer View Model

[ENG\\_CVM\\_CVM\\_1825609-1\\_B.3d\\_igs.zip](#)

English

Customer View Model

[ENG\\_CVM\\_CVM\\_1825609-1\\_B.3d\\_stp.zip](#)

English

By downloading the CAD file I accept and agree to the [Terms and Conditions](#) of use.

### Agency Approvals



[UL Report](#)

English