



Wire Protection & Management > Interconnect Devices > SolderSleeve Shield Terminators



Operating Temperature (Max): 125 °C

Expanded Inside Diameter (Min): 9.2 mm [.362 in]

Recovered Inside Diameter (Max): 4.5 mm [.177 in]

Pre-Installed Lead: No

Resistance Properties: **Splash Protection**

## Features

### Product Type Features

Temperature Indicator	Yes
Temperature Indicator Type	Thermochromic

### Configuration Features

Pre-Installed Lead	No
--------------------	----

### Dimensions

Shield Outside Diameter (Min)	4.5 mm [.177 in]
Compatible Jacket Diameter Range	9.2 mm [.362 in]
Product Length	35.5 mm [1.4 in]
Expanded Inside Diameter (Min)	9.2 mm [.362 in]
Recovered Inside Diameter (Max)	4.5 mm [.177 in]

### Usage Conditions

Operating Temperature (Max)	125 °C
Resistance Properties	Splash Protection
Wire Temperature (Max)	85 °C

### Industry Standards

Government Qualified	No
----------------------	----

## Product Compliance

[For compliance documentation, visit the product page on TE.com>](#)



EU RoHS Directive 2011/65/EU	Compliant
EU ELV Directive 2000/53/EC	Compliant
China RoHS 2 Directive MIIT Order No 32, 2016	No Restricted Materials Above Threshold
EU REACH Regulation (EC) No. 1907/2006	Current ECHA Candidate List: JUNE 2024 (241) Candidate List Declared Against: JAN 2024 (240) Does not contain REACH SVHC
Halogen Content	Low Halogen - Br, Cl, F, I < 900 ppm per homogenous material. Also BFR/CFR/PVC Free
Solder Process Capability	Not applicable for solder process capability

Product Compliance Disclaimer

This information is provided based on reasonable inquiry of our suppliers and represents our current actual knowledge based on the information they provided. This information is subject to change. The part numbers that TE has identified as EU RoHS compliant have a maximum concentration of 0.1% by weight in homogenous materials for lead, hexavalent chromium, mercury, PBB, PBDE, DBP, BBP, DEHP, DIBP, and 0.01% for cadmium, or qualify for an exemption to these limits as defined in the Annexes of Directive 2011/65/EU (RoHS2). Finished electrical and electronic equipment products will be CE marked as required by Directive 2011/65/EU. Components may not be CE marked. Additionally, the part numbers that TE has identified as EU ELV compliant have a maximum concentration of 0.1% by weight in homogenous materials for lead, hexavalent chromium, and mercury, and 0.01% for cadmium, or qualify for an exemption to these limits as defined in the Annexes of Directive 2000/53/EC (ELV). Regarding the REACH Regulation, the information TE provides on SVHC in articles for this part number is based on the latest European Chemicals Agency (ECHA) 'Guidance on requirements for substances in articles' posted at this URL: <https://echa.europa.eu/guidance-documents/guidance-on-reach>

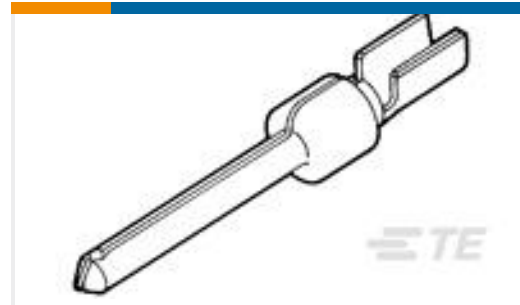
### Compatible Parts



### Customers Also Bought



TE Part #330433-000  
TMS-SCE-2X-1K-3/16-9



TE Part #745229-7  
20DF PIN CONT L.P.



TE Part #1-1423157-5  
7012AF=RLY,STD,ON,2P,120VAC,10



TE Part #F45323-000  
B-155-23



TE Part #1423155-5  
GPD=RELAY, 125VDC



TE Part #1SNA105004R2200  
M6/8



TE Part #9-1579022-3  
CERTILOK DIE FASTON 6.3

## Documents

### Product Drawings

[B-155-09](#)

English