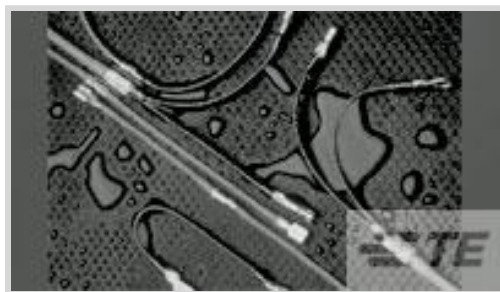




Terminals & Splices > Spade Terminals

Spade Terminal Type: **Spade Tongue Terminal**Wire Size: 1.5 – 2.5 mm²

Stud Size: #8

Stud Diameter: 4.3 mm [.169 in]

Features

Product Type Features

Stud Size	#8
Sealable	Yes
Wire Insulation Support Retention Type	Insulation Support

Configuration Features

Number of Holes	1
-----------------	---

Body Features

Insulation Sleeve Color	Blue
Product Weight	1 g [.03527 oz]

Contact Features

Spade Terminal Type	Spade Tongue Terminal
Barrel Type	Closed
Terminal Orientation	Straight
Terminal Plating Material	Tin
Contact Underplating Material	Copper

Dimensions

Wire Size	1.5 – 2.5 mm ²
Stud Diameter	4.3 mm [.169 in]
Tongue Thickness	.8 mm [.031 in]
Product Length	35 mm [1.378 in]



Compatible Insulation Diameter Range	2 mm[.08 in]
--------------------------------------	--------------

Usage Conditions

Insulation Option	Partially Insulated
Operating Temperature Range	-55 – 125 °C[-67 – 257 °F]

Industry Standards

Government Qualified Terminal	No
-------------------------------	----

Packaging Features

Packaging Quantity	1000
Packaging Method	Box

Product Compliance

[For compliance documentation, visit the product page on TE.com>](#)

EU RoHS Directive 2011/65/EU	Compliant
EU ELV Directive 2000/53/EC	Compliant
China RoHS 2 Directive MIIT Order No 32, 2016	No Restricted Materials Above Threshold
EU REACH Regulation (EC) No. 1907/2006	Current ECHA Candidate List: JUNE 2024 (241) Candidate List Declared Against: JAN 2024 (240) Does not contain REACH SVHC
Halogen Content	Low Halogen - Br, Cl, F, I < 900 ppm per homogenous material. Also BFR/CFR/PVC Free
Solder Process Capability	Not applicable for solder process capability

Product Compliance Disclaimer

This information is provided based on reasonable inquiry of our suppliers and represents our current actual knowledge based on the information they provided. This information is subject to change. The part numbers that TE has identified as EU RoHS compliant have a maximum concentration of 0.1% by weight in homogenous materials for lead, hexavalent chromium, mercury, PBB, PBDE, DBP, BBP, DEHP, DIBP, and 0.01% for cadmium, or qualify for an exemption to these limits as defined in the Annexes of Directive 2011/65/EU (RoHS2). Finished electrical and electronic equipment products will be CE marked as required by Directive 2011/65/EU. Components may not be CE marked. Additionally, the part numbers that TE has identified as EU ELV compliant have a maximum concentration of 0.1% by weight in homogenous materials for lead, hexavalent chromium, and mercury, and 0.01% for cadmium, or qualify for an exemption to these limits as defined in the Annexes of Directive 2000/53/EC (ELV). Regarding the REACH Regulation, the information TE provides on SVHC in articles for this part number is based on the latest European Chemicals Agency (ECHA) 'Guidance on requirements for substances in articles' posted at this URL: <https://echa.europa.eu/guidance-documents/guidance-on-reach>

Compatible Parts

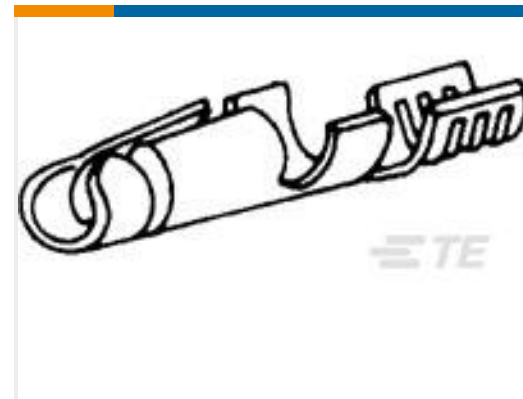


TE Part # EG8162-000
HL1920E-230V-EURO

Customers Also Bought



TE Part #52266-4
TERMINAL R PG 4 3/8



TE Part #60440-1
PIN 093 RECEPTACLE 22-18 AWG BR



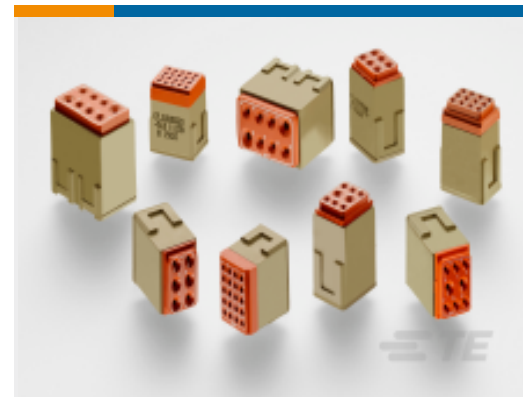
TE Part #857409-000
B-106-1992



TE Part #YDTS24F15-35SNV001
RECP ASSY



TE Part #697233-000
B-106-1503



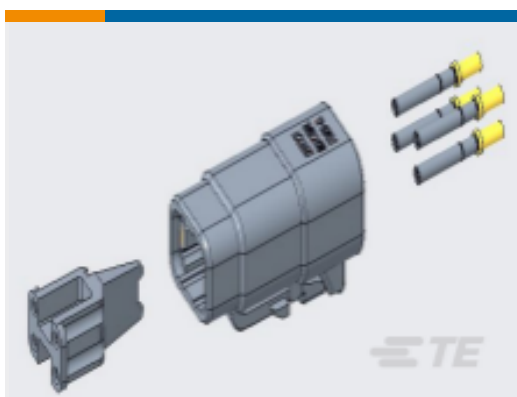
TE Part #CTJ122E10A-513
MODULE ASSY



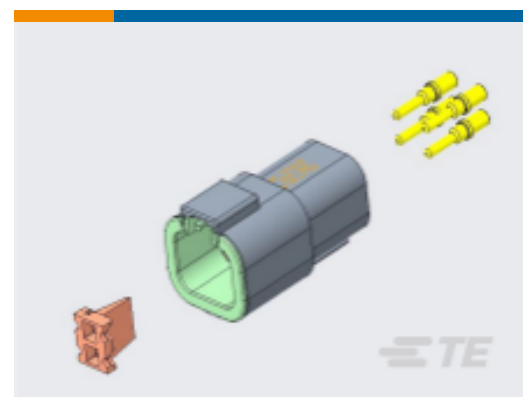
TE Part #4-2407269-2
CAP, CPC, SIZE 17 RECP, BLACK



TE Part #DT04-3P-KIT
DT04-3P AND WEG ONLY



TE Part #DTM06-4S-COMPLETE
DTM06-4S W/ WEDGELOCK AND
TERMINALS



TE Part #DTP04-4P-COMPLETE
DTP04-4P WEG CON

Documents

Product Drawings

[B-106-2402](#)

English

Datasheets & Catalog Pages

[1654025_Sec8_B-106](#)

English

Product Specifications

[Installation Procedure for Duraseal Splices and Terminals](#)

097305-000

Spade Tongue Terminal, 16 – 14 AWG, #8 Stud Size, 4.3 mm [.169 in] Stud Diameter,
Closed Barrel, Straight, Tin, Partially Insulated



English