

164581-000 ✓ ACTIVE

RAYCHEM

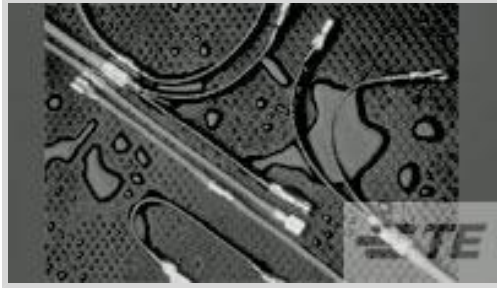
TE Internal #: 164581-000

Closed Ring Tongue Terminal, 12 – 10 AWG, #8 Stud Size, 4.3 mm [.169 in] Stud Diameter, Closed Barrel, Straight, Tin, Partially Insulated

[View on TE.com >](#)



Terminals & Splices > Ring Terminals



Ring Terminal Product Type: **Closed Ring Tongue Terminal**

Wire Size: **3 – 6 mm²**

Stud Size: **#8**

Stud Diameter: **4.3 mm [.169 in]**

Features

Product Type Features

Shape Description	RING-008
Ring Terminal Product Type	Closed Ring Tongue Terminal
Stud Size	#8
Sealable	No
Wire Insulation Support Retention Type	Insulation Support

Configuration Features

Number of Holes	1
-----------------	---

Body Features

Insulation Sleeve Color	Yellow
Product Weight	1 g [.03527 oz]

Contact Features

Barrel Type	Closed
Terminal Orientation	Straight
Terminal Plating Material	Tin

Mechanical Attachment

Wire Insulation Support	With
-------------------------	------

Dimensions

Wire Size	3 – 6 mm ²
-----------	-----------------------



Stud Diameter	4.3 mm[.169 in]
---------------	-----------------

Tongue Thickness	.99 mm[.039 in]
------------------	-----------------

Product Length	38 mm[1.496 in]
----------------	-----------------

Barrel Inside Diameter	6.5 mm[.256 in]
------------------------	-----------------

Usage Conditions

Insulation Option	Partially Insulated
-------------------	---------------------

Operating Temperature Range	-55 – 125 °C[-67 – 257 °F]
-----------------------------	----------------------------

Industry Standards

Government Qualified Terminal	No
-------------------------------	----

Packaging Features

Packaging Quantity	500
--------------------	-----

Packaging Method	Package
------------------	---------

Product Compliance

[For compliance documentation, visit the product page on TE.com>](#)

EU RoHS Directive 2011/65/EU	Compliant
------------------------------	-----------

EU ELV Directive 2000/53/EC	Compliant
-----------------------------	-----------

China RoHS 2 Directive MIIT Order No 32, 2016	No Restricted Materials Above Threshold
-----------------------------------------------	-----------------------------------------

EU REACH Regulation (EC) No. 1907/2006	Current ECHA Candidate List: JUNE 2024 (241) Candidate List Declared Against: JAN 2024 (240) Does not contain REACH SVHC
----------------------------------------	--------------------------------------------------------------------------------------------------------------------------------

Halogen Content	Low Halogen - Br, Cl, F, I < 900 ppm per homogenous material. Also BFR/CFR/PVC Free
-----------------	-------------------------------------------------------------------------------------

Solder Process Capability	Not applicable for solder process capability
---------------------------	----------------------------------------------

Product Compliance Disclaimer

This information is provided based on reasonable inquiry of our suppliers and represents our current actual knowledge based on the information they provided. This information is subject to change. The part numbers that TE has identified as EU RoHS compliant have a maximum concentration of 0.1% by weight in homogenous materials for lead, hexavalent chromium, mercury, PBB, PBDE, DBP, BBP, DEHP, DIBP, and 0.01% for cadmium, or qualify for an exemption to these limits as defined in the Annexes of Directive 2011/65/EU (RoHS2). Finished electrical and electronic equipment products will be CE marked as required by Directive 2011/65/EU. Components may not be CE marked. Additionally, the part numbers that TE has identified as EU ELV compliant have a maximum concentration of 0.1% by weight in homogenous materials for lead, hexavalent chromium, and mercury, and 0.01% for cadmium, or qualify for an exemption to these limits as defined in the Annexes of Directive 2000/53/EC (ELV). Regarding the REACH Regulation, the information TE provides on SVHC in articles for this part number is based on the latest European Chemicals Agency (ECHA) 'Guidance on requirements for substances in articles' posted at this URL: <https://echa.europa.eu/guidance-documents/guidance-on-reach>

Compatible Parts



TE Part # EG8162-000
HL1920E-230V-EURO

Customers Also Bought



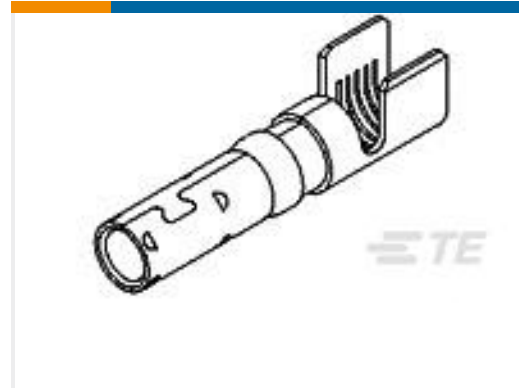
TE Part #213906-1
Sealed Two-Piece Connector, CPC Series 6



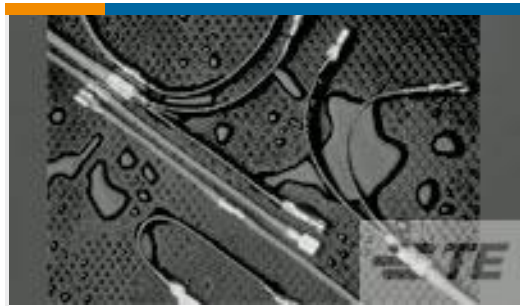
TE Part #1-66358-9
III+ SKT,18-14,30AU/FL,STRIP



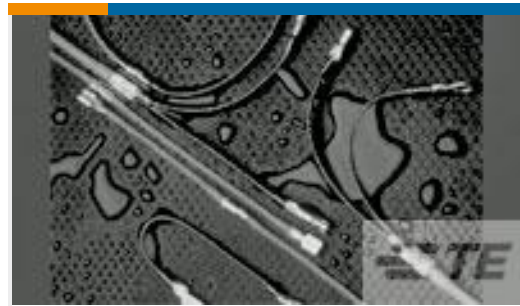
TE Part #66331-7
III+ SKT,24-20,15AU/FL,STRIP



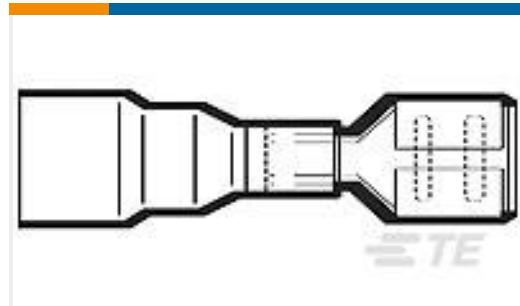
TE Part #213847-4
PWRBND SOC ASY,14-12,L.P.



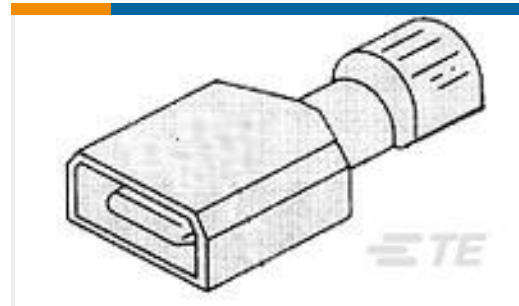
TE Part #201451-000
B-106-1993



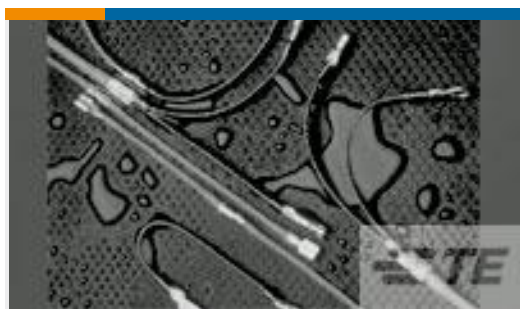
TE Part #583389-000
B-106-3633



TE Part #518553-000
B-106-3631



TE Part #3-521057-2
ULTRAFast 250 ASSY TAB 16-14 AWG TPBR



TE Part #697233-000
B-106-1503

Documents

Product Drawings

[B-106-1403](#)

English

CAD Files

[3D PDF](#)



3D

Customer View Model

[ENG_CVM_CVM_164581-000_A.2d_dxf.zip](#)

English

Customer View Model

[ENG_CVM_CVM_164581-000_A.3d_igs.zip](#)

English

Customer View Model

[ENG_CVM_CVM_164581-000_A.3d_stp.zip](#)

English

By downloading the CAD file I accept and agree to the [Terms and Conditions](#) of use.

Datasheets & Catalog Pages

[1654025_Sec8_B-106](#)

English

Product Specifications

[Installation Procedure for Duraseal Splices and Terminals](#)

English