



RAYCHEM

TE Internal #: 680888-000

SolderSleeve Shield Terminators, 4.39 mm [.173 in] Expanded Inside, 2.03 mm [.08 in] Recovered Inside, Pre-Installed Lead, Splash Protection

[View on TE.com >](#)

Wire Protection & Management > Interconnect Devices > SolderSleeve Shield Terminators



Operating Temperature (Max): 125 °C

Expanded Inside Diameter (Min): 4.39 mm [.173 in]

Recovered Inside Diameter (Max): 2.03 mm [.08 in]

Pre-Installed Lead: **Yes**

Resistance Properties: **Splash Protection**

**Features**

**Product Type Features**

Interconnect Device Splice Type	SolderSleeve
---------------------------------	--------------

**Configuration Features**

Pre-Installed Lead	Yes
--------------------	-----

**Dimensions**

Product Length	16.51 mm [.65 in]
Expanded Inside Diameter (Min)	4.39 mm [.173 in]
Recovered Inside Diameter (Max)	2.03 mm [.08 in]
Wire Size	24 AWG

**Usage Conditions**

Operating Temperature (Max)	125 °C
Resistance Properties	Splash Protection
Wire Temperature (Max)	105 °C

**Product Compliance**

[For compliance documentation, visit the product page on TE.com>](#)

EU RoHS Directive 2011/65/EU	Not Compliant
EU ELV Directive 2000/53/EC	Not Compliant
China RoHS 2 Directive MIIT Order No 32, 2016	Restricted Materials Above Threshold



EU REACH Regulation (EC) No. 1907/2006

Current ECHA Candidate List: JUNE 2023 (235)

Candidate List Declared Against: JUNE 2023 (235)

SVHC > Threshold:

Cd (18% in Solder)

Pb (32% in Solder)

**Article Safe Usage Statements:**

Use personal protective equipment as required. Do not eat, drink or smoke when using this product. Wash thoroughly after handling. Recycle if possible and dispose of the article by following all applicable governmental regulations relevant to your geographic location.

Halogen Content

Low Bromine/Chlorine - Br and Cl < 900 ppm per homogenous material. Also BFR /CFR/PVC Free

Solder Process Capability

Not applicable for solder process capability

**Product Compliance Disclaimer**

This information is provided based on reasonable inquiry of our suppliers and represents our current actual knowledge based on the information they provided. This information is subject to change. The part numbers that TE has identified as EU RoHS compliant have a maximum concentration of 0.1% by weight in homogenous materials for lead, hexavalent chromium, mercury, PBB, PBDE, DBP, BBP, DEHP, DIBP, and 0.01% for cadmium, or qualify for an exemption to these limits as defined in the Annexes of Directive 2011/65/EU (RoHS2). Finished electrical and electronic equipment products will be CE marked as required by Directive 2011/65/EU. Components may not be CE marked. Additionally, the part numbers that TE has identified as EU ELV compliant have a maximum concentration of 0.1% by weight in homogenous materials for lead, hexavalent chromium, and mercury, and 0.01% for cadmium, or qualify for an exemption to these limits as defined in the Annexes of Directive 2000/53/EC (ELV). Regarding the REACH Regulation, the information TE provides on SVHC in articles for this part number is based on the latest European Chemicals Agency (ECHA) 'Guidance on requirements for substances in articles' posted at this URL: <https://echa.europa.eu/guidance-documents/guidance-on-reach>

## Customers Also Bought




TE Part #8-192044-1  
LA5(.004)GOLD



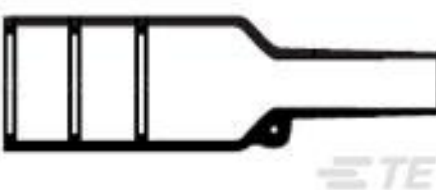
TE Part #1676979-7  
TW 1W 2K5 6.35X25PL



TE Part #1-1676979-1  
TW 1W 5K 6.35X25PL



TE Part #216433-001  
22759/33-22-0



TE Part #828431-000  
202K163-100/86-0



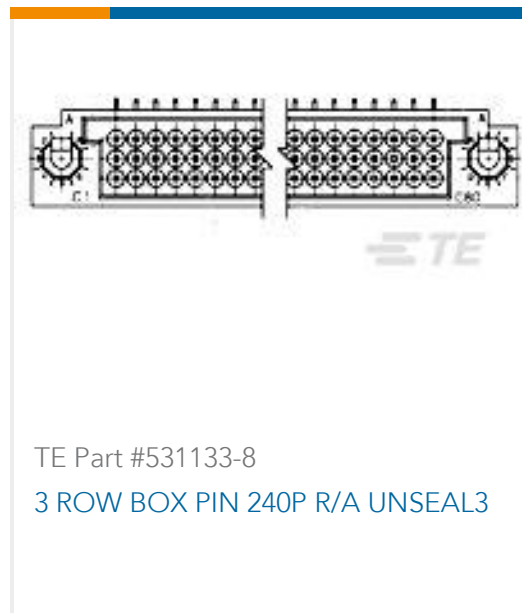
TE Part #2820303009  
44A0111-22-0



TE Part #2820943001  
44A0211-20-9



TE Part #BSA078N00420235000  
923 PLUG



## Documents

### Product Drawings

[B-003-01](#)

English

---

### Datasheets & Catalog Pages

[Raychem Electrical Interconnect Products](#)

English

---

### Product Specifications

[Product Specification](#)

English

[Installation Procedure for SolderSleeves B-003-0X, B-058-0X, B-900-0X](#)

English