



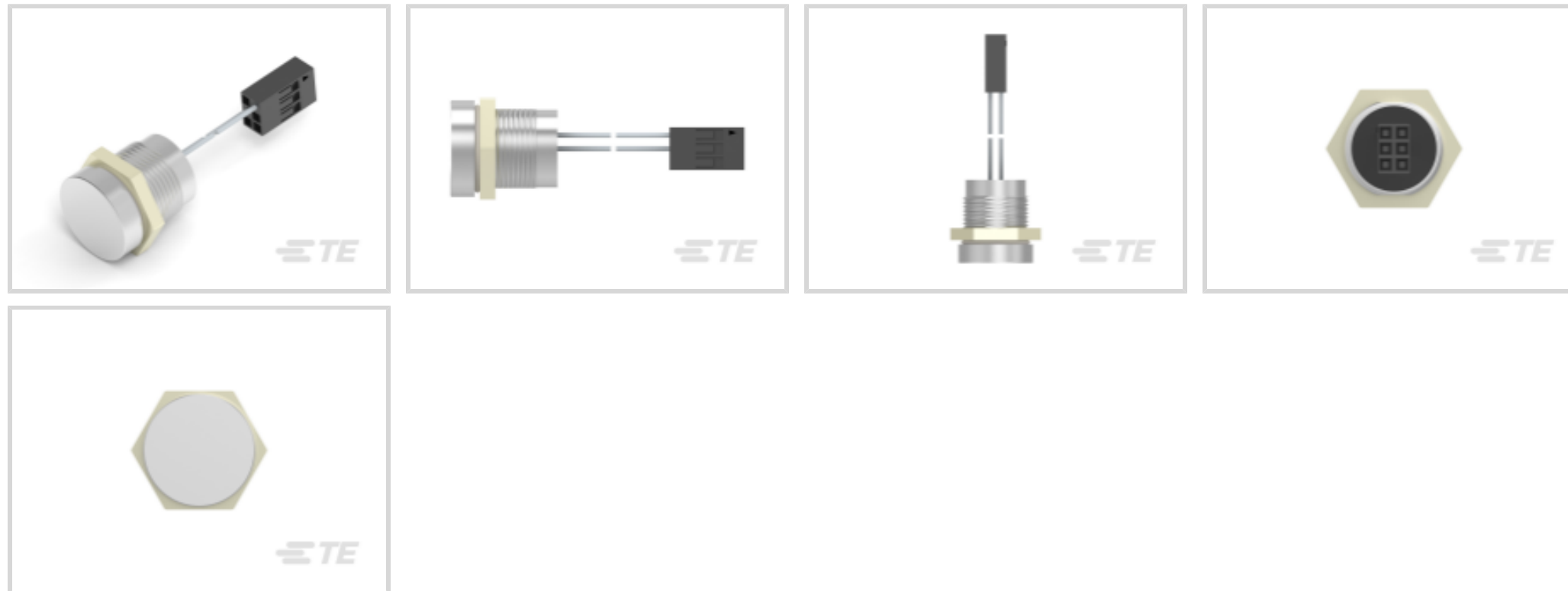
Alcoswitch | Alcoswitch AVP16

TE Internal #: 2342838-1

Push Button Switches, Single Pole - Single Throw Configuration (Pole-Throw), Anti-Vandal Switch, Single Actuator, Alcoswitch AVP16

[View on TE.com >](#)

Switches > Push Button Switches



Configuration (Pole-Throw): **Single Pole - Single Throw**

Push Button Switch Product Type: **Anti-Vandal Switch**

Number of Actuators: **Single**

Actuator Profile: **Extended**

Bushing Style: **Threaded**

Features

Product Type Features

| | |
|---------------------------------|--------------------|
| Switch Connection Type | Long Leads |
| Push Button Switch Product Type | Anti-Vandal Switch |
| Illuminated | Without |
| Actuator Style | Round |

Configuration Features

| | |
|----------------------------|--------------------------------------|
| Panel Cutout Size | 16 (Diameter) mm [.63 (Diameter) in] |
| Configuration (Pole-Throw) | Single Pole - Single Throw |
| Number of Actuators | Single |
| Switch Feedback Type | Non-Tactile |
| Operating Function | 1 Pole, NO, Momentary |

Electrical Characteristics

| | |
|-------------------------|------------|
| Contact Current Rating | 1 A |
| Operating Voltage Range | 5 – 24 VAC |

Body Features

| | |
|--|--|
| | |
|--|--|

| | |
|---------------------|--------------------------|
| Actuator Force | 204 – 510 g[7.2 – 18 oz] |
| Case Material | Aluminum |
| Actuator Material | Aluminum |
| Sealing Method | Epoxy |
| Product Orientation | Vertical |
| Actuator Profile | Extended |
| Bushing Style | Threaded |
| Bushing Thread Size | M16 x 1 |
| Actuator Color | Silver |

Mechanical Attachment

| | |
|-------------------|----------|
| Attachment Method | Screw-On |
|-------------------|----------|

Housing Features

| | |
|-------------|----|
| Low Profile | No |
|-------------|----|

Dimensions

| | |
|------------------|-----------------|
| Bushing Diameter | 16 mm[.63 in] |
| Bushing Length | 15.5 mm[.61 in] |

Usage Conditions

| | |
|-----------------------------|-------------|
| Operating Temperature Range | -20 – 65 °C |
|-----------------------------|-------------|

Industry Standards

| | |
|-----------|------|
| IP Rating | IP68 |
|-----------|------|

Packaging Features

| | |
|------------------|-------------|
| Packaging Method | Loose Piece |
|------------------|-------------|

Product Compliance

[For compliance documentation, visit the product page on TE.com>](#)

| | |
|---|---|
| EU RoHS Directive 2011/65/EU | Compliant with Exemptions |
| EU ELV Directive 2000/53/EC | Compliant with Exemptions |
| China RoHS 2 Directive MIIT Order No 32, 2016 | Restricted Materials Above Threshold |
| EU REACH Regulation (EC) No. 1907/2006 | Current ECHA Candidate List: JUNE 2024 (241) Candidate List Declared Against: JUNE 2024 (241) SVHC > Threshold: Pb (4% in Component Part) <small>Article Safe Usage Statements:</small> |



Do not eat, drink or smoke when using this product. Wash thoroughly after handling. Recycle if possible and dispose of the article by following all applicable governmental regulations relevant to your geographic location.

Halogen Content

Low Halogen - Br, Cl, F, I < 900 ppm per homogenous material. Also BFR/CFR/PVC Free

Solder Process Capability

Not reviewed for solder process capability

Product Compliance Disclaimer

This information is provided based on reasonable inquiry of our suppliers and represents our current actual knowledge based on the information they provided. This information is subject to change. The part numbers that TE has identified as EU RoHS compliant have a maximum concentration of 0.1% by weight in homogenous materials for lead, hexavalent chromium, mercury, PBB, PBDE, DBP, BBP, DEHP, DIBP, and 0.01% for cadmium, or qualify for an exemption to these limits as defined in the Annexes of Directive 2011/65/EU (RoHS2). Finished electrical and electronic equipment products will be CE marked as required by Directive 2011/65/EU. Components may not be CE marked. Additionally, the part numbers that TE has identified as EU ELV compliant have a maximum concentration of 0.1% by weight in homogenous materials for lead, hexavalent chromium, and mercury, and 0.01% for cadmium, or qualify for an exemption to these limits as defined in the Annexes of Directive 2000/53/EC (ELV). Regarding the REACH Regulation, the information TE provides on SVHC in articles for this part number is based on the latest European Chemicals Agency (ECHA) 'Guidance on requirements for substances in articles' posted at this URL: <https://echa.europa.eu/guidance-documents/guidance-on-reach>

Compatible Parts



TE Part # 2213775-3
AV16 SPM 0.4VA POWER LED RED 12V



TE Part # 2213775-7
AV16 SPM 0.4VA POWER LED GREEN 12V



TE Part # 2213775-9
AV16 SPM 0.4VA POWER LED BLUE 12V



TE Part # 2213774-7
AV16 SPM 0.4VA FIX RING LED GREEN 12V



TE Part # 2213774-3
AV16 SPM 0.4VA FIX RING LED RED 12V

Also in the Series | Alcoswitch AVP16



Push Button Switches(4)

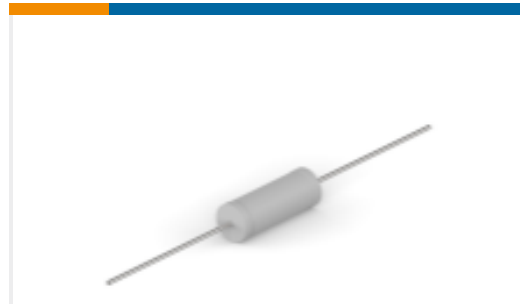
Customers Also Bought



TE Part #5-1618398-0
EV100AAANA=CONTACTOR, SPST-NO 9-36Vdc



TE Part #1-1617795-4
FCA-150-CY4=Relay



TE Part #4-2176412-1
5W XSM M/OX 5% 240R



TE Part #176819-000
B-150-11



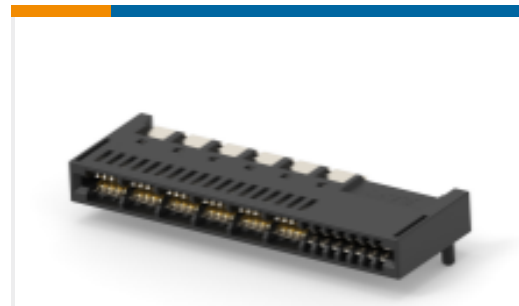
TE Part #270225-000
B-150-07



TE Part #CTJ120E03D-513
MODULE ASSY



TE Part #CTJ722E01C-7067
MODULE ASSY



TE Part #2343428-1
HD+ CE, RA, CRPS



TE Part #YCTJ-3A-10C0160000
RAIL ASSY

Documents

Product Drawings

[AVP16M H. FLAT AIO NL 500MM/2X3](#)

English

CAD Files

[3D PDF](#)

3D

Customer View Model

[ENG_CVM_CVM_2342838-1_A.2d_dxf.zip](#)



English

Customer View Model

[ENG_CVM_CVM_2342838-1_A.3d_igs.zip](#)

English

Customer View Model

[ENG_CVM_CVM_2342838-1_A.3d_stp.zip](#)

English

By downloading the CAD file I accept and agree to the [Terms and Conditions](#) of use.

Datasheets & Catalog Pages

[AVP Series Anti Vandal Illuminated and Non-Illuminated Piezo Switches](#)

English