



Alcoswitch | Alcoswitch AVH25

TE Internal #: 1-2364701-6

Push Button Switches, Single Pole - Double Throw Configuration (Pole-Throw), Anti-Vandal Switch, Single Actuator, Alcoswitch AVH25

[View on TE.com >](#)

Switches > Push Button Switches



Configuration (Pole-Throw): **Single Pole - Double Throw**

Push Button Switch Product Type: **Anti-Vandal Switch**

Number of Actuators: **Single**

Actuator Profile: **Flush**

Bushing Style: **Threaded**

Features

Product Type Features

Switch Connection Type	Wire Lugs
Push Button Switch Product Type	Anti-Vandal Switch
Illuminated	With
Actuator Style	Flush

Configuration Features

Panel Cutout Size	25.2 mm[.99 in]
Configuration (Pole-Throw)	Single Pole - Double Throw
Number of Actuators	Single
Snap Action	Without
Support Bracket	Without
Switch Feedback Type	Tactile & Auditory
Operating Function	1 NO & 1 NC, On On

Electrical Characteristics

Contact Current Rating	26 A
------------------------	------

Operating Voltage Range	250 VAC
-------------------------	---------

Body Features

Actuator Force	205 – 510 g[7.2 – 18 oz]
Case Material	Stainless Steel
Actuator Material	Steel
Sealing Method	Rubber O-Ring
Product Orientation	Vertical Right Angle
Actuator Profile	Flush
Bushing Style	Threaded
Bushing Thread Size	M25 x 1
Actuator Color	Silver

Contact Features

Contact Base Material	Copper Alloy
Switch Contact Plating Material	Silver

Mechanical Attachment

Attachment Method	Screw-On
-------------------	----------

Housing Features

Low Profile	Yes
Process Sealed	No

Dimensions

Bushing Diameter	25 mm[.98 in]
Bushing Length	17.3 mm[.68 in]
Cap Diameter	19.8 mm[.78 in]

Usage Conditions

Operating Temperature Range	-25 – 85 °C
-----------------------------	-------------

Industry Standards

IP Rating	IP67
-----------	------

Packaging Features

Packaging Method	Loose Piece
------------------	-------------

Product Compliance

[For compliance documentation, visit the product page on TE.com>](#)



EU RoHS Directive 2011/65/EU	Compliant with Exemptions
EU ELV Directive 2000/53/EC	Not Yet Reviewed
China RoHS 2 Directive MIIT Order No 32, 2016	Restricted Materials Above Threshold
EU REACH Regulation (EC) No. 1907/2006	<p>Current ECHA Candidate List: JUNE 2024 (241)</p> <p>Candidate List Declared Against: JUNE 2024 (241)</p> <p>SVHC > Threshold: Pb (4% in Component Part)</p> <p>Article Safe Usage Statements: Do not eat, drink or smoke when using this product. Wash thoroughly after handling. Recycle if possible and dispose of the article by following all applicable governmental regulations relevant to your geographic location.</p>
Halogen Content	Low Halogen - Br, Cl, F, I < 900 ppm per homogenous material. Also BFR/CFR/PVC Free
Solder Process Capability	Not reviewed for solder process capability

Product Compliance Disclaimer

This information is provided based on reasonable inquiry of our suppliers and represents our current actual knowledge based on the information they provided. This information is subject to change. The part numbers that TE has identified as EU RoHS compliant have a maximum concentration of 0.1% by weight in homogenous materials for lead, hexavalent chromium, mercury, PBB, PBDE, DBP, BBP, DEHP, DIBP, and 0.01% for cadmium, or qualify for an exemption to these limits as defined in the Annexes of Directive 2011/65/EU (RoHS2). Finished electrical and electronic equipment products will be CE marked as required by Directive 2011/65/EU. Components may not be CE marked. Additionally, the part numbers that TE has identified as EU ELV compliant have a maximum concentration of 0.1% by weight in homogenous materials for lead, hexavalent chromium, and mercury, and 0.01% for cadmium, or qualify for an exemption to these limits as defined in the Annexes of Directive 2000/53/EC (ELV). Regarding the REACH Regulation, the information TE provides on SVHC in articles for this part number is based on the latest European Chemicals Agency (ECHA) 'Guidance on requirements for substances in articles' posted at this URL: <https://echa.europa.eu/guidance-documents/guidance-on-reach>

Compatible Parts



Also in the Series | Alcoswitch AVH25



Push Button Switches(116)

Customers Also Bought



TE Part #DT04-2P
REC, 2P, GRY, N



TE Part #DT06-2S
PLG, 2P, GRY, N



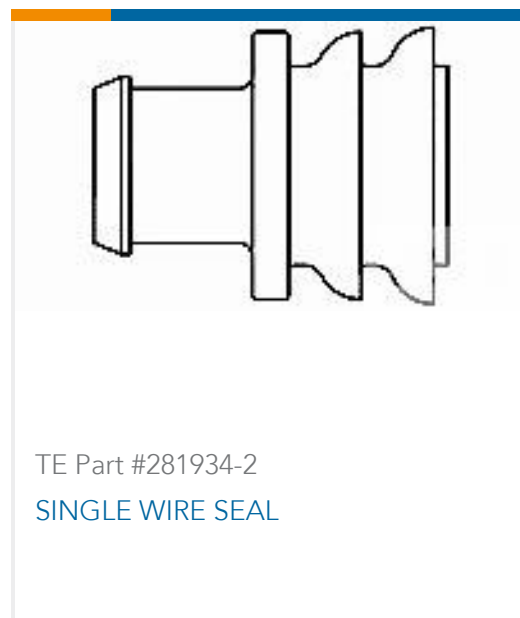
TE Part #W2S
Wedgelocks: DEUTSCH DT



TE Part #0460-202-16141
DEUTSCH Solid Contacts



TE Part #282104-1
AMP SUPERSEAL 1.5MM,
CONNECTOR HOUSING



TE Part #281934-2
SINGLE WIRE SEAL



TE Part #114017-ZZ
SEALING PLUG, SIZE 12/16, WHT

Documents

Product Drawings

[AVH25 FLT SS LK RNG GRN 24V26A](#)

English

CAD Files

[3D PDF](#)

3D

Customer View Model

[ENG_CVM_CVM_1-2364701-6_A.2d_dxf.zip](#)

English

Customer View Model

[ENG_CVM_CVM_1-2364701-6_A.3d_igs.zip](#)

English

Customer View Model

[ENG_CVM_CVM_1-2364701-6_A.3d_stp.zip](#)

English

By downloading the CAD file I accept and agree to the [Terms and Conditions](#) of use.



[Datasheets & Catalog Pages](#)

[AVH Series -Anti-Vandal High Current Pushbutton Switches](#)

English