

## SAFETY INTERLOCK SWITCH CONSTRUCTED WITH DUAL RESTORATION SPRINGS

## AV1 (GW) SWITCHES



Compliance with RoHS Directive

### FEATURES

- 8mm or more is assured as insulation distance between contacts (Snap-in mounting 2 Form A and 3 Form A type)
  - Durability of 100,000 times (10.1A 250V AC) is assured for UL interlock circuit
  - Constructed with easy-to-connect terminals
- Terminal specifications is .250 Quick-Connect (based on DIN standards)  
Connection can be made with insulating sleeve on connecting lug
- UL/C-UL, ENEC (VDE) approved

### TYPICAL APPLICATIONS

- Office equipment**
  - Copiers
  - Facsimiles
  - Projectors
- Home appliances**
  - Microwave ovens
  - Refrigerators

### ORDERING INFORMATION

Ex. AV1 4 6 5 3 F

Type of switch	Contact arrangement	Mounting method	Agency standard	Contact
AV1: GW switch	1: 3 Form A (contact gap: 8 mm) 2: 2 Form A (contact gap: 8 mm) 3: 2 Form A (contact gap: 6 mm) 4: 1 Form A 1 Form B 5: 1 Form B 6: 1 Form A	6: Screw mounting (10.1 A) 7: Snap-in mounting type (10.1 A) 8: Snap-in mounting type with button guard (10.1 A)	3: UL/C-UL, ENEC/VDE (10.1 A 250 V AC 1 × 10 <sup>5</sup> )	F: Cadmium free

### PRODUCT TYPES

Type				Part number
Mounting method	Button guard	Contact arrangement	Contact gap mm	
Screw mounting	Without	1 Form A	Min. 6	AV16653F
		1 Form B	Min. 3	AV15653F
		1 Form A 1 Form B	Max. 3	AV14653F
		2 Form A	Min. 6	AV13653F
Snap-in mounting	Without	2 Form A	Min. 8	AV12753F
		3 Form A	Min. 8	AV11753F
	With	2 Form A	Min. 8	AV12853F
		3 Form A	Min. 8	AV11853F

# AV1

## SPECIFICATIONS

### 1. Contact rating

No. of load	Resistive load ( $\cos \phi \doteq 1$ )	VDE motor load ( $\cos \phi \doteq 0.6$ )
125V AC	10.1A	3A
250V AC	10.1A	3A

\* The VDE motor load rating is in accordance with VDE 0630 motorload rating which designates an inrush current switching capability of 6 times the indicating rating.

### 2. Characteristics

Expected life	Mechanical (at 60 cpm)	10 <sup>6</sup>
	Electrical (at 20 cpm, operating speed: 10mm/sec.)	10 <sup>5</sup> (10.1A 250V AC) 5 × 10 <sup>4</sup> (10(3)A 250V~)
Insulation resistance		Min. 100MΩ at 500V DC
Dielectric strength	Between terminals	2,000 Vrms for 1 min.
	Between terminals and other exposed metal parts	2,500 Vrms for 1 min.
	Between terminals and ground	2,000 Vrms for 1 min.
Initial contact resistance, max. (by voltage drop at 1A 6 to 8V DC)		Max. 100mΩ
Temperature rise		Initial 45 deg. Max., After test 55 deg. Max.
Vibration resistance		10 to 55Hz at double amplitude of 1.5mm (Contact opening Max. 1 msec.)
Shock resistance		Min. 294 m/s <sup>2</sup>
Actuator strength		49 N for 1 minute
Tensile terminal strength		Min. 147 N
Min. operating speed		10 to 300mm/sec.
Max. operating cycle rate		60 cpm
Temperature resistance		-40°C to -45°C: 48 hours, +80°C to +90°C: 48 hours
Ambient temperature		-25 to +85°C (Not freezing below 0°C)
Flame retardancy		UL 94V-1
Tracking resistance (CTI)		Min. 175
Contact material		AgCuO alloy

\*Remark: Test condition and judgement are complying with "NECA C4505", "EN61058" and "UL1054".

### 3. Operating characteristics

#### 1) Screw mounting type

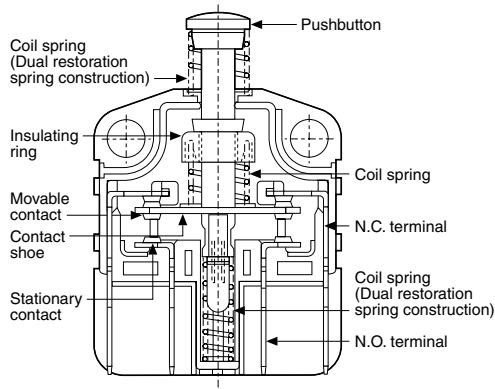
Contact arrangement	Max. O.F.	Max. T.F. pushbutton position: 10mm	Max. F.P.	O.P.	Min. T.T.P.	Min. O.T.
1 Form A	(N.O. contact to ON) 4.90N	6.37N	16.6mm	(N.O. contact to ON) 12.7±0.4mm	10mm	2.1mm
1 Form B	(N.C. contact to OFF) 2.94N	7.35N	15.3mm	(N.C. contact to OFF) 14.9±0.4mm	10mm	4.3mm
1 Form A 1 Form B	(N.O. contact to ON) 5.88N	7.35N	15.3mm	(N.O. contact to ON) 12.7±0.4mm	10mm	2.1mm
1 Form A 1 Form B	(N.C. contact to OFF) 2.94N	7.35N	15.3mm	(N.C. contact to OFF) 14.9±0.4mm	10mm	2.1mm
2 Form A	(N.O. contact to ON) 7.85N	9.81N	16.6mm	(N.O. contact to ON) 12.7±0.4mm	10mm	2.1mm

#### 2) Snap-in mounting type

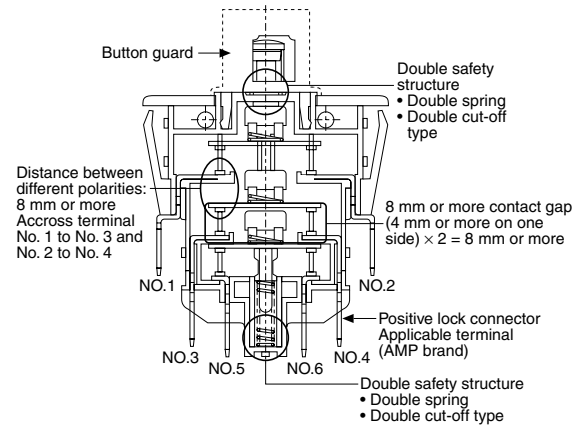
Contact arrangement	Max. O.F.	Max. T.F. pushbutton position: 10mm	Max. F.P.	O.P.	Min. T.T.P.	Min. O.T.
2 Form A	(N.O. contact to ON) 7.85N	9.81N	14mm	(N.O. contact to ON) 9.3±0.4mm	7.5mm	2.1mm
3 Form A	(N.O. contact to ON) 9.81N	14.7N	14mm	(N.O. contact to ON) 9.3±0.4mm	7.5mm	2.1mm

## CONSTRUCTION

[Screw mounting type (1 Form A 1 Form B)]



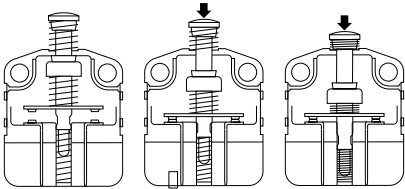
[Snap-in mounting type (3 Form A)]



## CONTACT OPERATION CHART

• 1 Form A

1. Free position
2. Operating position
3. Total travel position



## DIMENSIONS

The CAD data of the products with a **CAD Data** mark can be downloaded from: <http://panasonic-electric-works.net/ac>

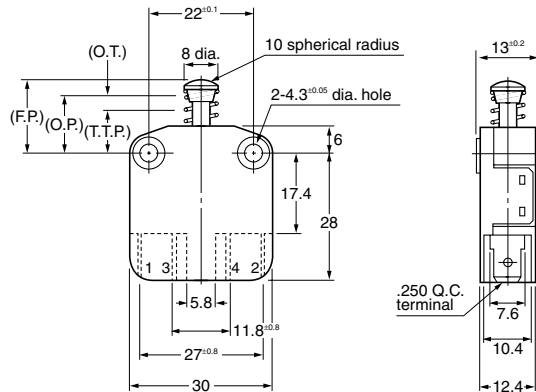
### 1. Screw mounting type

mm General tolerance:  $\pm 0.1$

1 Form A, 1 Form B, 1 Form A 1 Form B



**CAD Data**



Contact gap

1 Form A: Min. 6mm

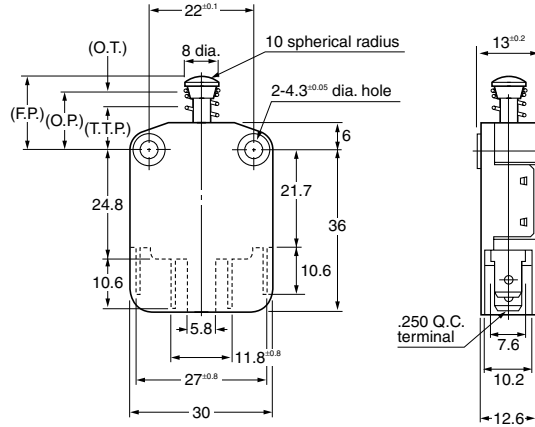
1 Form B: Min. 3mm

1 Form A 1 Form B: Max. 3mm

Remarks: Terminal no. 3 & 4 are for 1 Form A Terminal no. 1 & 2 are for 1 Form B.

# AV1

2 Form A **CAD Data**



Contact gap  
2 Form A: Min. 6mm

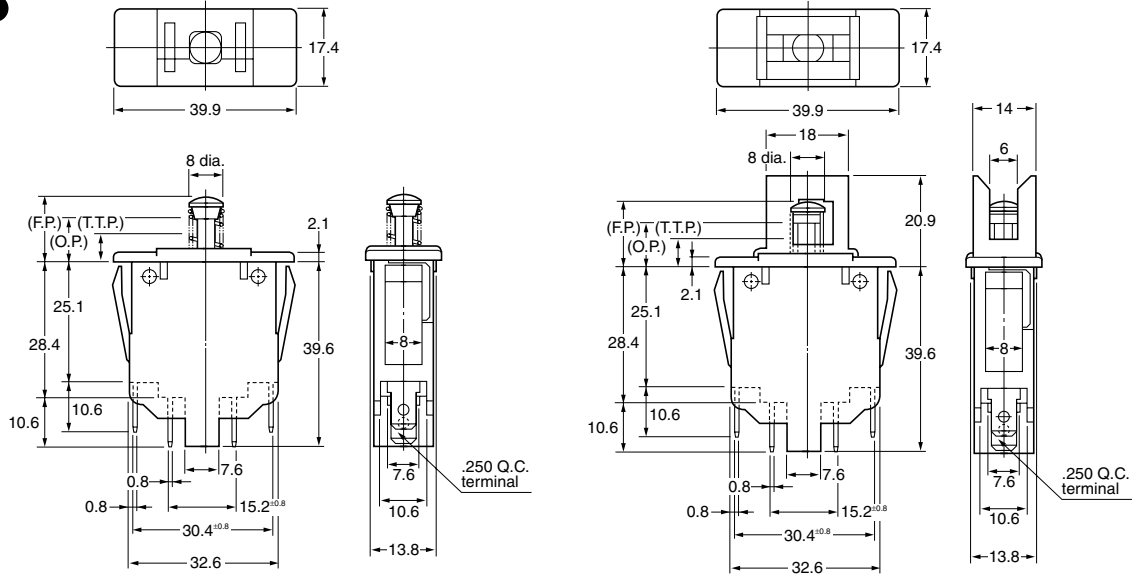
## 2. Snap-in mounting type

2 Form A **CAD Data**

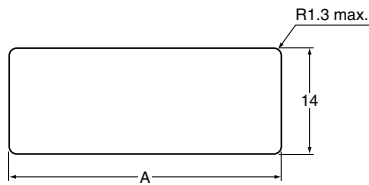


2 Form A type without button guard

2 Form A type with button guard



Recommended panel opening dimensions (common)



Contact gap  
2 Form A: Min. 8mm

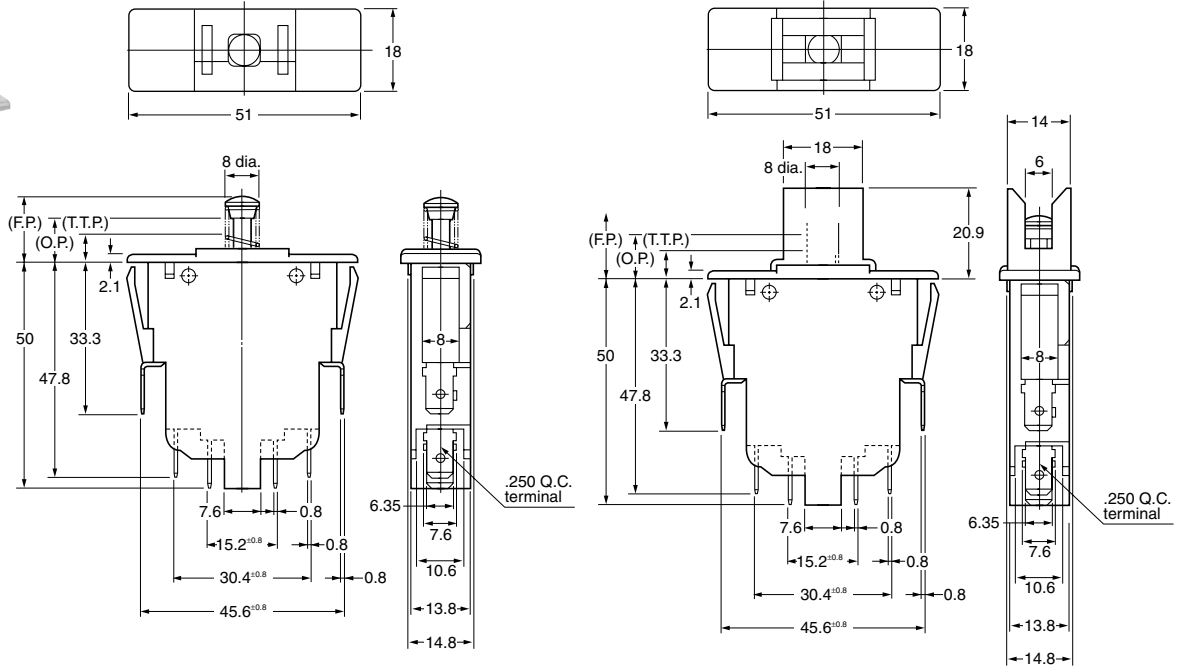
Panel thickness	1.0	2.5
Dimension A	36.7	37.7

3 Form A

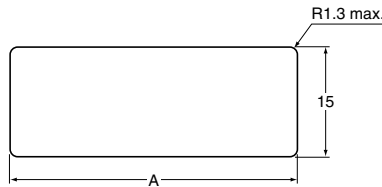
CAD Data

3 Form A type without button guard

3 Form A type with button guard



Recommended panel opening dimensions (common)



Contact gap  
3 Form A: Min. 8mm

Panel thickness	1.0	2.5
Dimension A	47.0	47.3

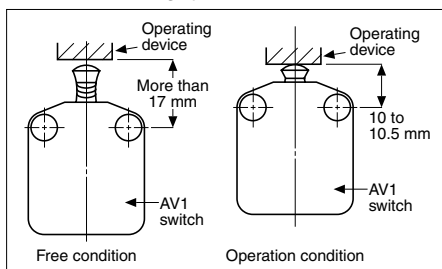
**NOTES**

**1. Switch mounting**

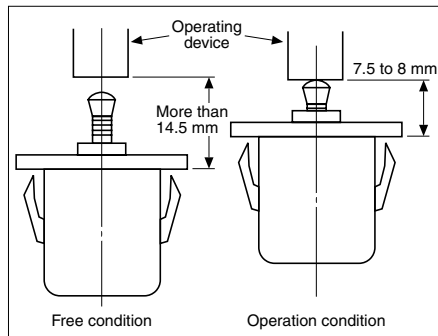
Mount the switch to a smooth surface using M4 screws. Tighten the screws with 0.3 to 0.5 N·m {3 to 5 kg·cm} torque. To prevent loosening of the mounting screws, it is recommended that spring washers be used in combination with adhesive material for locking the screws.

**2. Adjustment of the operating device:**

With respect to the position of the operating device and the switch body, set the position as indicated in the condition on the right. If this condition is exceeded, the mechanical and electrical performance will be impaired. In addition, the force applied by the operating device should be in a perpendicular direction. Even if the pushbutton is used in the full total travel position, there will be no influence on the life of the switch. Screw mounting type



**Snap-in mounting type**



**3. Confirming insulating distance:**

Before mounting and wiring, the insulating distance between terminals and between terminals and ground should be checked for assurance of proper distance. With respect to the terminal connections, it is recommended that receptacles with insulating sleeves be used.

Also, consideration should be given to the wiring not to apply force to the terminal section normally.

**4. Avoid using AV1 switches in the following conditions:**

- Locations where hydrogen sulfide gas or other corrosive gases exist.
- Locations where gasoline, thinner, or other inflammable or explosive gases exist.
- Locations where there is dust and refuse.
- For operation where the perpendicular operating speed is less than 10mm/sec.
- For operation frequency of make/break exceeding 60 cpm.
- For ambient temperatures exceeding the range of -25°C to +85°C.
- For ambient humidity exceeding 85% R.H.
- For use in a silicon atmosphere.

**5. For use of AV14653F (1a1b type):**

For the type AV14653F, the air distance between the N.O. and N.C. contacts is less than the required value of VDE. The N.O. and the N.C. contacts can carry only the same electric potential.