

**Material:**

- Contacts: Phosphor Bronze
- Insulator: PBT
- Shell: Brass

**Mechanical:**

- Mating: 35N Max.
- Withdrawal Force: 10N Min.
- Durability: 1,500 Cycles Min.

**Electrical:**

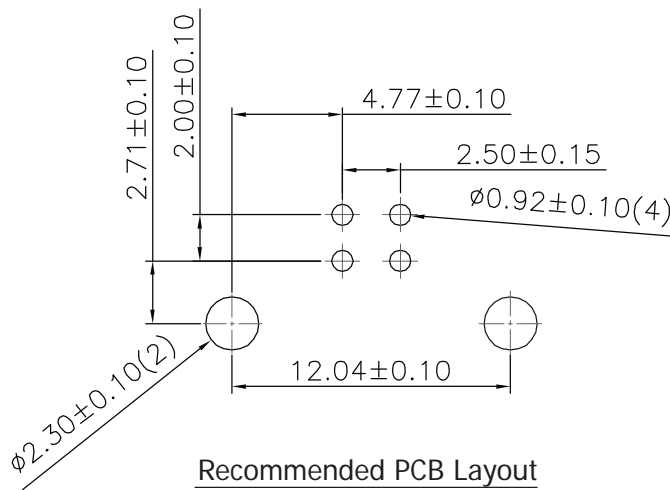
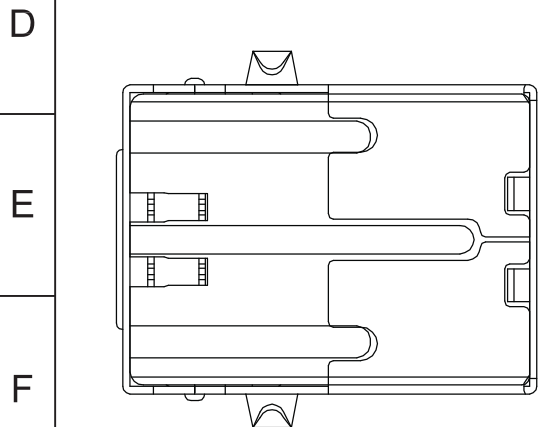
- Current - Max(Amps): 1.5A
- Voltage - Max(Volts): 30V
- Withstanding voltage: 500V AC
- Contact Resistance: 30MΩ Max.
- Insulation Resistance: 1,000MΩ Min.

**Plating:**

- Contacts: Gold Flash & Tin over Nickel plated
- Shell: Nickel over all plating

**Environmental:**

- Temperature: -55°C ~ +50°C
- Soldering Temperature: 223.3°C Max.



Recommended PCB Layout

Unit: mm



Scale	1:1					Date	Name	Title <b>USB 1.1 Connector - Type B</b> PCB Mounting, 5µ" Gold, White Insulator
TOLERANCE					Drawn	01.04.12	Chappell	
X.X	±0.40				Approved	01.04.12	Skinner	ASSMANN WSW-No.
X.XX	±0.25							<b>AU-Y1007-R</b>
X.XXX	±0.15							Drawing-No.
DIM	TOL							
X.°	±3°							rev01
X.X°	±X°	①	Changed Insulator: LCP+30% GF, UL94-V-0, Black to PCB Changed Temperature Range from -55°C~+85°C to -55°C~+50°C	01.04.12	Chappell			Replace
Angle	TOL	Id.	Modification	Date	Name			Sheet 1/1



1

2

3

4

5

6

7