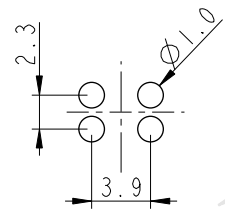
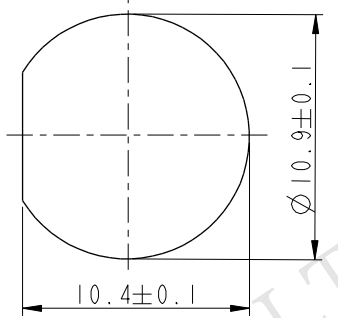


THIS DOCUMENT IS SUBJECT TO CHANGE WITHOUT NOTICE. IT IS CONFIDENTIAL AND A PROPERTY OF Amphenol LTW. DISCLOSURE TO THIRD PARTY HAS TO BE AUTHORIZED BY Amphenol LTW.

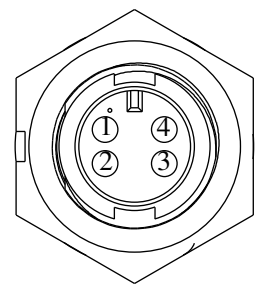
REV.	ECN NO.	DATE	SIGN	DESCRIPTION
B	LEN-750092	2007/04/20	A.F. Valentino	Changed Precision Of Dimensions And Applied New Format
C	LEN-8A0142	2008/09/15	Shin	Add Notes
D	LEN1530181	2014/12/17	Ruru	Change Logo



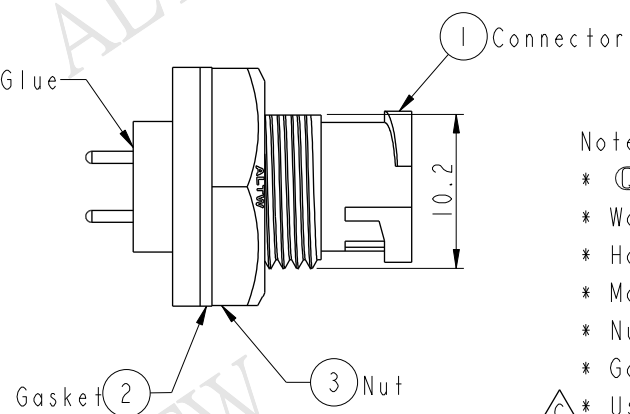
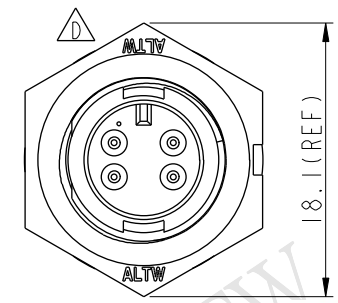
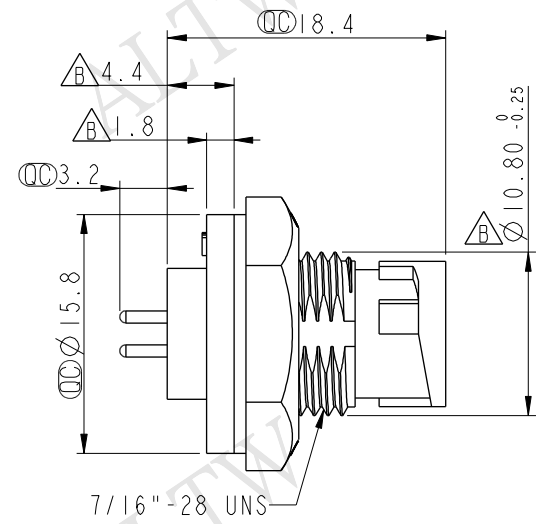
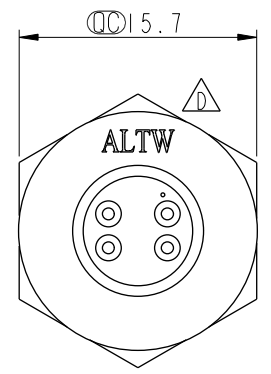
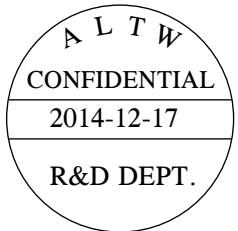
PCB Layout



Recommended Panel Cut-Out



Pin Assignments Front View



Note:

- * \varnothing Important Dimension.
- * Waterproof Rate: IP67
- * Housing: Nylon+GF, Black
- * Male Pin: Copper Alloy, Gold Plated
- * Nut: Nylon+GF, Black
- * Gasket: EPDM, Black
- \triangle * Use with waterproof cap or dust cap
Panel Thickness max: 2.5mm
- \triangle * Use without waterproof cap or dust cap
Panel Thickness max: 3.5mm

UNIT:mm		TITLE Mini Panel Lock 4Pin M Conn. M Pin			ITEM NO AU-04PMMP-LC7001	DRAWN BY Ruru	DATE 2014-12-17
		SCALE 2:1	SIZE A4	SHEET 1 OF 1	DWG NO AU-04PMMP-LC7001	CHECKED BY Rita	DATE 2014-12-17
TOLERANCE .X ±0.25 .XX ±0.1 .XXX ±0.05 ANGLES ±1°		REV. D	WC-REV. A.1	\varnothing : Inspection item Amphenol LTW 安費諾亮泰企業股份有限公司	CUSTOMER ALTW	APPROVED BY Win	DATE 2014-12-17