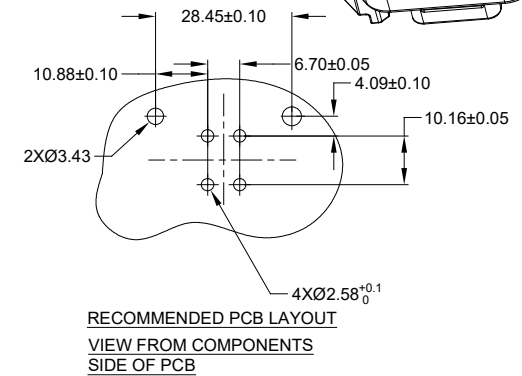
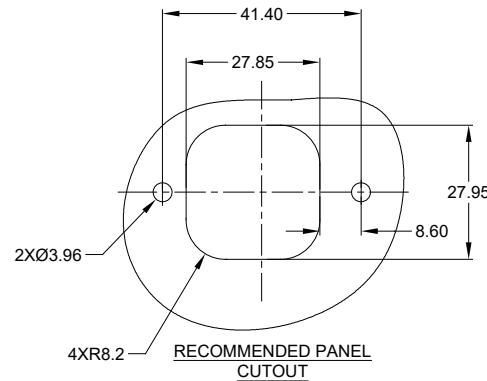
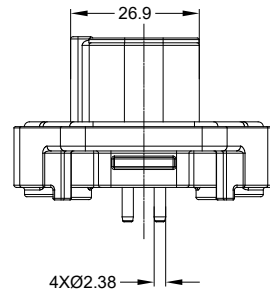
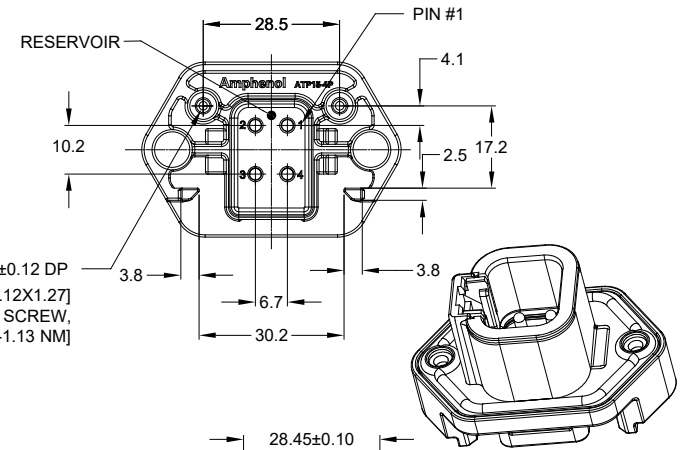
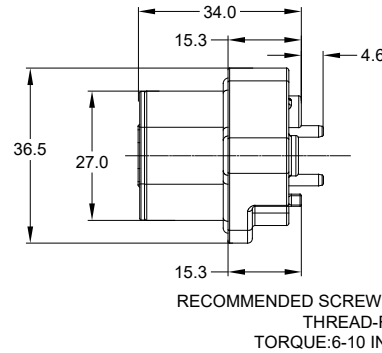
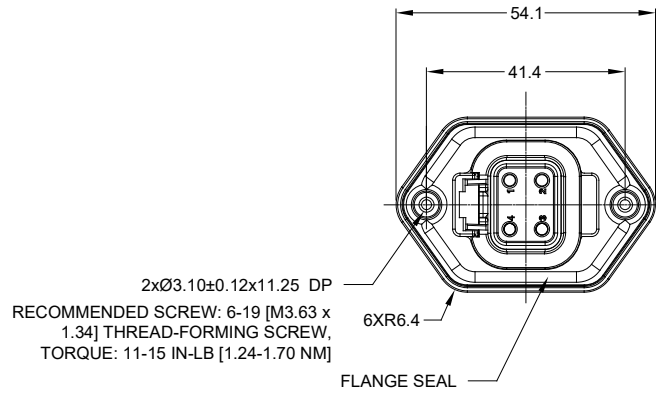


REVISIONS					
REV	ECO	DESCRIPTION	DATE	BY	APPR
A1	-	RELEASE	6JUN19	JAH	TOMMY



NOTES: UNLESS OTHERWISE SPECIFIED

- MATERIAL:  
HOUSING: THERMOPLASTIC  
SEAL: SILICONE RUBBER  
CONTACT: COPPER ALLOY
- MODIFICATIONS: FLANGE; PCB MOUNT STRAIGHT
- SPECIFICATIONS:  
3.1 CURRENT RATING: 25 AMPS  
3.2 OPERATING TEMPERATURE: -55°C TO +125°C  
3.3 DIELECTRIC WITHSTANDING VOLTAGE: LESS THAN 2 MILLIAMPS CURRENT LEAKAGE @ 1500 VOLTS AC.  
3.4 INSULATION RESISTANCE: 1000 MEGOHMS MIN @ 25°C  
3.5 MOISTURE RESISTANCE: IP67 ( MATED CONDITION )  
3.6 MATING CYCLE DURABILITY: 100 CYCLES  
3.7 RoHS COMPLIANT
- MATING PART: ATP06-4S\*  
(\* = ALL MODIFICATIONS)
- ALL DIMENSIONS ARE FOR REFERENCE USE ONLY

ATP15-4P-BM0XXXX VARIANTS			
CONTACT PLATING	POTTING OR NOT IN RESERVOIR	COLOR	PART NUMBER
GOLD	NO POTTING	GRAY	ATP15-4P-BM01GRY
GOLD	POTTING	GRAY	ATP15-4P-BM02GRY
TIN	NO POTTING	GRAY	ATP15-4P-BM03GRY
TIN	POTTING	GRAY	ATP15-4P-BM04GRY
GOLD	NO POTTING	BLACK	ATP15-4P-BM01BLK
GOLD	POTTING	BLACK	ATP15-4P-BM02BLK
TIN	NO POTTING	BLACK	ATP15-4P-BM03BLK
TIN	POTTING	BLACK	ATP15-4P-BM04BLK

ATP15-4P-BM0XXXX		REF: DTP15-4P	
QUANTITY	PART NUMBER	DESCRIPTION	ITEM
<b>MATERIALS LIST</b>			
UNLESS OTHERWISE SPECIFIED: 1) All dimensions are in metric (mm). 2) Tolerances are as follows: 1 PL DEC ±0.30 Fractions ±1/64 2 PL DEC ±0.15 Angles ±1° 3 PL DEC ±0.08		SIGNATURES DATE DRAWN: PTERYANG 14MAY19 CHECKED: ORONLI 14MAY19 ENGINEER: APPROVAL: TOMMYXIE 14MAY19	
MATERIAL SPECIFICATIONS:		CUSTOMER:	
PROCESS SPECIFICATIONS:		THIS DRAWING IS SUPPLIED FOR INFORMATION ONLY. DESIGN FEATURES, SPECIFICATIONS AND PERFORMANCE DATA SHOWN HEREON ARE THE PROPERTY OF THE AMPHENOL CORPORATION. NO RIGHTS OF REPRODUCTION ARE IMPLIED. ALL DIMENSIONS ARE SUBJECT TO NORMAL MANUFACTURING VARIATIONS.	
NEXT ASSY:		SIZE: <b>B C</b>	TYPE: <b>ATP15-4P-BM0XXXX</b>
		SCALE: NONE	REVISION: <b>A1</b>
		SHEET 1 OF 1	

TITLE: BOARD MOUNT RECEPTACLE 4 PIN, ST FLANGE, ATP SERIES  
DWG NO: ATP15-4P-BM0XXXX  
REV: A1  
SH: 1  
OF: 1