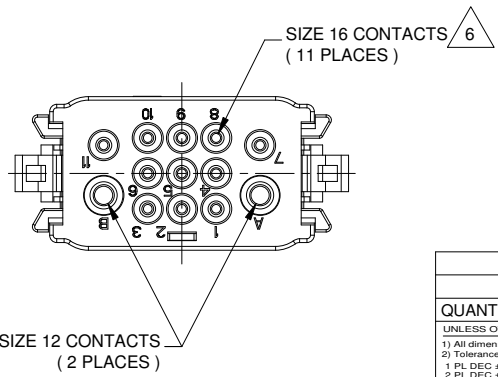
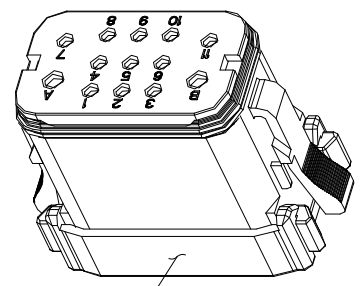
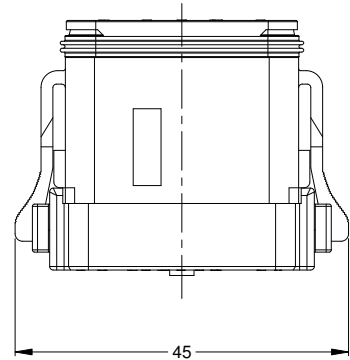
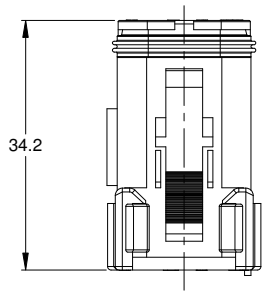
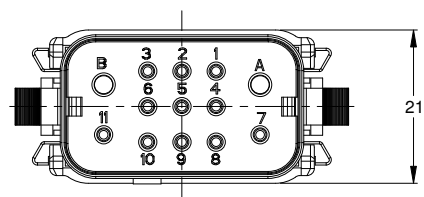


| REVISIONS |     |                       |          |     |      |
|-----------|-----|-----------------------|----------|-----|------|
| REV       | ECO | DESCRIPTION           | DATE     | BY  | APPR |
| A1        | -   | RELEASE ON NEW FORMAT | 6APR2017 | JAH | -    |



NOTES: UNLESS OTHERWISE SPECIFIED

- MATERIAL:  
HOUSING: THERMOPLASTIC; COLOR: BLACK  
SEAL: SILICONE RUBBER
- MODIFICATIONS: END CAP
- SPECIFICATIONS:  
3.1 CURRENT RATING: SEE NOTE 6  
3.2 OPERATING TEMPERATURE: -55°C TO +125°C  
3.3 DIELECTRIC WITHSTANDING VOLTAGE: LESS THAN 2 MILLIAMPS CURRENT LEAKAGE @ 1500 VOLTS AC.  
3.4 INSULATION RESISTANCE: 1000 MEGOHMS MIN @ 25°C.  
3.5 MOISTURE RESISTANCE: IP67 ( MATED CONDITION )  
3.6 MATING CYCLE DURABILITY: 100 CYCLES  
3.7 RoHS COMPLIANT
- MATING PART: AT1612-13PB\* RECEPTACLE  
(\* = MODIFICATIONS)
- ALL DIMENSIONS ARE FOR REFERENCE USE ONLY.

△ CONTACT SIZE AND REAR SEAL WIRE RANGE:

| CONTACT SIZE | MIN. INSUL O.D.   | MAX. INSUL O.D.   | TYPICAL WIRE RANGE | CURRENT RATING |
|--------------|-------------------|-------------------|--------------------|----------------|
| 16           | 2.24 mm (.088 in) | 3.68 mm (.145 in) | 14-20 AWG          | 13 AMPS        |
| 12           | 3.40 mm (.134 in) | 4.95 mm (.195 in) | 12-14 AWG          | 25 AMPS        |

|  |                |  |          |   |
|--|----------------|--|----------|---|
| AT1612-13SB  |                |  |          |   |
| PART NUMBER  |                | DESCRIPTION  |          | ITEM  |
| QUANTITY   | MATERIALS LIST |  |          |   |
| UNLESS OTHERWISE SPECIFIED   |                | SIGNATURES   | DATE     | <h1>Amphenol</h1> <p>Sine Systems - www.amphenol-sine.com<br/>44724 Morley Drive<br/>Clinton Township, MI 48036</p> <p>AT SERIES, PLUG, 13 SOCKET</p> |
| 1) All dimensions are in metric(mm).<br>2) Tolerances are as follows:<br>1 PL DEC ±0.30   Fractions ±1/64<br>2 PL DEC ±0.15   Angles ±1°<br>3 PL DEC ±0.08 |                | DRAWN: J. HEAD   | 6APR2017 |   |
| 3) Note reference = △  |                | CHECKED:   |          |   |
|  |                | ENGINEER:  |          |   |
| MATERIAL SPECIFICATIONS:   |                | APPROVAL:  |          |   |
| PROCESS SPECIFICATIONS:  |                | CUSTOMER:  |          |   |
| NEXT ASSY:   |                | THIS DRAWING IS SUPPLIED FOR INFORMATION ONLY. DESIGN FEATURES, SPECIFICATIONS AND PERFORMANCE DATA SHOWN HEREON ARE THE PROPERTY OF THE AMPHENOL CORPORATION. NO RIGHTS OF REPRODUCTION ARE IMPLIED. ALL DIMENSIONS ARE SUBJECT TO NORMAL MANUFACTURING VARIATIONS. |          | SIZE: <b>B C-</b><br>SCALE: NONE<br>DWG NO: <b>AT1612-13SB</b><br>REVISION: <b>A1</b>   |
|  |                |  |          | SHEET 1 OF 1  |

TITLE: AT SERIES PLUG 13 SOCKET  
DWG NO: AT1612-13SB  
REV: A1  
SH: 1  
OF: 1