



www.RFPOD.com

RF PARTS ON DEMAND

PRODUCT LINE OF MECA ELECTRONICS, INC.

459 EAST MAIN STREET, DENVER NJ 07834

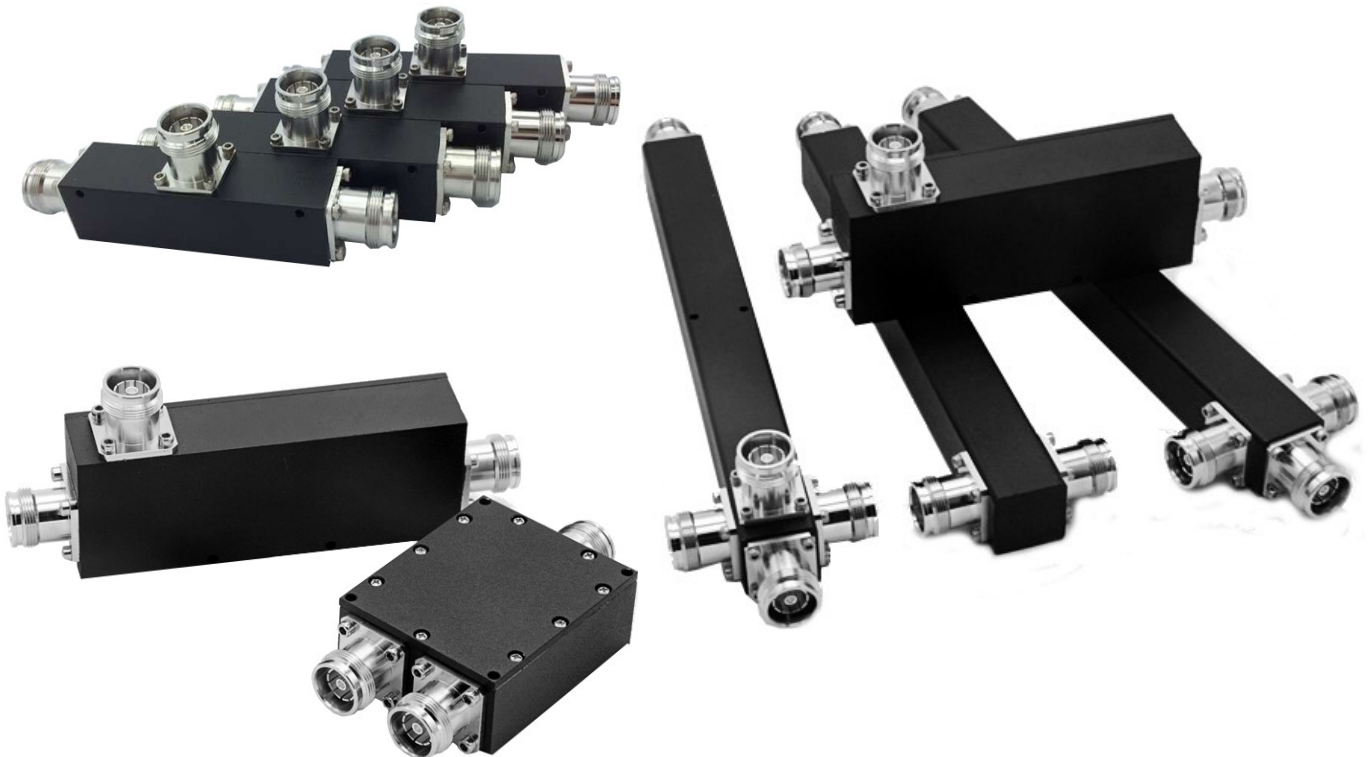
T:973-625-0661 / F:973-625-9277 / SALES@RFPOD.COM



BETTER WIRELESS SOLUTIONS

COST EFFECTIVE & RELIABLE, GLOBALLY MANUFACTURED PRODUCTS

WIRELESS CATALOG ISSUE 1.6



Index

Product Type	Page	Product Type	Page
Low PIM Power Dividers	2	Low PIM Terminations	20
Low PIM Power Splitters	4	Diplexers	23
Low PIM Hybrids/Combiners	8	Multiplexers/Multiband Combiners	24
Low PIM Couplers	11	Point of Interface (POI's)	32
Low PIM Tappers	13	Terminations	34
Low PIM Attenuators	17	Rack Mount Solutions	35



RF PARTS ON DEMAND

DIV OF MECA ELECTRONICS, INC.

459 EAST MAIN STREET, DENVER NJ 07834

T:973-625-0661 / F:973-625-9277 / SALES@RFPOD.COM



BETTER WIRELESS SOLUTIONS

COST EFFECTIVE & RELIABLE, GLOBALLY MANUFACTURED PRODUCTS

2, 3, & 4-WAY LOW PIM SPLITTERS

-Combine or Divide 2, 3 or 4 signals -Broad Band 600-2,700 MHz

-Low PIM

-4.3/10.0 Interface

-IP65 Indoor/Outdoor rated

-RoHS Compliant

Electrical Specifications:	Wilkinson Divider		
Divisions of Power:	2-Way	3-Way	4-Way
Part Number:	PD2-0627-4310FLP	PD3-0627-4310FLP	PD4-0627-4310FLP
Frequency:	0.600-2.700 GHz		
Division Loss (Nominal):	3.0 dB	4.8 dB	6.0 dB
Insertion Loss (Typ / Max):	0.5 / .08 dB		
Isolation (Typ/Min):	23dB / 17 dB	25dB / 18 dB	23dB / 14 dB
VSWR (Typ/Max):	1.15:1 / 1.40:1	1.15:1 / 1.40:1	1.15:1 / 1.45:1
PIM (Sum Port):	-155 dBc Nominal		
Connector:	4.3/10.0 Female		
RF Power (Sum port):	50 Watts		
DC Pass:	All		
Temperature:	-30 - +70 C		
Ingress Protection:	IP65		
Warranty:	1 Year		
ECCN #:	EAR99		

Rev 5



www.RFPOD.com

RF PARTS ON DEMAND

DIV OF MECA ELECTRONICS, INC.

459 EAST MAIN STREET, DENVER NJ 07834

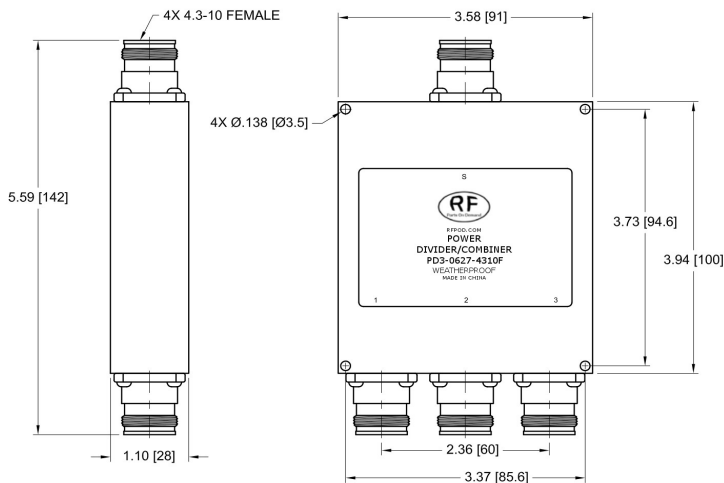
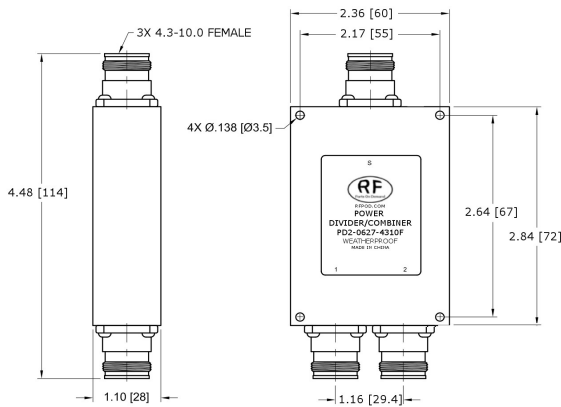
T:973-625-0661 / F:973-625-9277 / SALES@RFPOD.COM



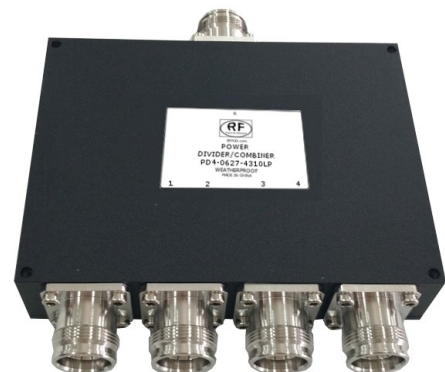
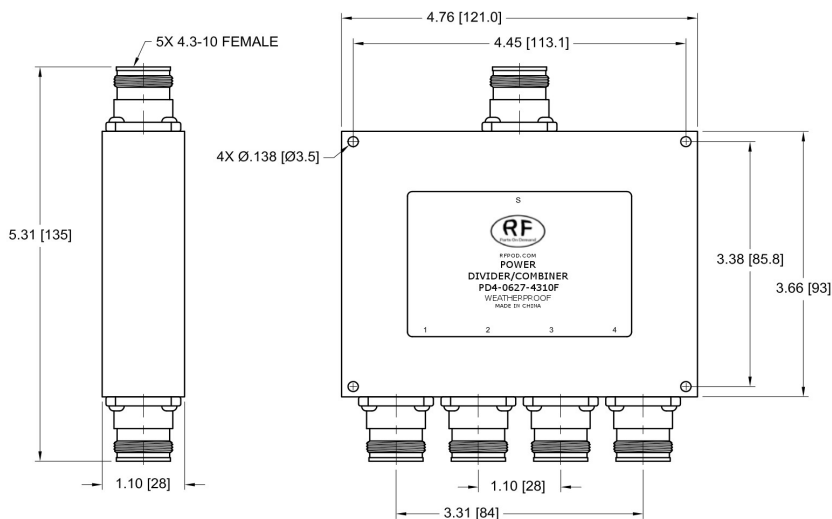
BETTER WIRELESS SOLUTIONS

COST EFFECTIVE & RELIABLE, GLOBALLY MANUFACTURED PRODUCTS

2, 3, & 4-WAY LOW PIM SPLITTERS



Rev 1



Rev 4



RF PARTS ON DEMAND

DIV OF MECA ELECTRONICS, INC.

459 EAST MAIN STREET, DENVER NJ 07834

T:973-625-0661 / F:973-625-9277 / SALES@RFPOD.COM



BETTER WIRELESS SOLUTIONS

COST EFFECTIVE & RELIABLE, GLOBALLY MANUFACTURED PRODUCTS

Low PIM SPLITTERS, 600-2,700 MHz

-Split/Divide 2, 3 or 4 signals

-Broad Band 600-2,700 MHz

-Low PIM

-4.3/10.0 Interface

-IP65 Indoor/Outdoor rated

-RoHS Compliant

Specifications:			
Divisions of Power:	2-Way	3-Way	4-Way
Part Number.	PS2-0627-4310F	PS3-0627-4310F	PS4-0627-4310F
Frequency:	0.600 - 2.700 GHz		
Insertion Loss (Nominal):	.4 dB	.6 dB	.7 dB
Split Loss (Nominal):	3 dB	4.8 dB	6 dB
VSWR (Typ/Max):	1.30:1	1.30:1	1.35:1
PIM:	-153 dBc Nominal		
Connector:	4.3/10.0 Female		
RF Power (Sum port):	200 Watts		
Temperature:	-30 - +70 °C		
Ingress Protection:	IP65		
Weight:	.95 lbs / .43kg	1.05 lbs / .48kg	1.15 lbs / .52kg
Warranty:	1 Year		
ECCN#:	EAR99		

Rev 2



www.RFPOD.com

RF PARTS ON DEMAND

DIV OF MECA ELECTRONICS, INC.

459 EAST MAIN STREET, DENVER NJ 07834

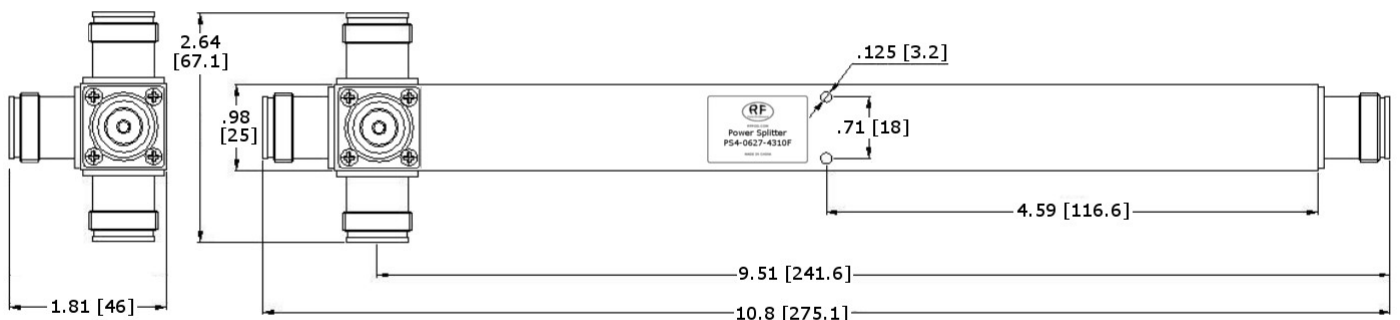
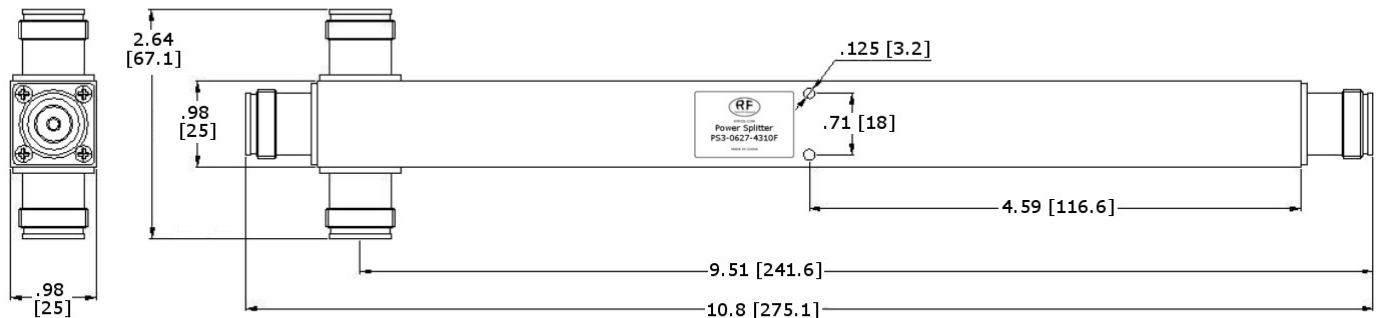
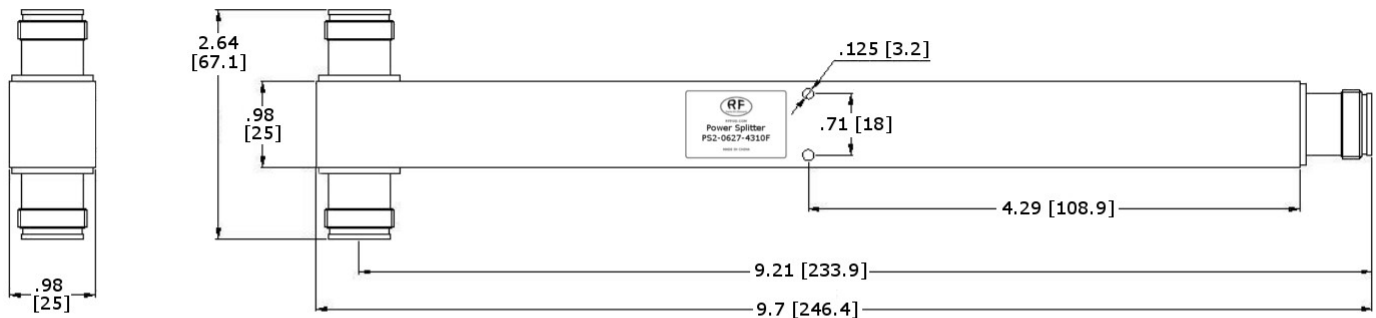
T:973-625-0661 / F:973-625-9277 / SALES@RFPOD.COM



BETTER WIRELESS SOLUTIONS

COST EFFECTIVE & RELIABLE, GLOBALLY MANUFACTURED PRODUCTS

Low PIM SPLITTERS, 600-2,700 MHz





RF PARTS ON DEMAND

DIV OF MECA ELECTRONICS, INC.

459 EAST MAIN STREET, DENVER NJ 07834

T:973-625-0661 / F:973-625-9277 / SALES@RFPOD.COM



BETTER WIRELESS SOLUTIONS

COST EFFECTIVE & RELIABLE, GLOBALLY MANUFACTURED PRODUCTS

LOW PIM SPLITTERS, 350-2,700 MHz

-Split/Divide 2, 3 or 4 signals

-Extended Broad Band 350-2,700 MHz

-Low PIM

-4.3/10.0 Interface

-IP65 Indoor/Outdoor rated

-RoHS Compliant

Specifications:			
Divisions of Power:	2-Way	3-Way	4-Way
Part Number.	PS2-0327-4310F	PS3-0327-4310F	PS4-0327-4310F
Frequency:	0.350 - 2.700 GHz		
Insertion Loss (Nominal):	.5 dB	.6 dB	.7 dB
Split Loss (Nominal):	3 dB	4.8 dB	6 dB
VSWR (Typ/Max):	1.30:1	1.30:1	1.35:1
PIM:	-153 dBc Nominal		
Connector:	4.3/10.0 Female		
RF Power (Sum port):	300 Watts		
Temperature:	-30 - +70 °C		
Ingress Protection:	IP65		
Weight:	1.05 lbs / .48kg	1.17 lbs / .53kg	1.3 lbs / .58kg
Warranty:	1 Year		
ECCN#:	EAR99		

Rev 1



www.RFPOD.com

RF PARTS ON DEMAND

DIV OF MECA ELECTRONICS, INC.

459 EAST MAIN STREET, DENVER NJ 07834

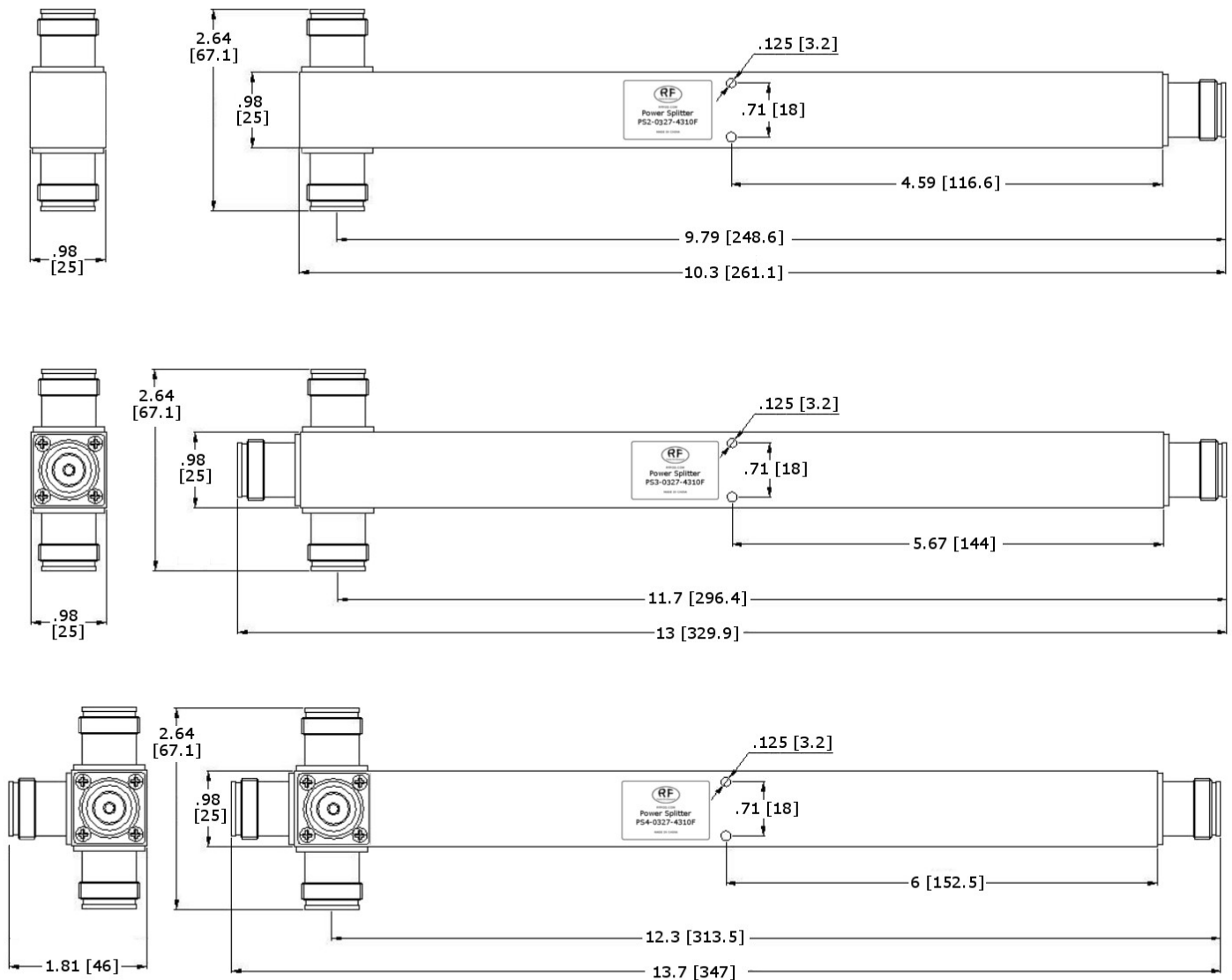
T:973-625-0661 / F:973-625-9277 / SALES@RFPOD.COM



BETTER WIRELESS SOLUTIONS

COST EFFECTIVE & RELIABLE, GLOBALLY MANUFACTURED PRODUCTS

LOW PIM SPLITTERS, 350-2,700 MHz





RF PARTS ON DEMAND

DIV OF MECA ELECTRONICS, INC.

459 EAST MAIN STREET, DENVER NJ 07834

T:973-625-0661 / F:973-625-9277 / SALES@RFPOD.COM



BETTER WIRELESS SOLUTIONS

COST EFFECTIVE & RELIABLE, GLOBALLY MANUFACTURED PRODUCTS

2x2, 3x3, & 4x4 Low PIM COMBINER/DIVIDERS

-Combine or Divide 2, 3 or 4 signals -Broad Band 380/600-2,700 MHz

-Low PIM

-4.3/10.0 Interface

-IP65 Indoor/Outdoor rated

-RoHS Compliant

Electrical Specifications:			
Divisions of Power:	2x2	3x3	4x4
Part Number.	HC2x2-4310F	HC3x3-4310F	HC4x4-4310F
Frequency:	0.380 - 2.700 GHz	0.600 - 2.700 GHz	0.600 - 2.700 GHz
Coupling (Nominal):	3.1 dB	6.0 dB	6.0 dB
Insertion Loss (Nominal):	1 dB	2 dB	2 dB
Isolation (Typ/Min):	24dB / 19 dB	23dB / 18 dB	23dB / 18 dB
VSWR (Typ/Max):	1.20:1 / 1.35:1		
PIM:	-155 dBc Nominal		
Connector:	4.3/10.0 Female		
RF Power (Sum port):	300 Watts	100 Watts	100 Watts
Temperature:	-35 - +65 C		
Ingress Protection:	IP65		
Warranty:	1 yEAR		
ECCN#:	EAR99		

Rev 5



www.RFPOD.com

RF PARTS ON DEMAND

DIV OF MECA ELECTRONICS, INC.

459 EAST MAIN STREET, DENVER NJ 07834

T:973-625-0661 / F:973-625-9277 / SALES@RFPOD.COM

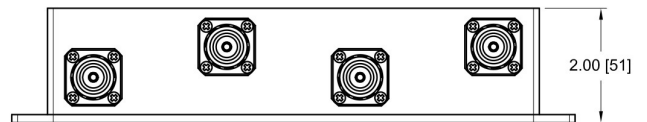
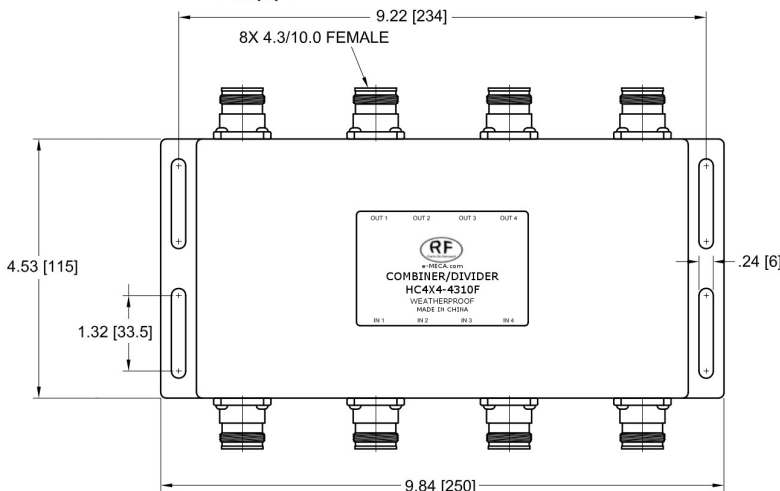
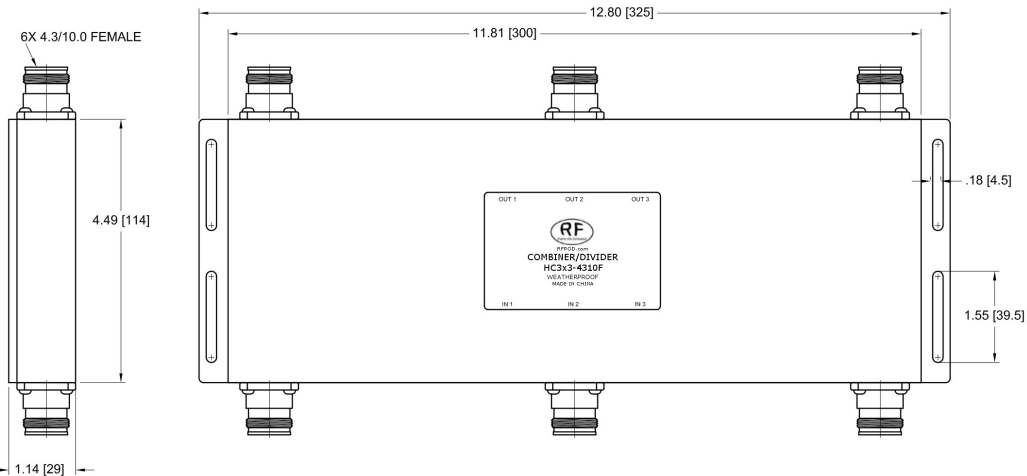
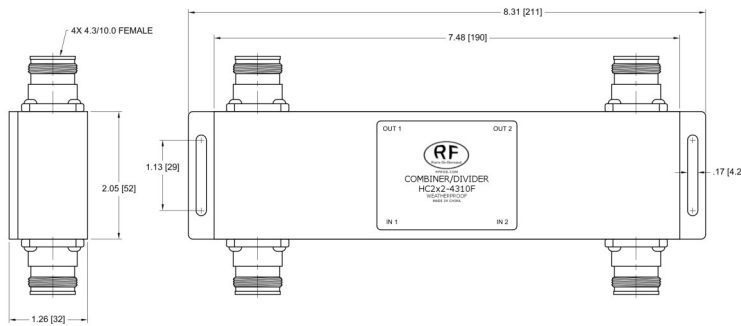


BETTER WIRELESS SOLUTIONS

COST EFFECTIVE & RELIABLE, GLOBALLY MANUFACTURED PRODUCTS

2x2, 3x3, & 4x4 Low PIM

COMBINER/DIVIDERS





www.RFPOD.com

RF PARTS ON DEMAND

DIV OF MECA ELECTRONICS, INC.

459 EAST MAIN STREET, DENVER NJ 07834

T:973-625-0661 / F:973-625-9277 / SALES@RFPOD.COM

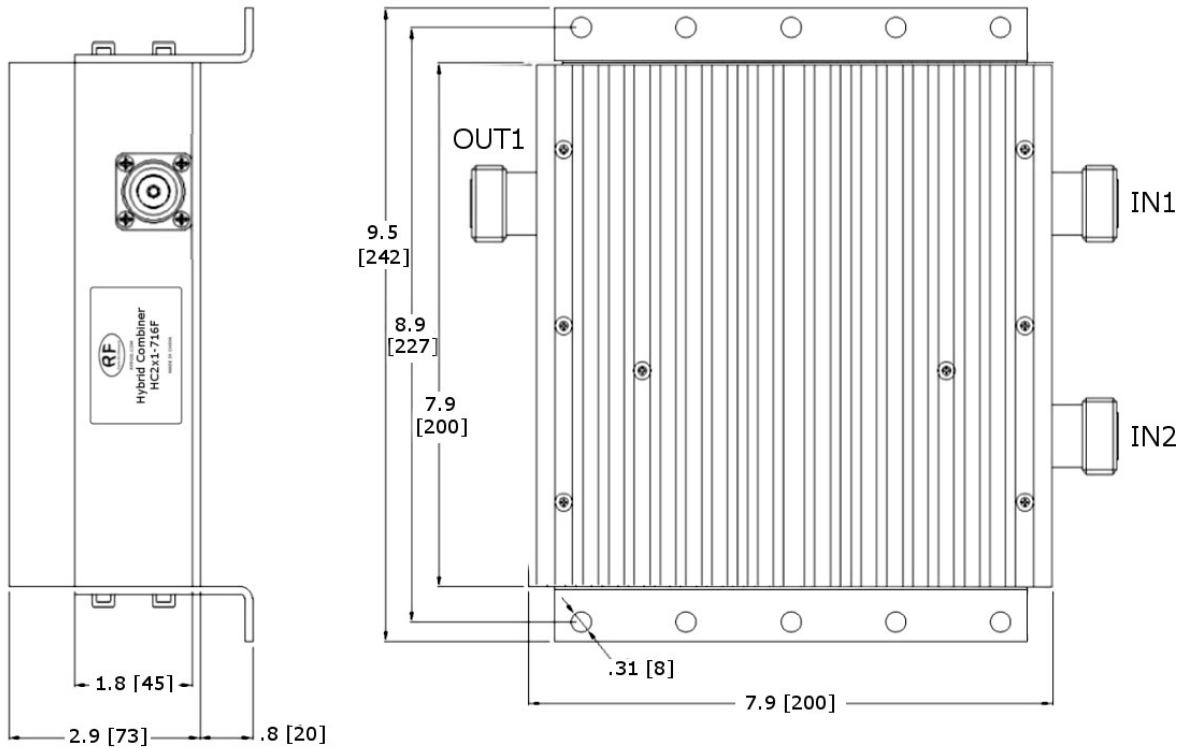


BETTER WIRELESS SOLUTIONS

COST EFFECTIVE & RELIABLE, GLOBALLY MANUFACTURED PRODUCTS

2x1 Low PIM Hybrid Combiner

- Combine or Divide 2 signals
- Broad Band 698-2,700 MHz
- Low PIM
- 7/16 Interface
- RoHS Compliant



Specifications:			
Divisions of Power:	2x1	Connector:	7/16 Female
Part Number:	HC2x1-716F	RF Power (Sum port):	150 Watts
Frequency:	0.698 - 2.700 GHz	Temperature:	-40 - +65 °C
Coupling (Nominal):	3.1 dB	Weight:	7.7 [3.5kg]
Insertion Loss (Nominal):	0.6 dB	Ingress Protection:	IP60
Isolation (Typ/Min):	24dB / 20 dB	Warranty:	1 Year
VSWR (Typ/Max):	1.20:1 / 1.35:1	ECCN#:	EAR99
PIM:	-155 dBc Nominal		

Rev 3



www.RFPOD.com

RF PARTS ON DEMAND

DIV OF MECA ELECTRONICS, INC.

459 EAST MAIN STREET, DENVER NJ 07834

T:973-625-0661 / F:973-625-9277 / SALES@RFPOD.COM



BETTER WIRELESS SOLUTIONS

COST EFFECTIVE & RELIABLE, GLOBALLY MANUFACTURED PRODUCTS

LOW PIM DIRECTIONAL COUPLER TYPE N

-Broad Band 600-2,700 MHz

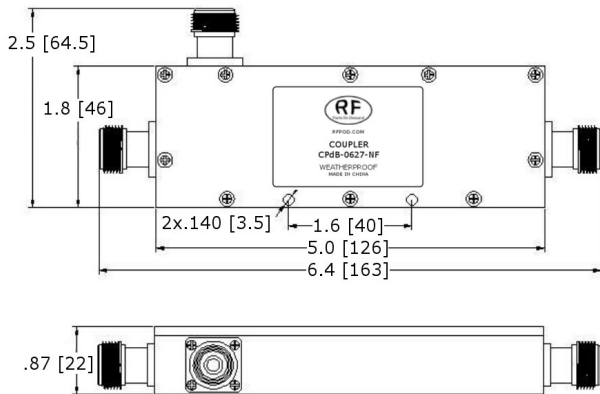
-6, 10, 15, 20 & 30dB

-Low PIM

-Type N Interface

-RoHS Compliant

-IP65 Indoor/Outdoor rated



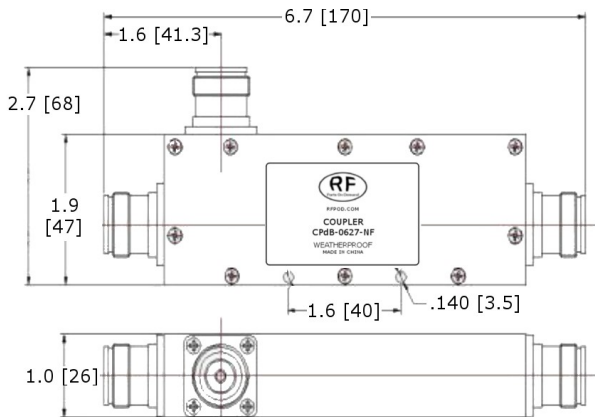
Electrical Specifications:						
Coupling (Nominal):	6dB	8dB	10dB	15dB	20dB	30dB
Part Number:	CN06-0627-NF	CN08-0627-NF	CN10-0627-NF	CN15-0627-NF	CN20-0627-NF	CN30-0627-NF
Frequency:	0.600 - 2.700 GHz					
Coupling Accuracy:	±1.0 dB		±1.25 dB		±1.5 dB	
Insertion Loss (Max):	2.0 dB	1.3 dB	0.8 dB	0.5 dB	0.4 dB	0.4 dB
Directivity (Typ/Min):	23dB / 20dB		23dB / 18dB		23dB / 18dB	
VSWR (Typ/Max):	1.30:1 / 1.35:1		PIM:		-153 dBc Nominal	
RF Power:	200 Watts		Connector:		Type N-Female	
Temperature:	-31—+149 °F / [-35—+65 C]		Ingress Protection:		IP65	
Weight:	1.85lbs [.85kg]		Warranty:		1 Year	
ECCN #:	EAR99		Revision:		2	

BETTER WIRELESS SOLUTIONS

COST EFFECTIVE & RELIABLE, GLOBALLY MANUFACTURED PRODUCTS

LOW PIM DIRECTIONAL COUPLER TYPE 4.3/10.0

- Broad Band 600-2,700 MHz
- 6, 10, 15, 20 & 30dB
- Low PIM
- 4.3/10.0 Interface
- RoHS Compliant
- IP65 Indoor/Outdoor rated



Electrical Specifications:						
Coupling (Nominal):	6dB	8dB	10dB	15dB	20dB	30dB
Part Number:	CN06-0627-4310F	CN08-0627-4310F	CN10-0627-4310F	CN15-0627-4310F	CN20-0627-4310F	CN30-0627-4310F
Frequency:	0.600 - 2.700 GHz					
Coupling Accuracy:	±1.0 dB		±1.25 dB		±1.5 dB	
Insertion Loss (Max):	2.0 dB	1.3 dB	0.8 dB	0.5 dB	0.4 dB	0.4 dB
Directivity (Typ/Min):	23dB / 20dB		23dB / 18dB		23dB / 18dB	
VSWR (Typ/Max):	1.30:1 / 1.35:1		PIM:		-153 dBc Nominal	
RF Power:	200 Watts		Connector:		4.3/10.0-Female	
Temperature:	-31—+149 °F / [-35—+65 C]		Ingress Protection:		IP65	
Weight:	1.85lbs [.85kg]		Warranty:		1 Year	
ECCN #:	EAR99		Revision:		3	



RF PARTS ON DEMAND

DIV OF MECA ELECTRONICS, INC.

459 EAST MAIN STREET, DENVER NJ 07834

T:973-625-0661 / F:973-625-9277 / SALES@RFPOD.COM



BETTER WIRELESS SOLUTIONS

COST EFFECTIVE & RELIABLE, GLOBALLY MANUFACTURED PRODUCTS

LOW PIM POWER TAPPER (UNEQUAL SPLITTER)

-Broad Band 0.600—2.7 GHz

-200 Watts Avg

- Low Loss

- IP 65

-4.3/10.0Interface

-Low PIM & RoHS Compliant

Specifications:					
Part Number:	Split Ratio	Coupling (dB)	600-960MHz (dB)	1.70-2.70 GHz (dB)	Mainline Loss (Nom) Min/Max (dB)
PT-03-0627-4310F	2:1/3dB	4.8	±0.8	±0.8	1.5/2.1
PT-048-0627-4310F	3:1/4.8dB	6.1	±0.8	±0.8	1 / 1.7
PT-06-0627-4310F	4:1/6dB	7.0	±0.8	±0.8	.8 / 1.3
PT-07-0627-4310F	4:1/7dB	7.8	±0.8	±0.8	.7 / 1.2
PT-08-0627-4310F	6:1/8dB	8.5	±0.8	±0.8	.5 / 1
PT-10-0627-4310F	10:1/10dB	10.5	±1	±1	.2 / .6
PT-13-0627-4310F	20:1/13dB	13	±1.2	±1.2	.2 / .6
PT-15-0627-4310F	30:1/15dB	15.3	±1.25	±1.25	.05 / .3
PT-20-0627-4310F	100:1/20dB	20.1	±1.5	±1.5	.05 / .3
PT-30-0627-4310F	1000:1/30dB	30.1	±2	±2	.05 / .3
VSWR:	1.35:1				
Connector:	4.3/10.0—Female				
RF Power:	200 Watts				
Color:	Black				
Temperature:	-35 - +75° C				
Ingress Protection:	IP65				
Warranty:	1 Year				
ECCN #:	EAR99				

Rev 2



www.RFPOD.com

RF PARTS ON DEMAND

DIV OF MECA ELECTRONICS, INC.

459 EAST MAIN STREET, DENVER NJ 07834

T:973-625-0661 / F:973-625-9277 / SALES@RFPOD.COM



BETTER WIRELESS SOLUTIONS

COST EFFECTIVE & RELIABLE, GLOBALLY MANUFACTURED PRODUCTS

LOW PIM POWER TAPPER (UNEQUAL SPLITTER)

-Broad Band 0.600—2.7 GHz

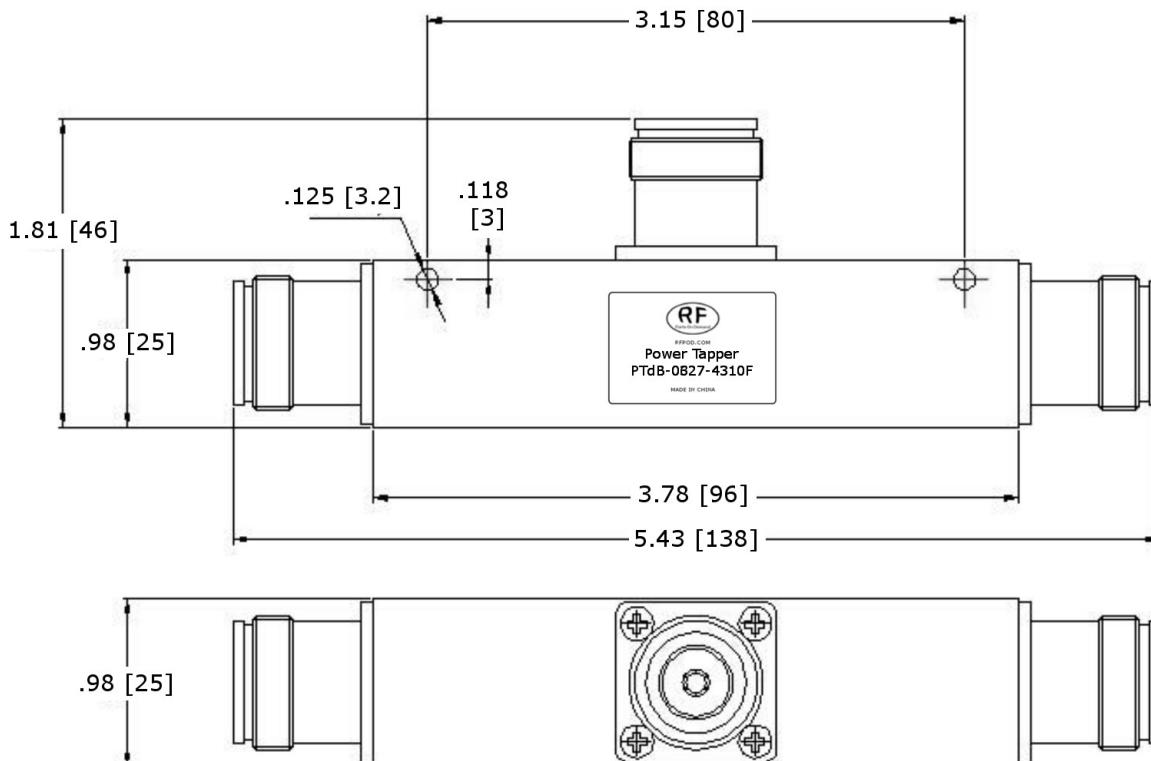
-200 Watts Avg

- Low Loss

- IP 65

-4.3/10.0Interface

-Low PIM & RoHS Compliant





www.RFPOD.com

RF PARTS ON DEMAND

DIV OF MECA ELECTRONICS, INC.

459 EAST MAIN STREET, DENVER NJ 07834

T:973-625-0661 / F:973-625-9277 / SALES@RFPOD.COM



BETTER WIRELESS SOLUTIONS

COST EFFECTIVE & RELIABLE, GLOBALLY MANUFACTURED PRODUCTS

LOW PIM POWER TAPPER (UNEQUAL SPLITTER)

-Broad Band 0.350—2.7 GHz

-200 Watts Avg

- Low Loss

- IP 65

-4.3/10.0Interface

-Low PIM & RoHS Compliant

Specifications:

Part Number:	Split Ratio	Coupling	350-698 MHz (dB)	698-960MHz (dB)	1.70-2.70 GHz (dB)
PT-03-0327-4310F	2:1/3dB	4.8	±1.3	±0.8	±0.8
PT-048-0327-4310F	3:1/4.8dB	6.1	±1.3	±0.8	±0.8
PT-06-0327-4310F	4:1/6dB	7.0	±1.3	±0.8	±0.8
PT-07-0327-4310F	4:1/7dB	7.8	±1.0	±0.8	±0.8
PT-08-0327-4310F	6:1/8dB	8.5	±0.8	±0.8	±0.8
PT-10-0327-4310F	10:1/10dB	10.5	±1.1	±1.1	±1.1
PT-13-0327-4310F	20:1/13dB	13	±1.2	±1.2	±1.2
PT-15-0327-4310F	30:1/15dB	15.3	±1.25	±1.25	±1.25
PT-20-0327-4310F	100:1/20dB	20.1	±1.5	±1.5	±1.5
PT-30-0327-4310F	1000:1/30dB	30.1	±2	±2	±2
VSWR:	1.4:1	1.35:1			
Connector:	4.3/10.0—Female				
RF Power:	200 Watts				
Color:	Black				
Temperature:	-35 - +75° C				
Ingress Protection:	IP65				
Warranty:	1 Year				
ECCN #:	EAR99				

Rev 2



www.RFPOD.com

RF PARTS ON DEMAND

DIV OF MECA ELECTRONICS, INC.

459 EAST MAIN STREET, DENVER NJ 07834

T:973-625-0661 / F:973-625-9277 / SALES@RFPOD.COM



BETTER WIRELESS SOLUTIONS

COST EFFECTIVE & RELIABLE, GLOBALLY MANUFACTURED PRODUCTS

LOW PIM POWER TAPPER (UNEQUAL SPLITTER)

-Broad Band 0.350—2.7 GHz

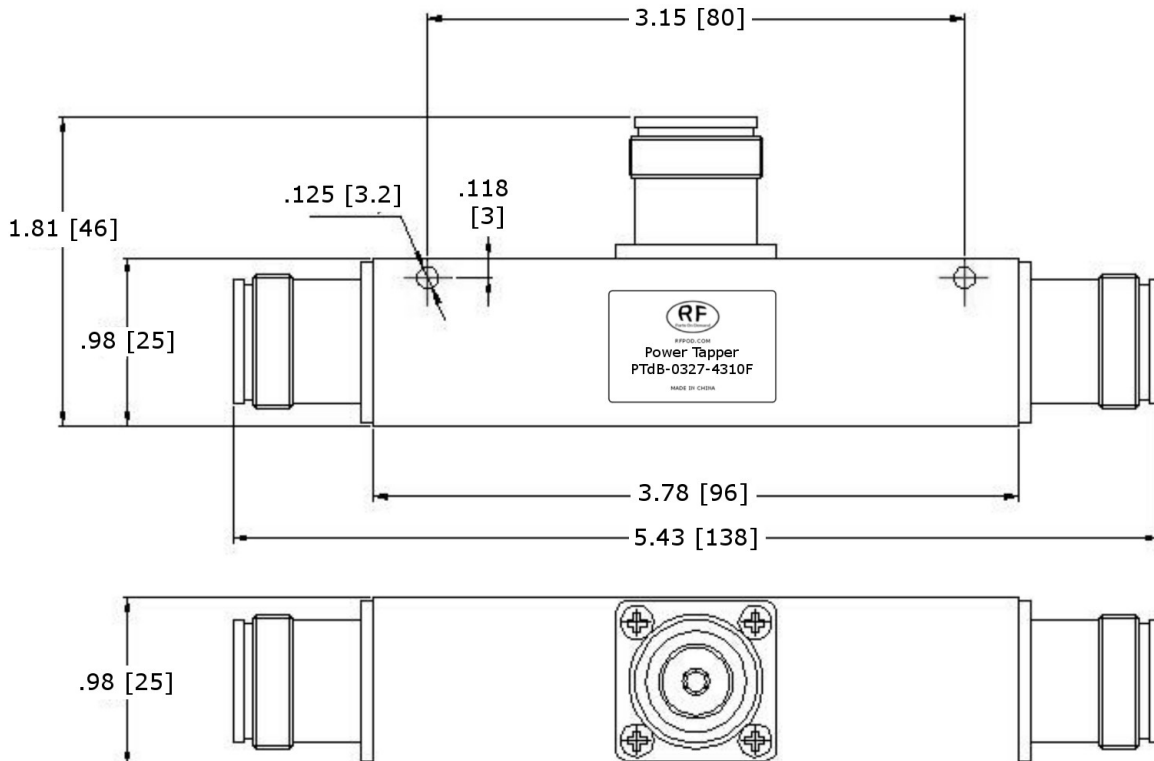
-200 Watts Avg

- Low Loss

- IP 65

-4.3/10.0Interface

-Low PIM & RoHS Compliant



BETTER WIRELESS SOLUTIONS

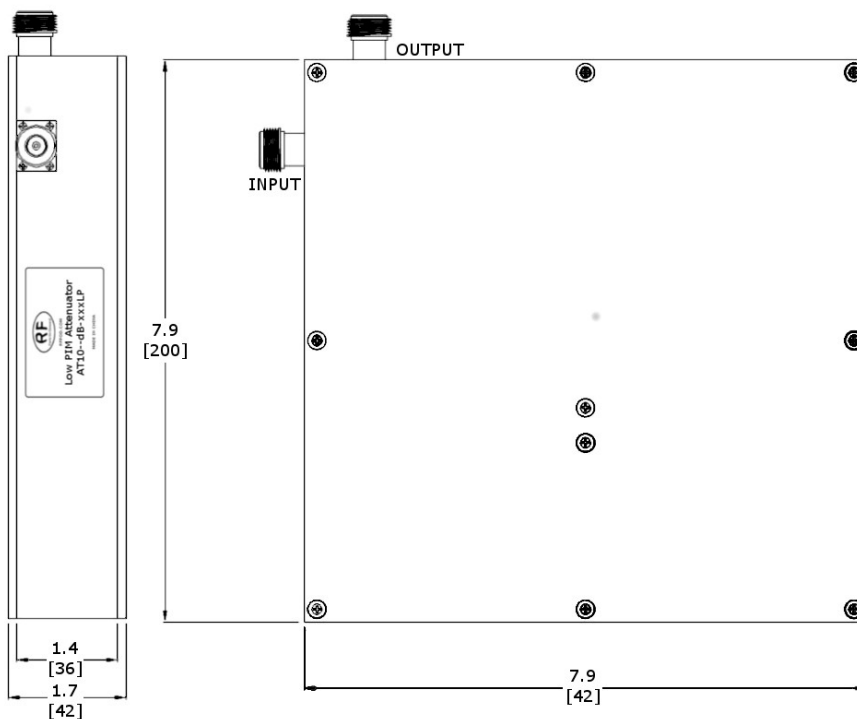
COST EFFECTIVE & RELIABLE, GLOBALLY MANUFACTURED PRODUCTS

Low PIM ATTENUATOR, 10 WATT

-Broad Band .698—2.700 GHz

- 10 Watt

-RoHS Compliant



AT10-dB-NFFLP
Shown

Specifications:				
Power (Avg):	50 Watt			
Part Number:	AT10-dB-xxxLP			
Frequency:	0.698—2.700 GHz			
Attenuation:	3 & 6 dB	10 & 15 dB	20 dB	30 dB
Accuracy:	± 0.8	±1.0	±1.2	1.5
VSWR (Typ/Max):	1.25/1.30:1			
Weight:	4.8 lbs [2.2 kg]	Temperature:	-35 - +75 °C	
Warranty:	1 Year	Ingress Protection:	IP60	
ECCN#:	EAR99	Connector:	N, 7/16 & 4.3/10, M / F	



www.RFPOD.com

RF PARTS ON DEMAND

DIV OF MECA ELECTRONICS, INC.

459 EAST MAIN STREET, DENVER NJ 07834

T:973-625-0661 / F:973-625-9277 / SALES@RFPOD.COM



BETTER WIRELESS SOLUTIONS

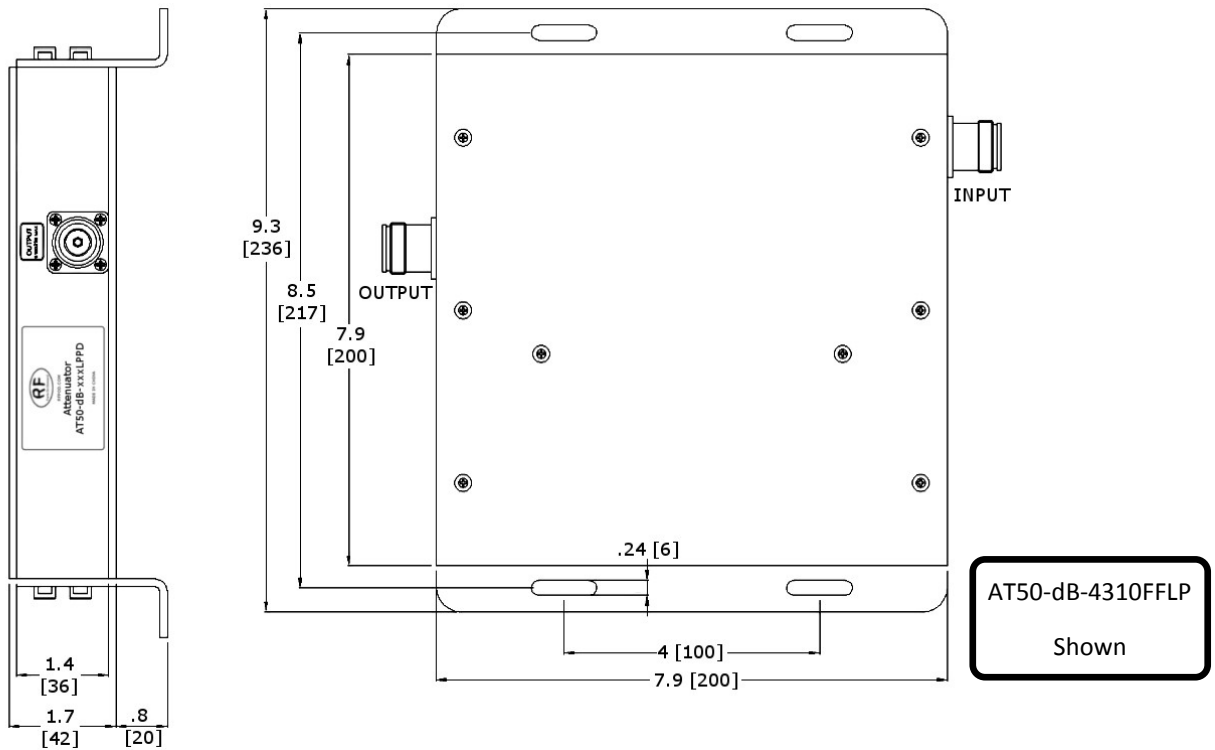
COST EFFECTIVE & RELIABLE, GLOBALLY MANUFACTURED PRODUCTS

Low PIM ATTENUATOR, 50 WATT

-Broad Band .698—2.700 GHz

- 50 Watt

-RoHS Compliant



Specifications:				
Power (Avg):	50 Watt			
Part Number:	AT50-dB-xxxLP			
Frequency:	0.698—2.700 GHz			
Attenuation:	3 & 6 dB	10 & 15 dB	20 dB	30 dB
Accuracy:	± 0.8	±1.0	±1.2	1.5
VSWR (Typ/Max):	1.25/1.30:1			
Weight:	6.2 lbs [2.8 kg]	Temperature:	-35 - +75 °C	
Warranty:	1 Year	Ingress Protection:	IP60	
ECCN#:	EAR99	Connector:	N, 7/16 & 4.3/10, M / F	



www.RFPOD.com

RF PARTS ON DEMAND

DIV OF MECA ELECTRONICS, INC.

459 EAST MAIN STREET, DENVER NJ 07834

T:973-625-0661 / F:973-625-9277 / SALES@RFPOD.COM



BETTER WIRELESS SOLUTIONS

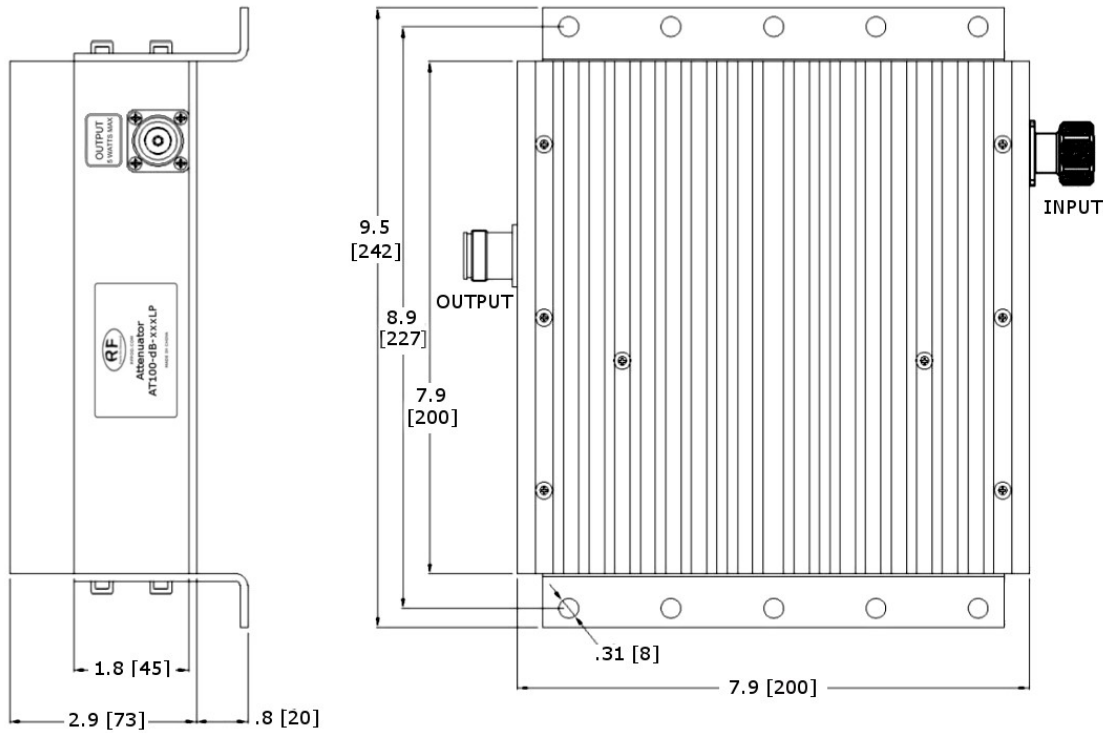
COST EFFECTIVE & RELIABLE, GLOBALLY MANUFACTURED PRODUCTS

Low PIM ATTENUATOR, 100 WATT

-Broad Band .698—2.700 GHz

- 100 Watt

-RoHS Compliant



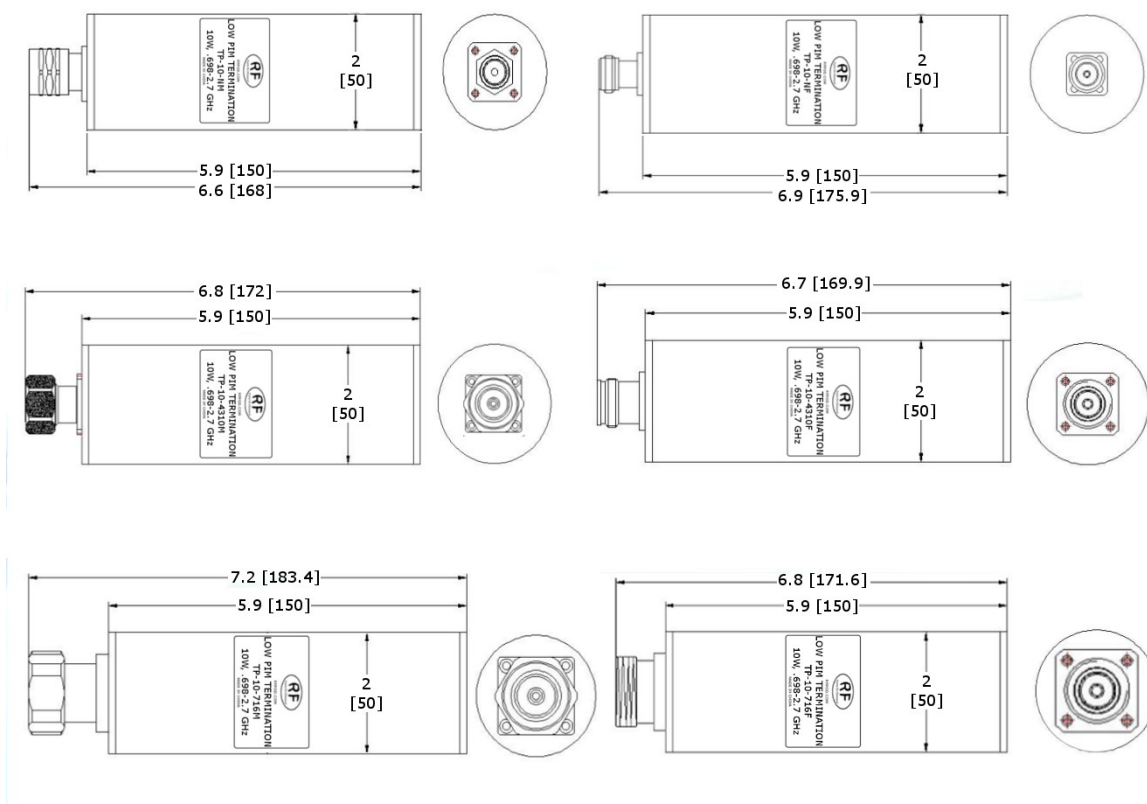
Specifications:				
Power (Avg):	100 Watt			
Part Number:	AT100-dB-716MFLP			
Frequency:	0.698—2.700 GHz			
Attenuation:	3 & 6 dB	10 & 15 dB	20 dB	30 dB
Accuracy:	± 0.8	±1.0	±1.2	1.5
VSWR (Typ/Max):	1.25/1.30:1			
Weight:	6.2 lbs [2.8 kg]	Temperature:	-35 - +75 °C	
Warranty:	1 Year	Ingress Protection:	IP60	
ECCN#:	EAR99	Connector:	7/16 M / F	Rev 3

BETTER WIRELESS SOLUTIONS

COST EFFECTIVE & RELIABLE, GLOBALLY MANUFACTURED PRODUCTS

Low PIM Termination, 10 WATT

-Broad Band .698—2.700 GHz - 25, 30 & 50 Watt -RoHS Compliant



Specifications:			
Power (Avg):	10 Watt		
Part Number:	TP10-xxxX		
Frequency:	0.698—2.700 GHz		
VSWR (Typ/Max):	1.20/1.25:1		
PIM	-155dBc		
Warranty:	1 Year	Temperature:	-30 - +65 °C
Connector:	N, 7/16, 4.3/10.0 M or F	Ingress Protection:	IP60
ECCN#:	EAR99	Weight:	1.5 lbs [.7 kg]



www.RFPOD.com

RF PARTS ON DEMAND

DIV OF MECA ELECTRONICS, INC.

459 EAST MAIN STREET, DENVER NJ 07834

T:973-625-0661 / F:973-625-9277 / SALES@RFPOD.COM

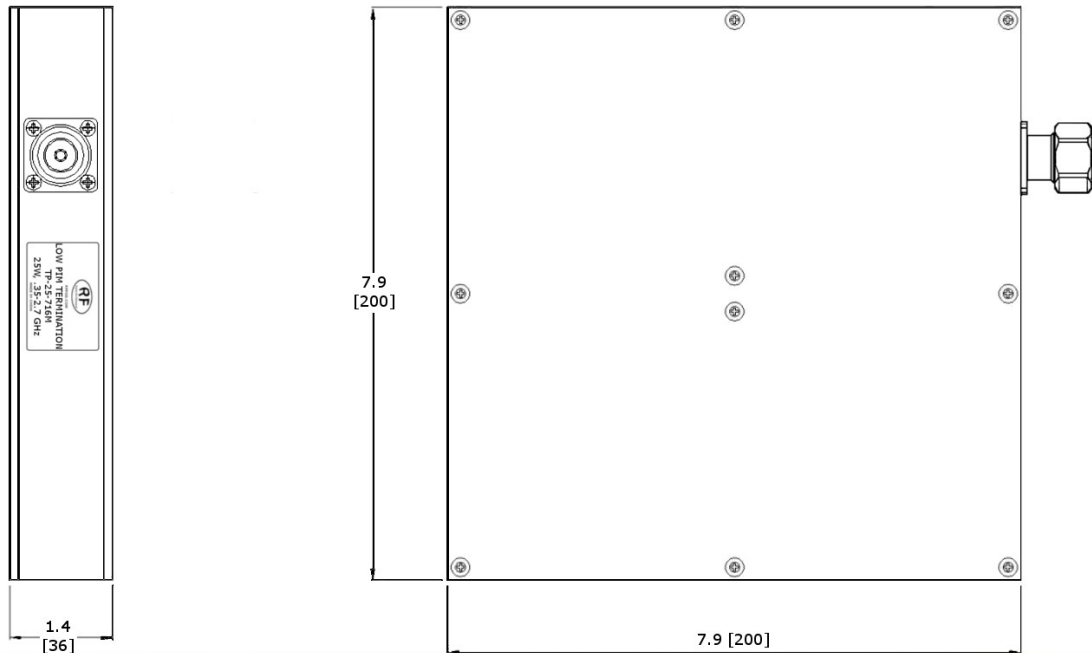


BETTER WIRELESS SOLUTIONS

COST EFFECTIVE & RELIABLE, GLOBALLY MANUFACTURED PRODUCTS

Low PIM TERMINATIONS (25,30&50WATT)

-Broad Band .350—2.700 GHz - 25, 30 & 50 Watt -RoHS Compliant



Specifications:			
Power (Avg):	25 Watt	30 Watt	50 Watt
Part Number:	TP25-xxxX	TP30-xxxX	TP50-xxxX
Frequency:	0.350—2.700 GHz		
VSWR (Typ/Max):	1.25/1.30:1		
PIM	-155dBc		
Warranty:	1 Year	Temperature:	-30 - +65 °C
Connector:	N, 7/16, 4.3/10.0 M or F	Ingress Protection:	IP65
ECCN#:	EAR99	Weight:	4.4 lbs [2.0 kg]



www.RFPOD.com

RF PARTS ON DEMAND

DIV OF MECA ELECTRONICS, INC.

459 EAST MAIN STREET, DENVER NJ 07834

T:973-625-0661 / F:973-625-9277 / SALES@RFPOD.COM



BETTER WIRELESS SOLUTIONS

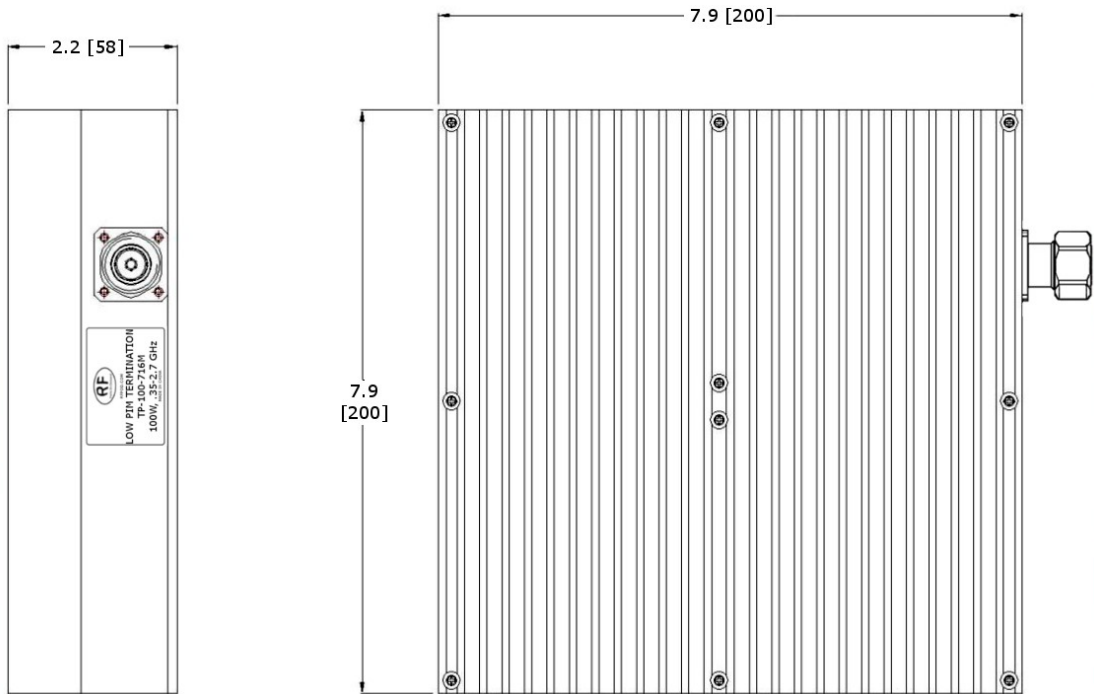
COST EFFECTIVE & RELIABLE, GLOBALLY MANUFACTURED PRODUCTS

Low PIM TERMINATION, 100 WATT

-Broad Band .350—2.700 GHz

- 100 Watt

-RoHS Compliant



Specifications:			
Power (Avg):	100 Watt		
Part Number:	TP100-xxxX		
Frequency:	0.350—2.700 GHz		
VSWR (Typ/Max):	1.25/1.30:1		
PIM	-155dBc		
Warranty:	1 Year	Temperature:	-30 - +65 °C
Connector:	N, 7/16, 4.3/10.0 M or F	Ingress Protection:	IP65
ECCN#:	EAR99	Weight:	8.4 lbs [3.8 kg]

Rev 1



www.RFPOD.com

RF PARTS ON DEMAND

PRODUCT LINE OF MECA ELECTRONICS, INC.

459 EAST MAIN STREET, DENVER NJ 07834

T:973-625-0661 / F:973-625-9277 / SALES@RFPOD.COM



BETTER WIRELESS SOLUTIONS

COST EFFECTIVE & RELIABLE GLOBALLY MANUFACTURED PRODUCTS

DI-PC-S-N

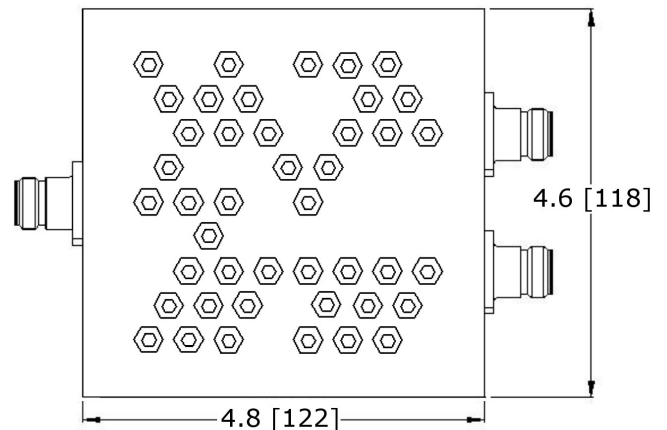
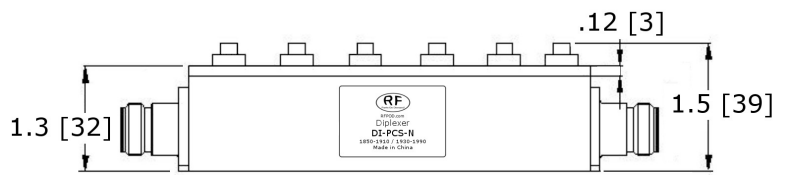
Specifications:	
Low Band (CH1):	1850-1910 MHz
High Band (CH2):	1930-1990 MHz
Return Loss (Typ/Min):	18 / 15 dB
Isolation (CH1/CH2)	70 / 55 dB
Rejection Ch1 (DC - 1,825 MHz):	50 dB
Rejection Ch1 (1,930 - 4,000 MHz):	70 dB
Rejection Ch2 (DC - 1,910 MHz):	70 dB
Rejection Ch2 (2,015 - 4,000 MHz):	50 dB
VSWR (Max):	1.3:1
Insertion Loss @ fc:	1
Flatness:	.6
PIM (Sum Port):	-120 dBc Nominal
Connector:	N Female
RF Power:	200 Watts
Temperature:	-0 - +65 °C
Ingress Protection:	IP60
Weight (Nominal):	2 Lbs [879g]
Warranty:	1 Year
ECCN#:	EAR99

-PCS Band

-1,850-1,910 MHz / 1,930-1,990 MHz

-Low PIM, Type N Interface

-RoHS Compliant



Rev 1



RF PARTS ON DEMAND

DIV OF MECA ELECTRONICS, INC.

459 EAST MAIN STREET, DENVER NJ 07834

T:973-625-0661 / F:973-625-9277 / SALES@RFPOD.COM



BETTER WIRELESS SOLUTIONS

COST EFFECTIVE & RELIABLE, GLOBALLY MANUFACTURED PRODUCTS

4:1 MULTIBAND COMBINER

MC41-001-xF

-Combine or Divide 4 signals

-Low PIM Interface

-TETRA / LTE800 / CDMA850 / GSM900 / GSM1800 / UMTS2100 / LTE2600 Bands

Specifications:	
Divisions of Power:	4:1
Part Number:	MC41-001-xF
Frequency (Band 1):	600—960 MHz
Frequency (Band 2):	1710—1880 MHz
Frequency (Band 3):	1920—2170 MHz
Frequency (Band 4):	2300—2690 MHz
Insertion Loss:	0.5 dB
Nominal Isolation:	50 dB
VSWR (Max):	1.30:1
PIM (Sum Port):	-155 dBc Nominal
Connector:	4.3/10.0 Female
RF Power:	200 Watts
Temperature:	-20 - +60 °C
Ingress Protection:	IP65
Weight (Nominal):	9.3 [4.2kg]
Warranty:	1 Year
ECCN#:	EAR99
Connector (x):	(-4310) 4.3/10.0, (-716) 7/16 & (-N) Type N-Female Rev 1



www.RFPOD.com

RF PARTS ON DEMAND

DIV OF MECA ELECTRONICS, INC.

459 EAST MAIN STREET, DENVER NJ 07834

T:973-625-0661 / F:973-625-9277 / SALES@RFPOD.COM



BETTER WIRELESS SOLUTIONS

COST EFFECTIVE & RELIABLE, GLOBALLY MANUFACTURED PRODUCTS

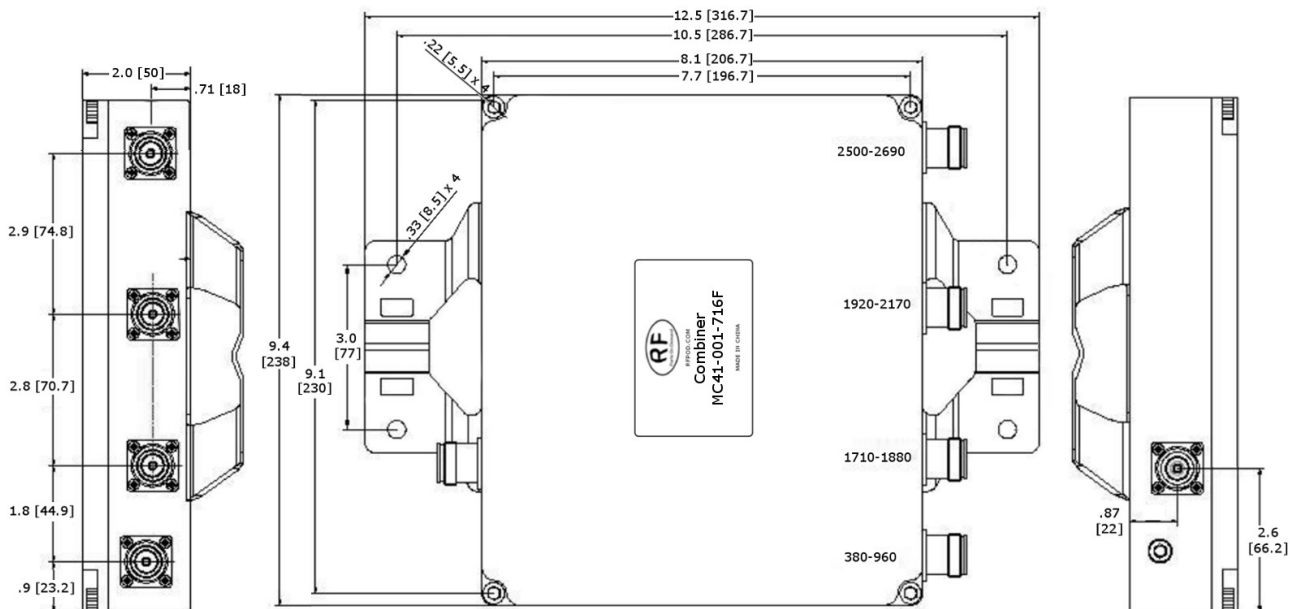
4:1 MULTIBAND COMBINER

MC41-001-xF

-Combine or Divide 4 signals

-Low PIM Interface

-TETRA / LTE800 / CDMA850 / GSM900 / GSM1800 / UMTS2100 / LTE2600 Bands



7/16 DIN Female shown, also available in 4.3/10.0 & Type N



RF PARTS ON DEMAND

DIV OF MECA ELECTRONICS, INC.

459 EAST MAIN STREET, DENVER NJ 07834

T:973-625-0661 / F:973-625-9277 / SALES@RFPOD.COM



BETTER WIRELESS SOLUTIONS

COST EFFECTIVE & RELIABLE, GLOBALLY MANUFACTURED PRODUCTS

4:1 DUAL MULTIBAND COMBINERS

MC41D-001-xF

-Combine or Divide 4 signals

-Low PIM Interface

-TETRA / LTE800 / CDMA850 / GSM900 / GSM1800 / UMTS2100 / LTE2600 Bands

Specifications:	
Divisions of Power:	4:1
Part Number.	MC41-BIQR-xF
Frequency (Band 1):	600—860 MHz
Frequency (Band 2):	1710—1880 MHz
Frequency (Band 3):	1920—2170 MHz
Frequency (Band 4):	2300—2690 MHz
Insertion Loss:	0.5 dB
Nominal Isolation:	50 dB
VSWR (Max):	1.30:1
PIM (Sum Port):	-155 dBc Nominal
Connector:	4.3/10.0 Female
RF Power:	200 Watts
Temperature:	-20 - +60 °C
Ingress Protection:	IP65
Weight (Nominal):	18.5lbs {8.4kg}
Warranty:	1 Year
ECCN#:	EAR99
Connector (x):	(-4310) 4.3/10.0, (-716) 7/16 & (-N) Type N-Female ^{Rev 2}



www.RFPOD.com

RF PARTS ON DEMAND

DIV OF MECA ELECTRONICS, INC.

459 EAST MAIN STREET, DENVER NJ 07834

T:973-625-0661 / F:973-625-9277 / SALES@RFPOD.COM



BETTER WIRELESS SOLUTIONS

COST EFFECTIVE & RELIABLE, GLOBALLY MANUFACTURED PRODUCTS

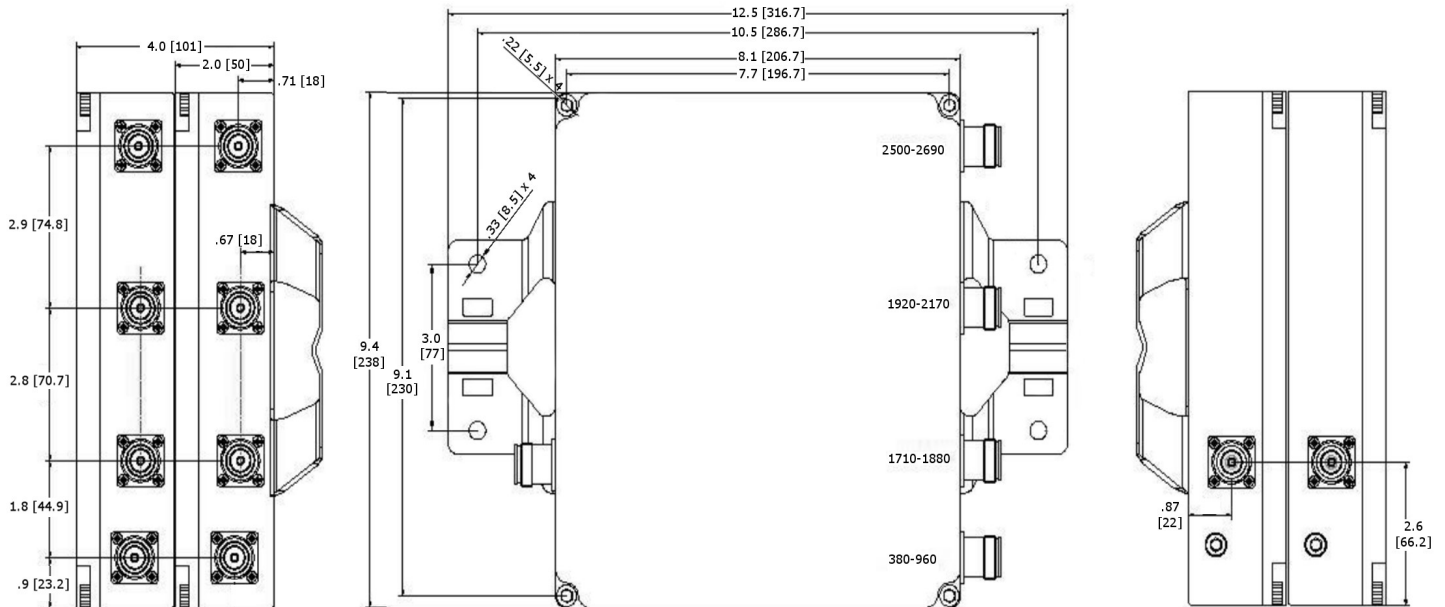
4:1 DUAL MULTIBAND COMBINERS

MC41D-001-xF

-Combine or Divide 4 signals

-Low PIM Interface

-TETRA / LTE800 / CDMA850 / GSM900 / GSM1800 / UMTS2100 / LTE2600 Bands



7/16 DIN Female shown, also available in 4.3/10.0 & Type N



www.RFPOD.com

RF PARTS ON DEMAND

DIV OF MECA ELECTRONICS, INC.

459 EAST MAIN STREET, DENVER NJ 07834

T:973-625-0661 / F:973-625-9277 / SALES@RFPOD.COM



BETTER WIRELESS SOLUTIONS

COST EFFECTIVE & RELIABLE, GLOBALLY MANUFACTURED PRODUCTS

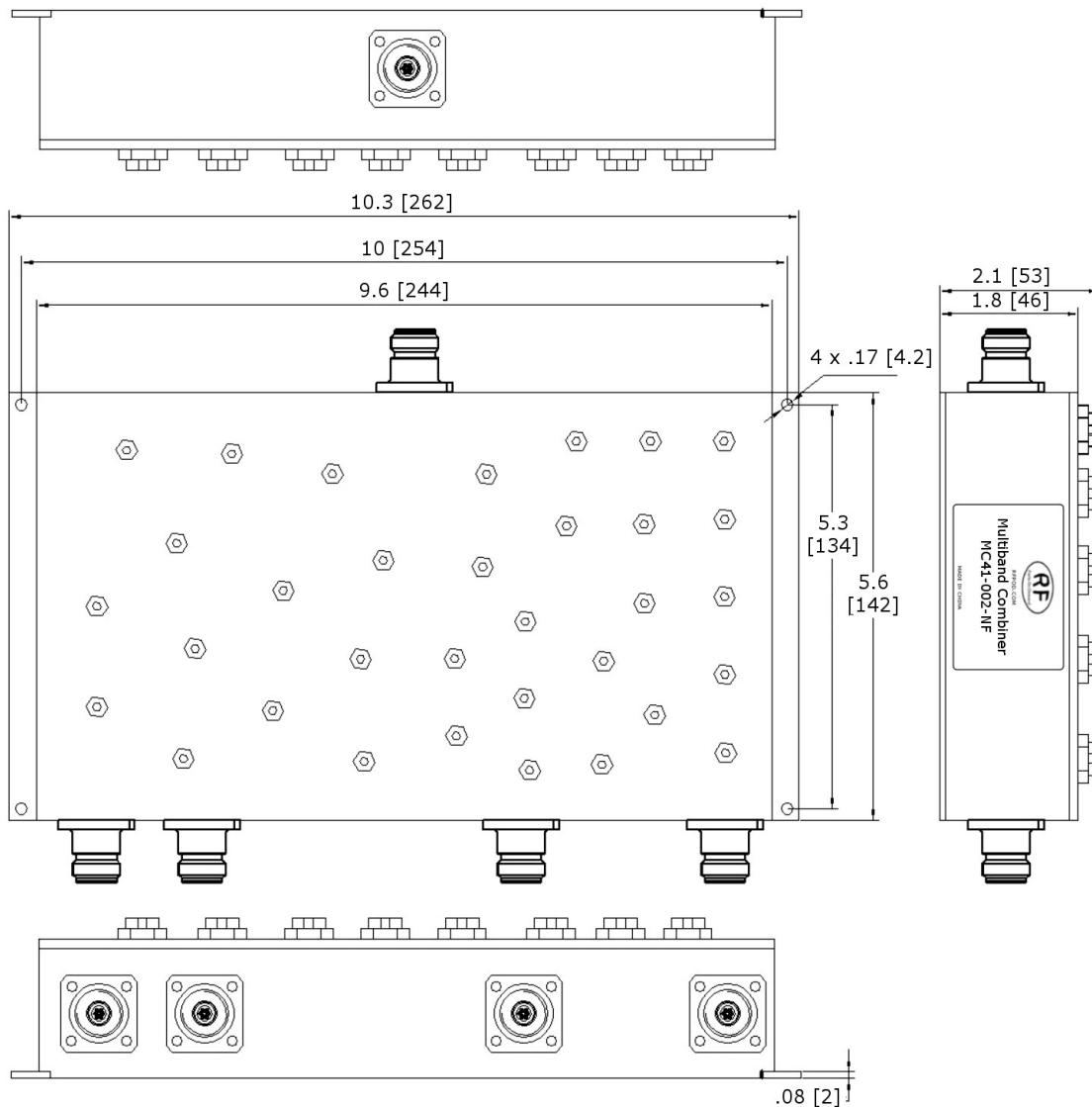
4:1 MULTIBAND COMBINER

MC41-001-xF

-Combine or Divide 4 signals

-Low PIM Interface

-TETRA / LTE800 / CDMA850 / GSM900 / GSM1800 / UMTS2100 / LTE2600 Bands





www.RFPOD.com

RF PARTS ON DEMAND

DIV OF MECA ELECTRONICS, INC.

459 EAST MAIN STREET, DENVER NJ 07834

T:973-625-0661 / F:973-625-9277 / SALES@RFPOD.COM



BETTER WIRELESS SOLUTIONS

COST EFFECTIVE & RELIABLE, GLOBALLY MANUFACTURED PRODUCTS

4:1 MULTIBAND COMBINER

MC41-002-NF

-Combine or Divide 4 signals

-Low PIM Interface

-700 / CDMA850 / GSM1800 / IMYS2100 Bands

Specifications:	
Divisions of Power:	4:1
Part Number.	MC41-002-NF
Frequency (Band 1):	698—787 MHz
Frequency (Band 2):	806—824 & 851—869 MHz
Frequency (Band 3):	1850—1990 MHz
Frequency (Band 4):	1710—1755 & 2110—2155 MHz
Insertion Loss (Band 1 & 2):	0.75 dB
Insertion Loss (Band 3 & 4):	0.55 dB
Nominal Isolation:	45 dB
VSWR (Max):	1.30:1
PIM (Sum Port):	-155 dBc Nominal
Connector:	Type N - Female
RF Power:	20 Watts
Temperature:	-20 - +60 °C
Ingress Protection:	IP60
Weight (Nominal):	4.2 [1.9Kg]
Warranty:	1 Year
ECCN#:	EAR99

Rev 1



RF PARTS ON DEMAND



DIV OF MECA ELECTRONICS, INC.

459 EAST MAIN STREET, DENVER NJ 07834

T:973-625-0661 / F:973-625-9277 / SALES@RFPOD.COM

BETTER WIRELESS SOLUTIONS

COST EFFECTIVE & RELIABLE, GLOBALLY MANUFACTURED PRODUCTS

5:1 MULTIBAND COMBINERS

MC51-001-xF

-Combine or Divide 5 signals

-Low PIM Interface

-698-894 / 824-894 / 1710-1780 & 2110-2180 / 1850-1995 / 2496-2690 & 203.5-2360 MHz

Specifications:	
Divisions of Power:	5:1
Part Number:	MC51-001-xF
Frequency (Band 1):	698—800 MHz
Frequency (Band 2):	824—894 MHz
Frequency (Band 3):	1,710—1,780 & 2,110—2180 MHz
Frequency (Band 4):	1,850—1,995 MHz
Frequency (Band 5):	2,496—2,690 & 2,305—2,360 MHz
Insertion Loss:	0.5 dB
Nominal Isolation:	45 dB
VSWR (Max):	1.35:1
PIM (Sum Port):	-153 dBc Nominal
Connector:	4.3/10.0 Female
RF Power:	100 Watts
Temperature:	-20 - +60 °C
Ingress Protection:	IP60
Weight (Nominal):	10.5 lbs [4.7 kg]
Warranty:	1 Year
ECCN#:	EAR99
Connector (X):	(-4310) 4.3/10.0, (-716) 7/16 & (-N) Type N-Female

Rev 2



www.RFPOD.com

RF PARTS ON DEMAND

DIV OF MECA ELECTRONICS, INC.

459 EAST MAIN STREET, DENVER NJ 07834

T:973-625-0661 / F:973-625-9277 / SALES@RFPOD.COM



BETTER WIRELESS SOLUTIONS

COST EFFECTIVE & RELIABLE, GLOBALLY MANUFACTURED PRODUCTS

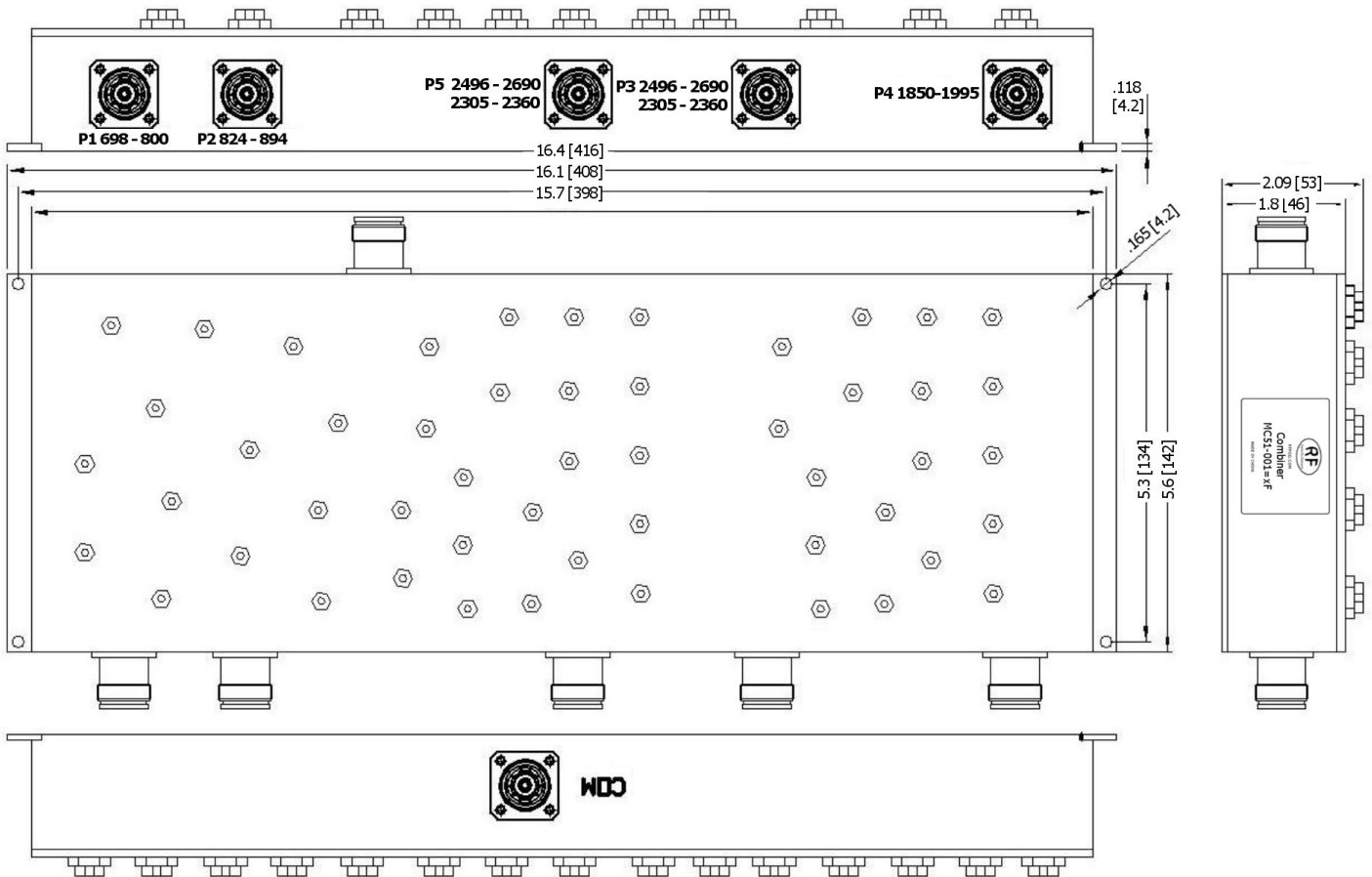
5:1 MULTIBAND COMBINERS

MC51-001-xF

-Combine or Divide 5 signals

-Low PIM Interface

-698-894 / 824-894 / 1710-1780 & 2110-2180 / 1850-1995 / 2496-2690 & 203.5-2360 MHz





RF PARTS ON DEMAND



DIV OF MECA ELECTRONICS, INC.

459 EAST MAIN STREET, DENVER NJ 07834

T:973-625-0661 / F:973-625-9277 / SALES@RFPOD.COM

BETTER WIRELESS SOLUTIONS

COST EFFECTIVE & RELIABLE, GLOBALLY MANUFACTURED PRODUCTS

16:4 POINT OF INTERFACE (POI)

POI-1

- Combine or Divide 16 or 4 signals
- Broad Band 600-2,700 MHz
- Low PIM 4.3/10.0 Interface
- RoHS Compliant

Specifications:	
Divisions of Power:	16:4
Part Number:	POI-1
Frequency (Band 1):	600—960 MHz
Frequency (Band 2):	1,710—1,880 MHz
Frequency (Band 3):	1,920—2,170 MHz
Frequency (Band 4):	2,300—2,690 MHz
Nominal Division Loss:	8 dB
Nominal Isolation Between Input Ports (Same Band):	20 dB
Nominal Isolation Between Input Ports (Different Bands):	55 dB
Nominal Isolation Between Output Ports:	20 dB
VSWR (Max):	1.3:1
PIM (Sum Port):	-155 dBc Nominal
Connector:	4.3/10.0 Female
RF Power:	5 Watts / port
Temperature:	-40 - +60 °C
Ingress Protection:	IP60
Weight (Nominal):	66.2lbs / 30kg
Warranty:	1 Year
ECCN#:	EAR99

Rev 4



www.RFPOD.com

RF PARTS ON DEMAND

DIV OF MECA ELECTRONICS, INC.

459 EAST MAIN STREET, DENVER NJ 07834

T:973-625-0661 / F:973-625-9277 / SALES@RFPOD.COM

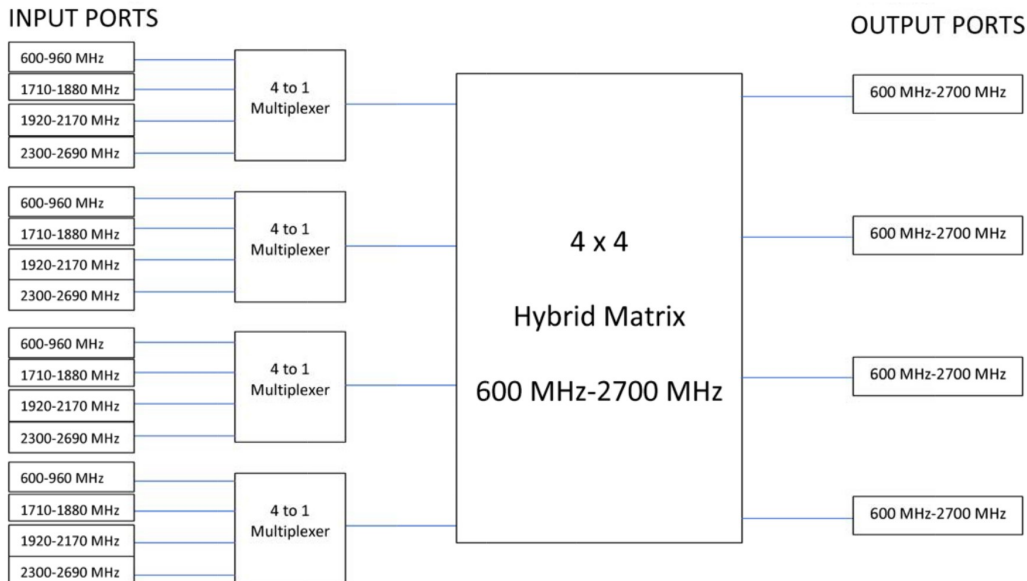
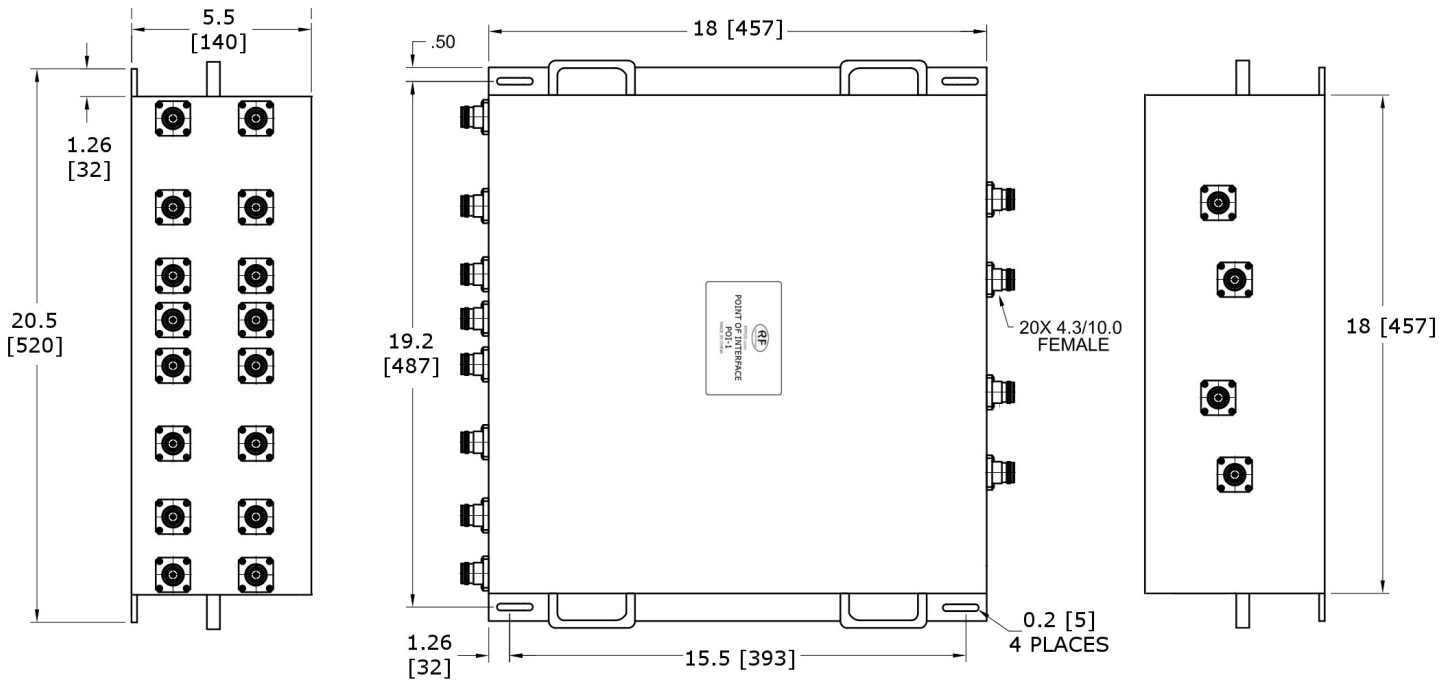


BETTER WIRELESS SOLUTIONS

COST EFFECTIVE & RELIABLE, GLOBALLY MANUFACTURED PRODUCTS

16:4 POINT OF INTERFACE (POI)

POI-1





www.RFPOD.com

RF PARTS ON DEMAND

DIV OF MECA ELECTRONICS, INC.

459 EAST MAIN STREET, DENVER NJ 07834

T:973-625-0661 / F:973-625-9277 / SALES@RFPOD.COM



BETTER WIRELESS SOLUTIONS

COST EFFECTIVE & RELIABLE, GLOBALLY MANUFACTURED PRODUCTS

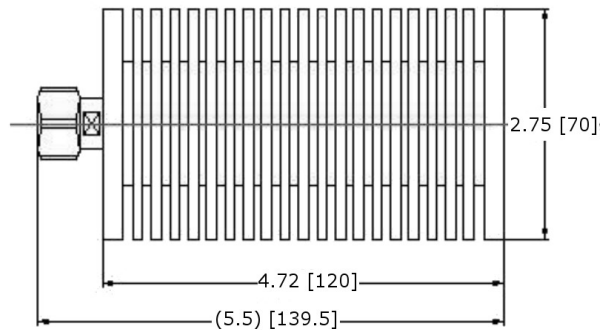
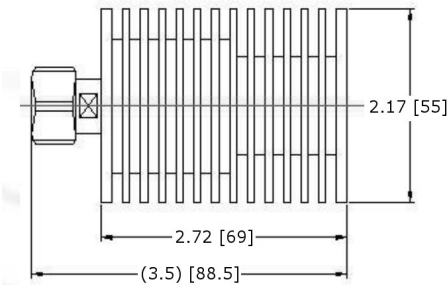
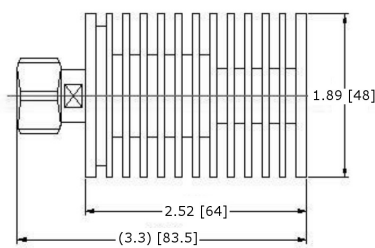
4.3/10.0 DIN TERMINATIONS

25, 50 & 100 WATT

-Broad Band DC—3 GHz

- 25, 50 & 100 Watt

-RoHS Compliant



Electrical Specifications:

Connector:	4.3/10.0 Male		
Power (Avg):	25 Watt	50 Watt	100 Watt
Part Number:	TE-25-4310M	TE-50-4310M	TE-100-4310M
Frequency:	DC—3GHz		
VSWR (Typ/Max):	1.15:1 / 1.25:1		
Temperature:	-30 - +65 C		
Ingress Protection:	IP60		
Warranty:	1 Year		
ECCN#:	EAR99		

Rev 3



www.RFPOD.com

RF PARTS ON DEMAND

DIV OF MECA ELECTRONICS, INC.

459 EAST MAIN STREET, DENVER NJ 07834

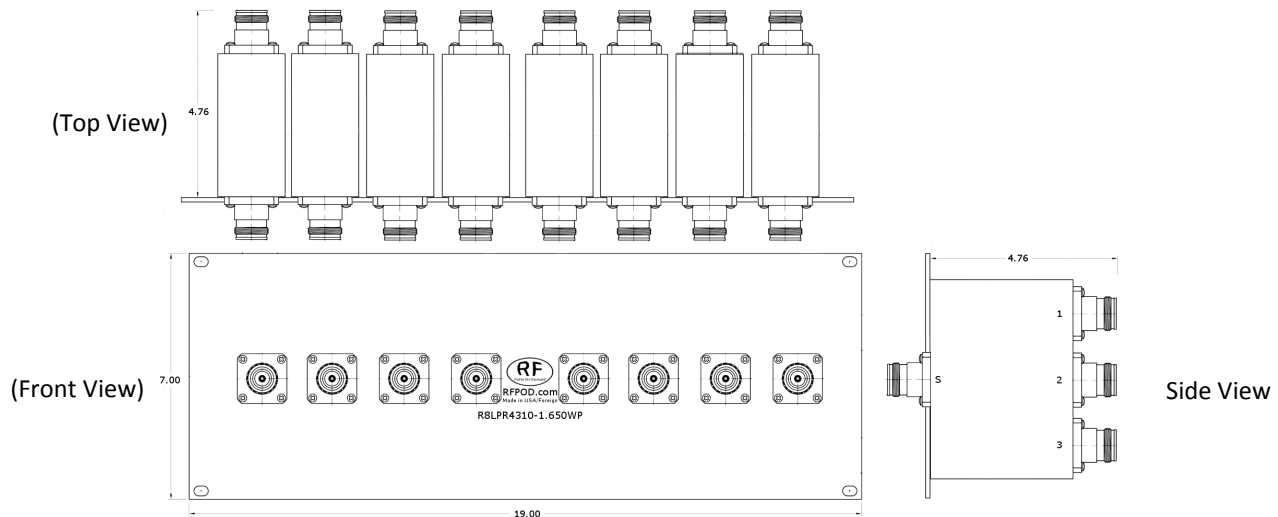
T:973-625-0661 / F:973-625-9277 / SALES@RFPOD.COM



BETTER WIRELESS SOLUTIONS

COST EFFECTIVE & RELIABLE, GLOBALLY MANUFACTURED PRODUCTS

3RU PANEL MOUNT 3-WAY DIVIDER/COMBINER



Electrical Specifications:	Wilkinson Divider/Combiner
Part Number:	R8LP34310-1.650WP
Frequency:	0.600-2.700 GHz
Split Loss (Nominal):	4.8 dB
Insertion Loss (Typ / Max):	0.5 / 0.8 dB
Isolation (Typ/Min):	25dB / 18 dB
VSWR (Typ/Max):	1.15:1 / 1.40:1
PIM (Sum port):	-155 dBc Typ / -150 dBc Max 2 x 20 watt Tones at 1900 MHz @ 25 C
Connector:	4.3/10.0 Female, Albaloy
RF Power (Sum port):	50 Watts
Temperature:	-35 - +70 C
Ingress Protection:	IP65

Key Features:

- (8) 1:3 Divider/Combiners**
- Broad Band 600-2,700 MHz**
- Low PIM –155dBc Typical**
- Low PIM 4.3/10.0 Interface**
- IP65 Indoor/Outdoor rated**



www.RFPOD.com

RF PARTS ON DEMAND

DIV OF MECA ELECTRONICS, INC.

459 EAST MAIN STREET, DENVER NJ 07834

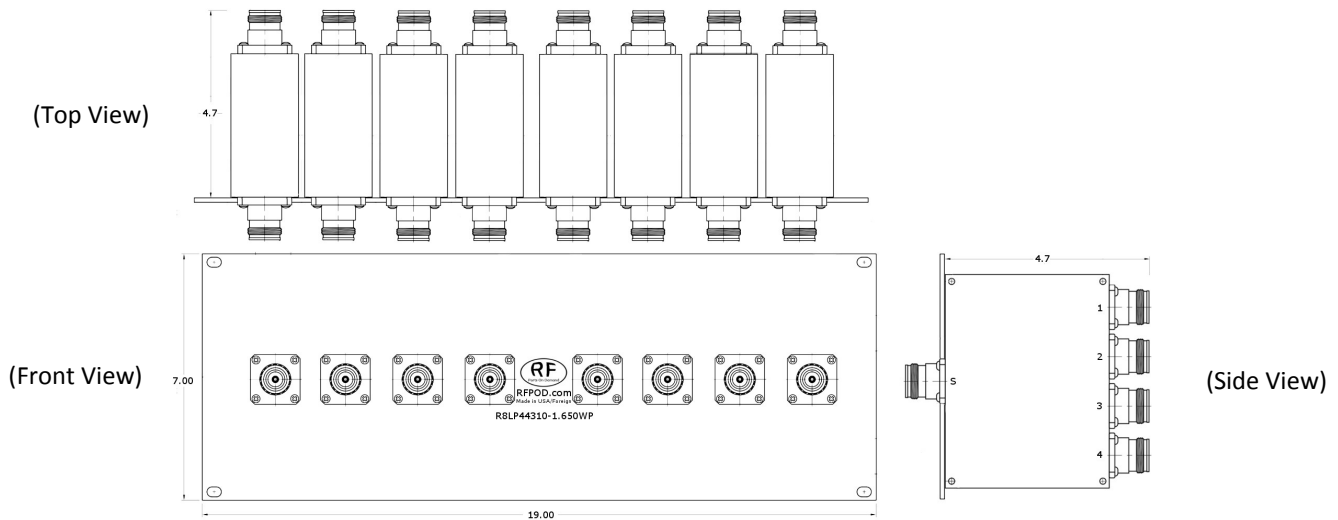
T:973-625-0661 / F:973-625-9277 / SALES@RFPOD.COM



BETTER WIRELESS SOLUTIONS

COST EFFECTIVE & RELIABLE, GLOBALLY MANUFACTURED PRODUCTS

3RU PANEL MOUNT 4-WAY DIVIDER/COMBINER



Electrical Specifications:	Wilkinson Divider/Combiner
Part Number:	R8LP44310-1.650WP
Frequency:	0.600-2.700 GHz
Split Loss (Nominal):	6.0 dB
Insertion Loss (Typ / Max):	0.5 / 0.8 dB
Isolation (Typ/Min):	23dB / 14 dB
VSWR (Typ/Max):	1.20:1 / 1.45:1
PIM (Sum port):	-160 dBc Typ / -153 dBc Max 2 x 20 watt Tones at 1900 MHz @ 25 C
Connector:	4.3/10.0 Female, Albaloy
RF Power (Sum port):	50 Watts
Temperature:	-35 - +70 C
Ingress Protection:	IP65

Key Features:

- (8) 1:4 Divider/Combiners**
- Broad Band 600-2,700 MHz**
- Low PIM –155dBc Typical**
- Low PIM 4.3/10.0 Interface**
- IP65 Indoor/Outdoor rated**



www.RFPOD.com

RF PARTS ON DEMAND

DIV OF MECA ELECTRONICS, INC.

459 EAST MAIN STREET, DENVER NJ 07834

T:973-625-0661 / F:973-625-9277 / SALES@RFPOD.COM



BETTER WIRELESS SOLUTIONS

COST EFFECTIVE & RELIABLE, GLOBALLY MANUFACTURED PRODUCTS

RECOMMENDED MATING TORQUE



Connector Type	Wrench Size	Recommended Torque
7/16	1 1/4" [32 mm]	229 inch-lbs [25.8 nm]
Type-N	13/16" [20 mm]	12 inch-lbs [1.36 nm]
TNC	5/8" [16 mm]	12 inch-lbs [1.36 nm]
7 mm	3/4" [9 mm]	12 inch-lbs [1.36 nm]
SMA	5/16" [8 mm]	8 inch-lbs [.9 nm]
3.5 mm	5/16" [8 mm]	8 inch-lbs [.9 nm]
2.92 mm	5/16" [8 mm]	8 inch-lbs [.9 nm]
2.4 mm	5/16" [8 mm]	8 inch-lbs [.9 nm]
1.85 mm	5/16" [8 mm]	8 inch-lbs [.9 nm]
4.1/9.5	7/8" [22 mm]	88 inch-lbs [9.9 nm]
4.3/10.0	7/8" [22 mm]	42 inch-lbs [4.75 nm]

BETTER WIRELESS SOLUTIONS

COST EFFECTIVE & RELIABLE, GLOBALLY MANUFACTURED PRODUCTS



Warranty

RF Parts on Demand a product line branding of MECA Electronics, Inc. warrants products of its manufacture to be free from defects in material and workmanship under conditions of normal use. If within **12 months** of delivery determined by the manufacturing date code, and after prepaid return by the owner, any MECA product that is found to be defective, MECA shall, at its option, repair or replace the defective item. This warranty does not apply to products that have been disassembled, misused, modified or subjected to conditions exceeding the applicable specifications or ratings. MECA reserves the right to make design changes, without notice, on any of its products without any obligation to make same or similar changes to items previously purchased. In no event does MECA assume liability for installation labor or for consequential damages. This warranty is the extent of the obligation or liability assumed by MECA, with respect to products, and no other warranty or guarantee is either expressed or implied

