

REVISIONS					
REV	ECO	DESCRIPTION	DATE	BY	APPR
A1	-	RELEASE NEW DRAWING	11APR18	ROOKIE	TOMMY
A2	-	REVISED DESCRIPTION	12JUN19	JAH	DH

NOTES: UNLESS OTHERWISE SPECIFIED

△ SEE SHEET 2 FOR KEY ARRANGEMENTS AND COLORS.

2. MATERIAL:
HOUSING: THERMOPLASTIC
SEAL: SILICONE RUBBER
CONTACT: COPPER ALLOY
3. MODIFICATIONS: 2 PIECES OF 6 PIN BUSBAR WITH GOLD PLATED
4. SPECIFICATIONS:
4.1 CURRENT RATING: 39 AMPS MAXIMUM FOR THE 6 PIN BUSBAR
4.2 OPERATING TEMPERATURE: -55°C TO +125°C.
4.3 DIELECTRIC WITHSTANDING VOLTAGE: LESS THAN 2 MILLIAMPS CURRENT LEAKAGE @ 1500 VOLTS AC.
4.4 INSULATION RESISTANCE: 1000 MEGOHM MIN @ 25°C.
4.5 MOISTURE RESISTANCE: IP67 (MATED CONDITION).
4.6 MATING CYCLE DURABILITY: 100 CYCLES
4.7 RoHS COMPLIANT

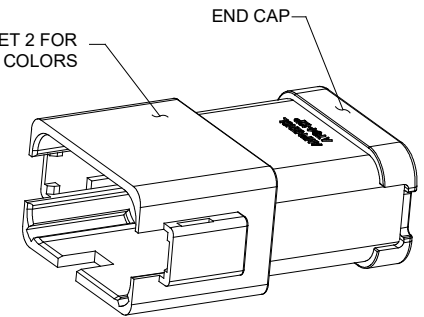
5. MATING PART: AT06-12SX* PLUG
(X=A,B,C,D KEYS * = AVAILABLE MODIFICATIONS)

△ ORIENTATION OF "Amphenol" AND "-P027" TO BE OPTIONAL

△ BORDERS SIGNIFY THAT PINS 1,2,3,10,11,12 AND PINS 4,5,6,7,8,9 ARE BUSSED TOGETHER WITH 6 PIN BUSBARS

8. ALL DIMENSIONS ARE FOR REFERENCE USE ONLY.

△ REFER TO SHEET 2 FOR AVAILABLE CONNECTOR COLORS

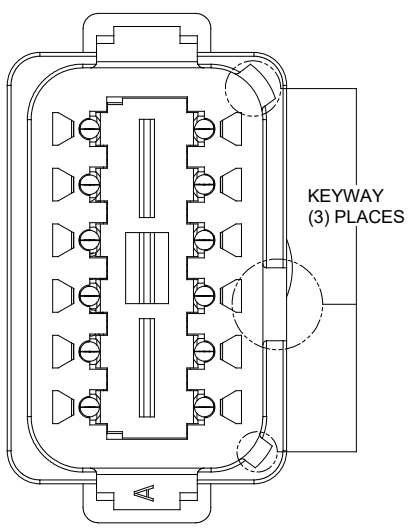


SEE SHEET 2		REF: DT04-12PB-P027		
PART NUMBER		DESCRIPTION		ITEM
QUANTITY		MATERIALS LIST		
UNLESS OTHERWISE SPECIFIED 1) All dimensions are in metric(mm). 2) Tolerances are as follows: 1 PL DEC ±0.30 Fractions ±1/64 2 PL DEC ±0.15 Angles ±1° 3 PL DEC ±0.08 3) Note reference = △		SIGNATURES		DATE
DRAWN:		ROOKIE		11APR18
CHECKED:		ORION		11APR18
ENGINEER:				
APPROVAL:		TOMMY		11APR18
MATERIAL SPECIFICATIONS:		CUSTOMER:		
PROCESS SPECIFICATIONS:		THIS DRAWING IS SUPPLIED FOR INFORMATION ONLY. DESIGN FEATURES, SPECIFICATIONS AND PERFORMANCE DATA SHOWN HEREON ARE THE PROPERTY OF THE AMPHENOL CORPORATION. NO RIGHTS OF REPRODUCTION ARE IMPLIED. ALL DIMENSIONS ARE SUBJECT TO NORMAL MANUFACTURING VARIATIONS.		
NEXT ASSY:		SIZE	TYPE	DWG NO.
		B	C-	AT04-12PX-P027
		SCALE	NONE	REVISION
				A2
				SHEET 1 OF 2

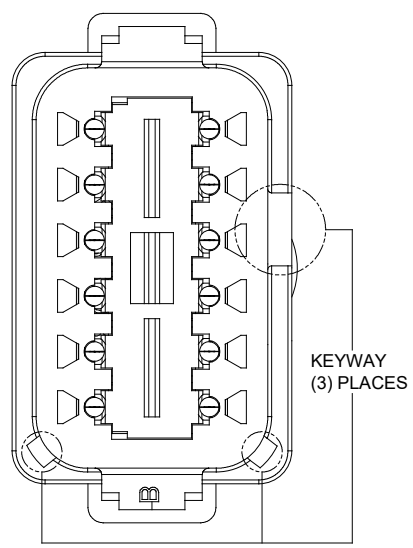
TITLE: HYPERBUSS AT 12WAY RECP (2)6 PIN BUSBAR GOLD-PLATED
DWG NO: AT04-12PX-P027
REV: A2
SH: 1
OF: 2

REVISIONS					
REV	ECO	DESCRIPTION	DATE	BY	APPR
A1	-	RELEASE NEW DRAWING	11APR18	ROOKIE	TOMMY
A2	-	REVISED DESCRIPTION	12JUN19	JAH	DH

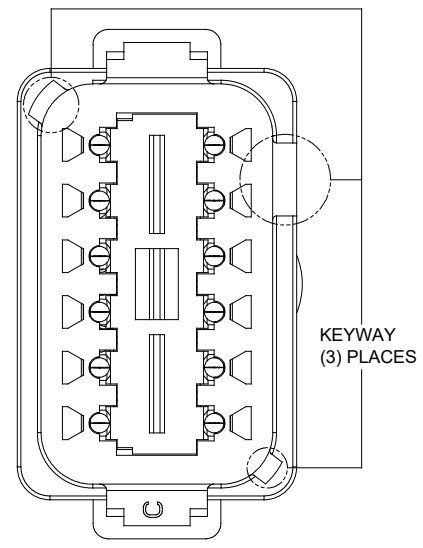
P/N AT04-12PA-P027
KEY-A CONFIGURATION
STANDARD COLOR: GREY



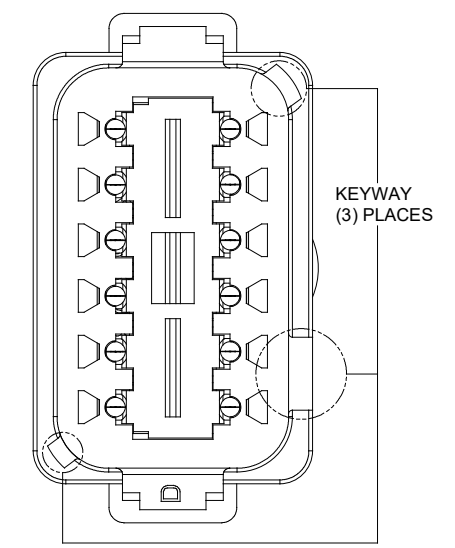
P/N AT04-12PB-P027
KEY-B CONFIGURATION
STANDARD COLOR: BLACK



P/N AT04-12PC-P027
KEY-C CONFIGURATION
STANDARD COLOR: GREEN



P/N AT04-12PD-P027
KEY-D CONFIGURATION
STANDARD COLOR: BROWN



TITLE: HYPERBUSS AT 12WAY RECP (2)6 PIN BUSBAR GOLD-PLATED
DWG NO.: AT04-12PX-P027
REV: A2
SH: 2
OF: 2

QUANTITY	PART NUMBER	DESCRIPTION	ITEM
MATERIALS LIST			
<small>UNLESS OTHERWISE SPECIFIED</small> 1) All dimensions are in metric (mm). 2) Tolerances are as follows: 1 PL DEC ±0.30 Fractions ±1/64 2 PL DEC ±0.15 Angles ±1° 3 PL DEC ±0.08 3) Note reference =		Amphenol Sine Systems - www.amphenol-sine.com 44724 Morley Drive Clinton Township, MI 48036	
<small>SIGNATURES</small> DRAWN: ROOKIE DATE: 11APR18 CHECKED: ORION DATE: 11APR18 ENGINEER: APPROVAL: TOMMY DATE: 11APR18		<small>CUSTOMER</small> HYPERBUSS AT 12WAY RECEPTACLE (2)6 PIN BUSBAR GOLD-PLATED	
<small>MATERIAL SPECIFICATIONS:</small> <small>PROCESS SPECIFICATIONS:</small> <small>NEXT ASSY:</small>		<small>THIS DRAWING IS SUPPLIED FOR INFORMATION ONLY. DESIGN FEATURES, SPECIFICATIONS AND PERFORMANCE DATA SHOWN HEREON ARE THE PROPERTY OF THE AMPHENOL CORPORATION. NO RIGHTS OF REPRODUCTION ARE IMPLIED. ALL DIMENSIONS ARE SUBJECT TO NORMAL MANUFACTURING VARIATIONS.</small>	
SIZE: B TYPE: C- DWG NO.: AT04-12PX-P027 REVISION: A2		SCALE: NONE SHEET 2 OF 2	