

ASMT-QWB2-Nxxxx

Super 0.5W White Power PLCC-4 Surface Mount LED Indicator



Data Sheet



Lead (Pb) Free
RoHS 6 fully
compliant



Description

The Super 0.5W White Power PLCC-4 SMT LED is first white mid-Power PLCC-4 SMT LEDs using InGaN chip technology. The package can be driven at high current due to its superior package design. The product is able to dissipate the heat more efficiently compared to the Power PLCC-4 SMT LEDs. These LEDs produce higher light output with better flux performance compared to the Power PLCC-4 SMT LED.

The Super 0.5W White Power PLCC-4 SMT LEDs are designed for higher reliability, better performance, and operate under a wide range of environmental conditions. The performance characteristics of these new mid-power LEDs make them uniquely suitable for use in harsh conditions such as in automotive applications, and in electronics signs and signals.

To facilitate easy pick and place assembly, the LEDs are packed in EIA-compliant tape and reel. Every reel is shipped in single intensity and color bin, to provide close uniformity.

Features

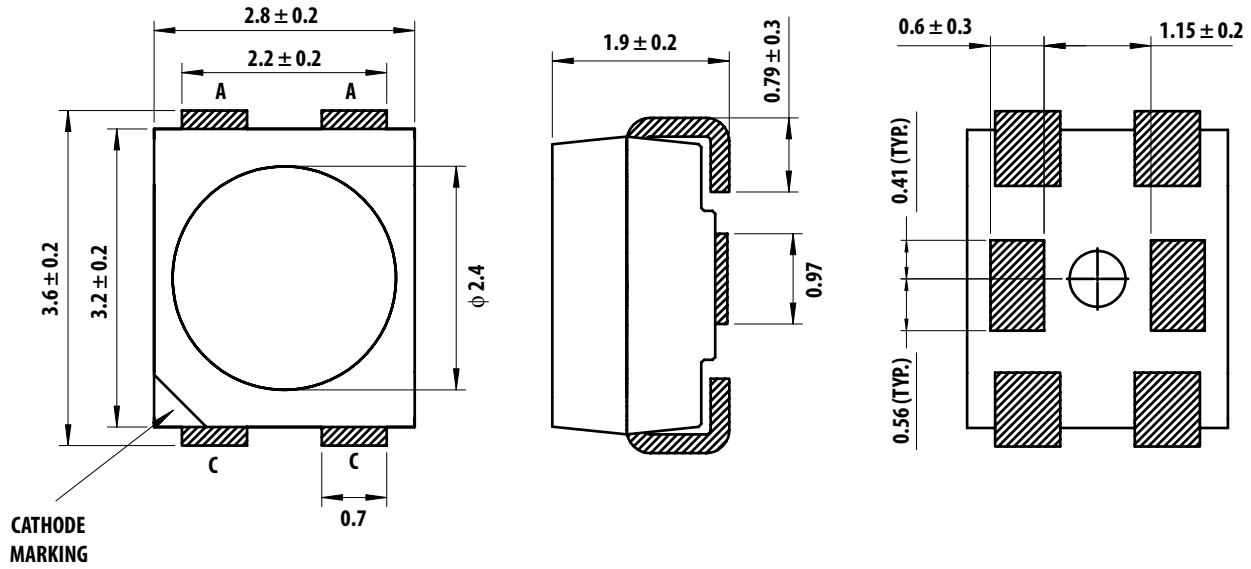
- Industry Standard PLCC 4 platform (3.2 x 2.8 x 1.9mm)
- High reliability package with enhanced silicone resin encapsulation
- High brightness with optimum flux performance using InGaN chip technologies
- Available in Cool White
- High optical efficiency 30lm/W
- Available in 8mm carrier tape and 7 inch reel
- Low Thermal Resistance 60 °C/W
- Super wide viewing angle at 120°
- JEDEC MSL 2a

Applications

1. Interior automotive
 - a. Instrument panel backlighting
 - b. Central console backlighting
 - c. Navigation and audio system backlighting
 - d. Dome/Map lighting
 - e. Push button backlighting
 - f. Puddle lamp
 - g. Glove compartment illumination
2. Exterior automotive
 - a. Number plate illumination
 - b. Rear reverse lamp indicator
3. Electronic signs and signals
 - a. Decorative lighting
4. Office automation, home appliances, industrial equipment
 - a. Panel/button backlighting
 - b. Display backlighting

CAUTION: ASMT-QWB2-Nxxxx LEDs are Class 1C ESD sensitive. Please observe appropriate precautions during handling and processing. Refer to Avago Application Note AN-1142 for additional details.

Package Drawing



Note:

1. All Dimensions in millimeters.
2. Lead Polarity as shown in Figure 11.
3. Terminal Finish: Ag plating
4. Encapsulation material: Silicone resin

Figure 1. Package Drawing

Table 1. Device Selection Guide ($T_J = 25^\circ\text{C}$)

| Color | Part Number | Luminous Flux, Φ_V [1] (lm) | | | Test Current (mA) | Dice Technology |
|-------|-----------------|----------------------------------|----------------|----------------|-------------------|-----------------|
| | | Min. Flux (lm) | Typ. Flux (lm) | Max. Flux (lm) | | |
| White | ASMT-QWB2-NEFOE | 11.5 | 17.0 | 19.5 | 150 | InGaN |

Notes:

1. Φ_V is the total luminous flux output as measured with an integrating sphere at mono pulse conditions.
2. Tolerance = $\pm 12\%$

Part Numbering System

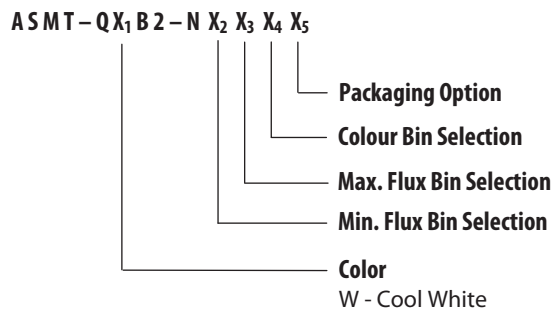


Table 2. Absolute Maximum Ratings ($T_A = 25\text{ }^\circ\text{C}$)

| Parameters | ASMT-QWB2-Nxxxx |
|-------------------------------------|----------------------------------|
| DC Forward Current ^[1] | 150 mA |
| Peak Forward Current ^[2] | 300 mA |
| Power Dissipation | 513 mW |
| Reverse Voltage | Not Recommended for Reverse Bias |
| Junction Temperature | 125 °C |
| Operating Temperature | -40 °C to +110 °C |
| Storage Temperature | -40 °C to +110 °C |

Notes:

1. Derate Linearly as shown in Figure 6.
2. Duty Factor = 10%, Frequency = 1kHz

Table 3. Optical Characteristics ($T_J = 25\text{ }^\circ\text{C}$)

| Color | Part Number | Dice Technology | Typical Chromaticity Coordinates ^[1] | | Viewing Angle $2\lambda_{1/2}$ ^[1] (Degrees) | Luminous Efficiency η_e (lm/W) | Total Flux / Luminous Intensity F_V (lm) / I_V (cd) |
|-------|-----------------|-----------------|---|------|---|-------------------------------------|---|
| | | | x | y | Typ. | Typ. | Typ. |
| White | ASMT-QWB2-Nxxxx | InGaN | 0.31 | 0.31 | 120 | 30 | 2.85 |

Notes:

1. $\theta_{1/2}$ is the off-axis angle where the luminous intensity is $1/2$ the peak intensity.

Table 4. Electrical Characteristics ($T_J = 25\text{ }^\circ\text{C}$)

| Part Number | Forward Voltage V_F (Volts) @ $I_F = 150\text{ mA}$ | | Thermal Resistance $R_{\theta J-P}$ ($^\circ\text{C/W}$) |
|-----------------|---|------|--|
| | Typ. | Max. | |
| ASMT-QWB2-Nxxxx | 3.6 | 4.1 | 60 |

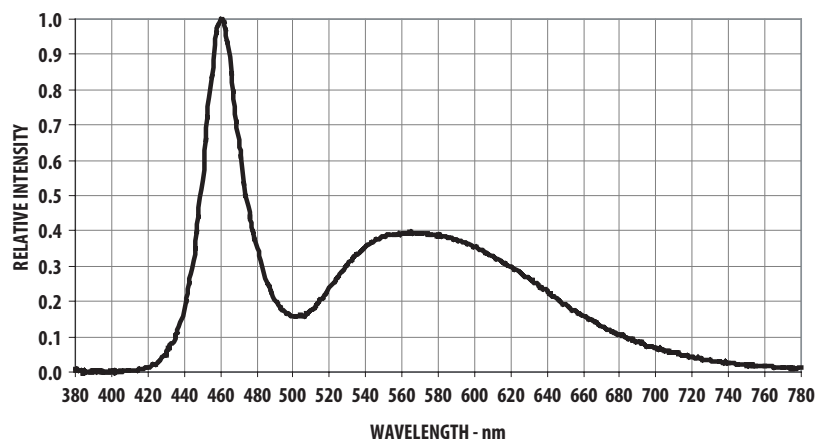


Figure 2. Relative Intensity Vs. Wavelength

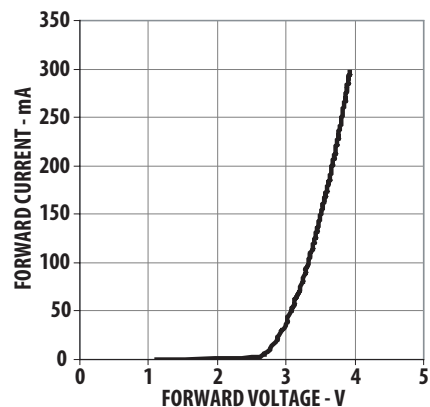


Figure 3. Forward Current Vs. Forward Voltage.

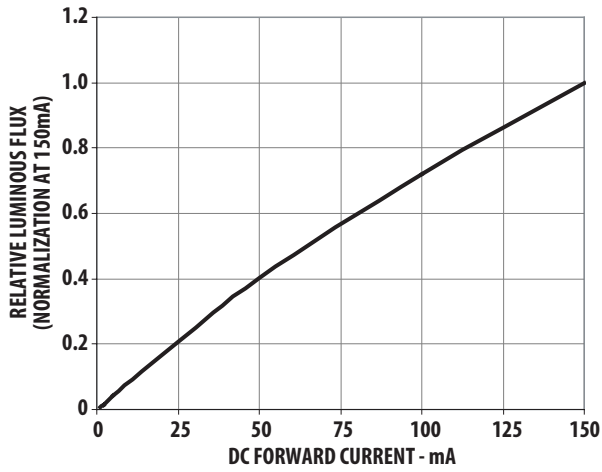


Figure 4. Relative Flux vs. Forward Current

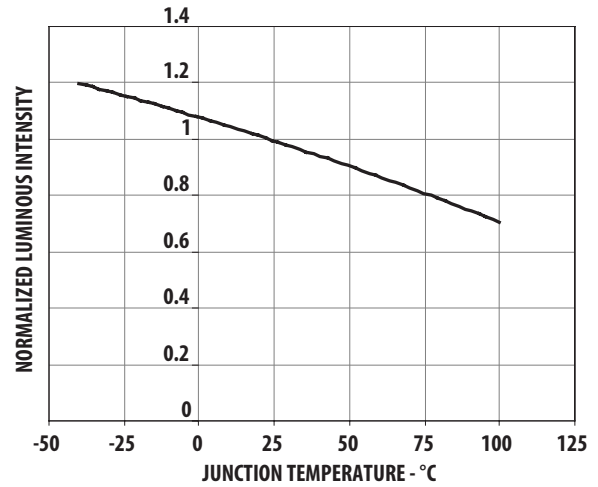


Figure 5. Relative Intensity Vs. Temperature

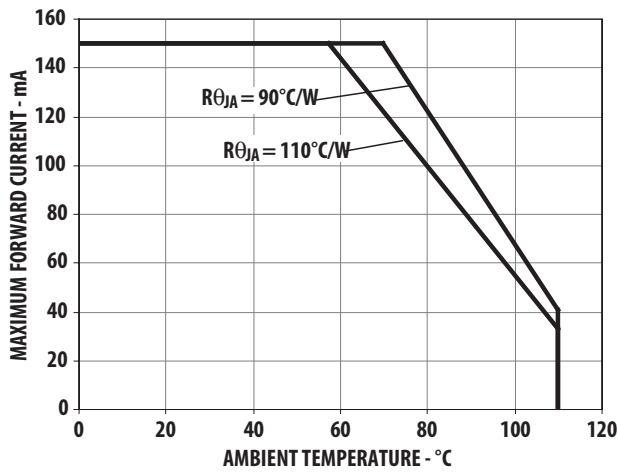


Figure 6a. Maximum Forward Current Vs. Ambient Temperature. Derated Based on $T_{JMAX} = 125^\circ C$, $R_{\theta JA} = 90^\circ C/W$ and $110^\circ C/W$.

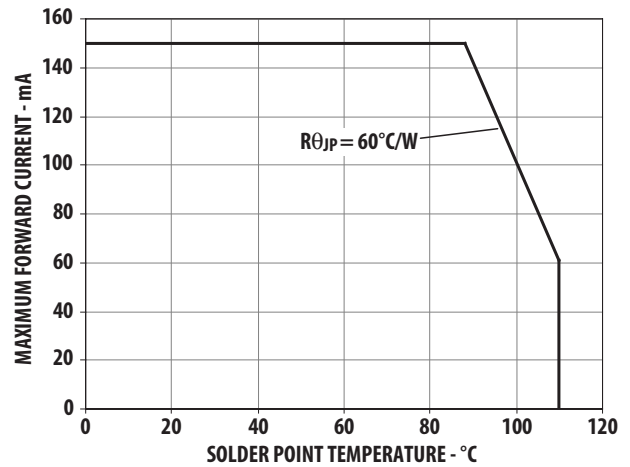


Figure 6b. Maximum forward current vs. solder point temperature. Derated Based on $T_{JMAX} = 125^\circ C$, $R_{\theta JP} = 60^\circ C/W$

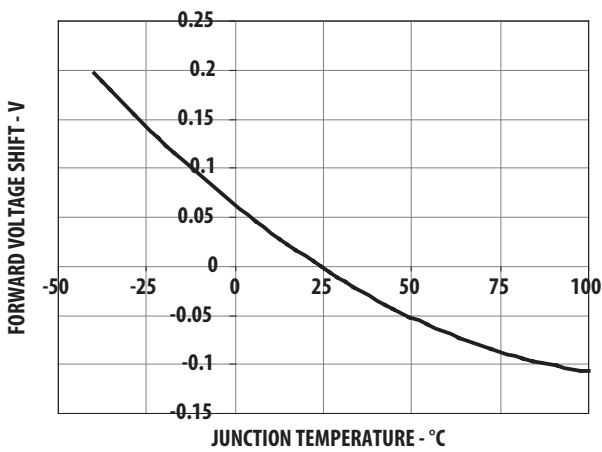


Figure 7. Forward Voltage Shift Vs. Temperature.

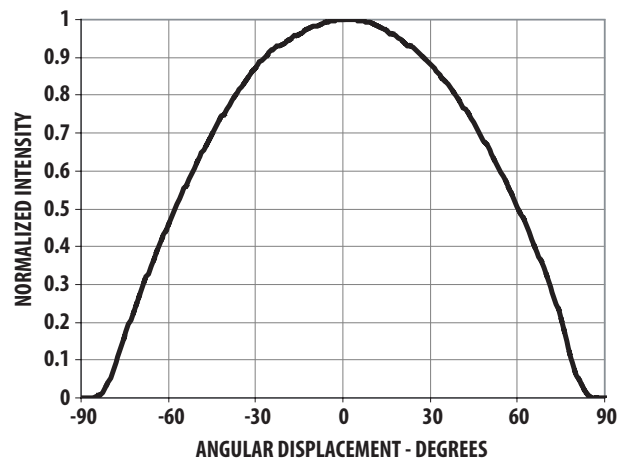
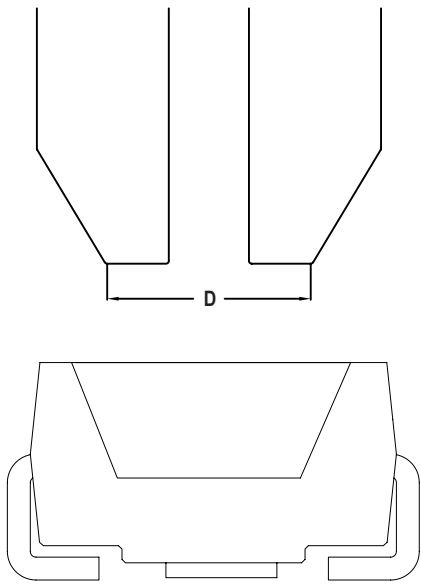


Figure 8. Radiation Pattern



Note: Diameter "D" should be smaller than 2.2mm

Figure 9. Recommended Pick and Place Nozzle Size

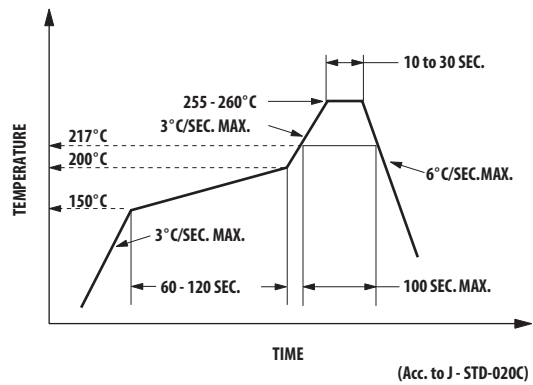


Figure 10. Recommended Pb-free Reflow Soldering Profile

Note: For detail information on reflow soldering of Avago surface mount LEDs, do refer to Avago Application Note AN 1060 Surface Mounting SMT LED Indicator Components

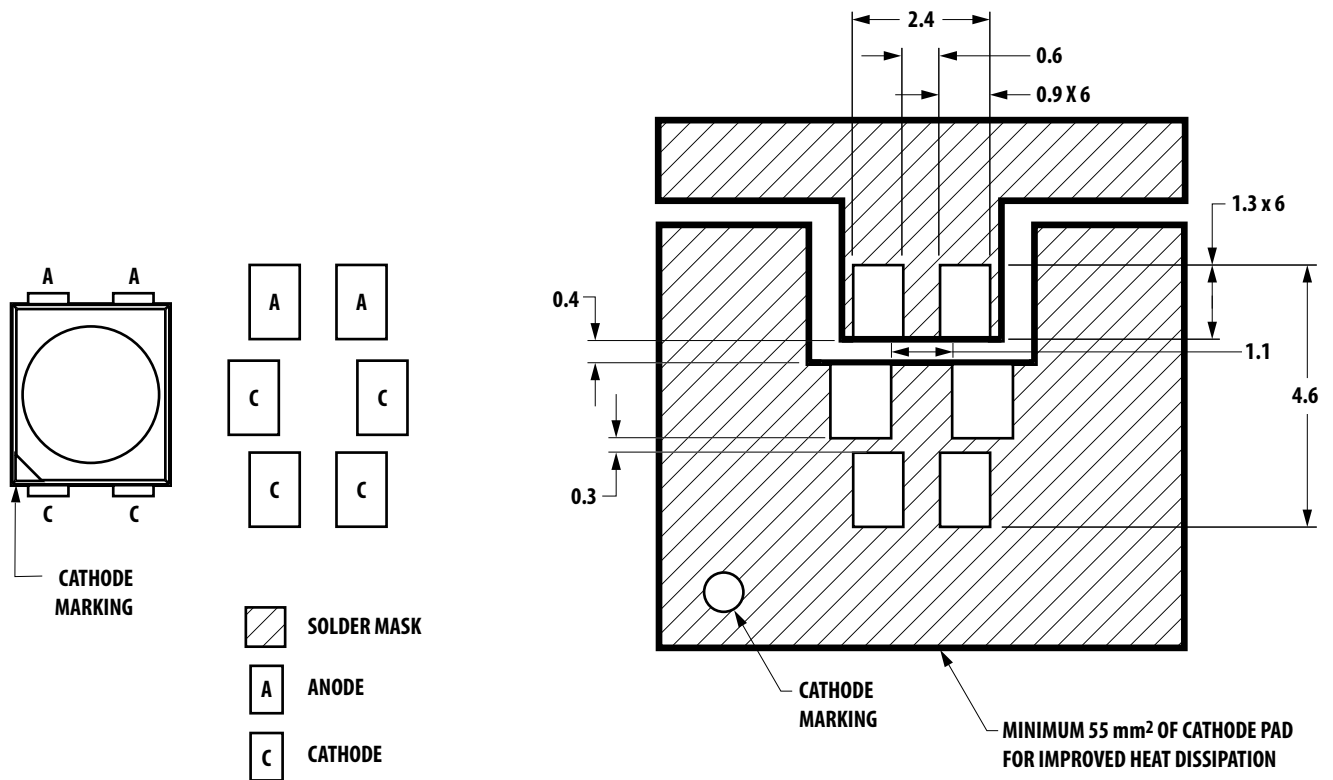


Figure 11. Recommended Soldering Pad Pattern

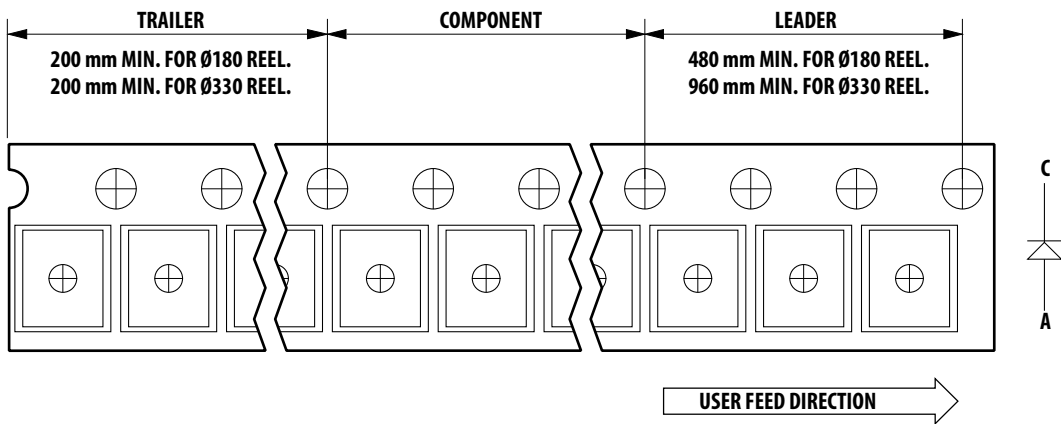


Figure 12. Tape Leader and Trailer Dimensions

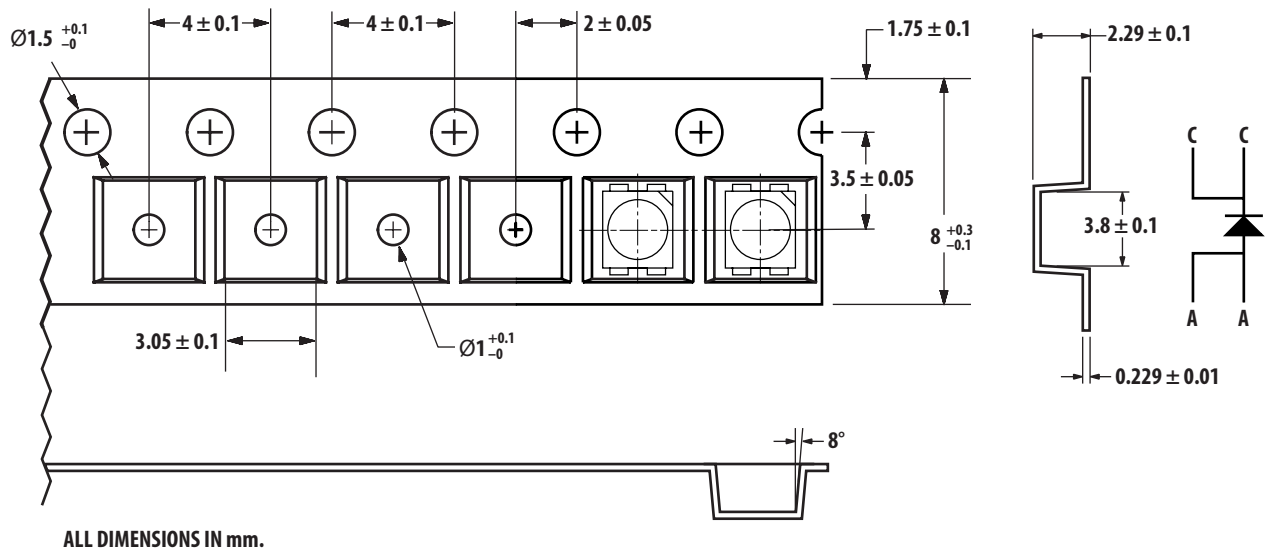


Figure 13. Tape Dimensions

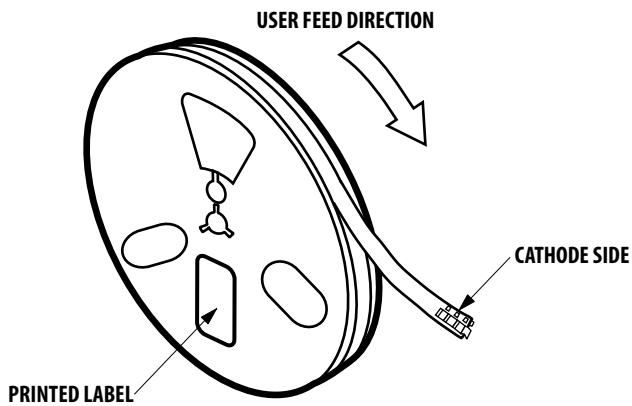


Figure 14. Reeling Orientation

Handling Precaution

The encapsulation material of the product is made of silicone for better reliability of the product. As silicone is a soft material, please do not press on the silicone or poke a sharp object onto the silicone. These might damage the product and cause premature failure. During assembly or handling, the unit should be held on the body only. Please refer to Avago Application Note AN 5288 for detail information.

Moisture Sensitivity

This product is qualified as Moisture Sensitive Level 2a per Jedec J-STD-020. Precautions when handling this moisture sensitive product is important to ensure the reliability of the product. Do refer to Avago Application Note AN5305 Handling of Moisture Sensitive Surface Mount Devices for details.

A. Storage before use

- Unopen moisture barrier bag (MBB) can be stored at <40°C/90%RH for 12 months. If the actual shelf life has exceeded 12 months and the HIC indicates that baking is not required, then it is safe to reflow the LEDs per the original MSL rating.
- It is not recommended to open the MBB prior to assembly (e.g. for IQC).

B. Control after opening the MBB

- The humidity indicator card (HIC) shall be read immediately upon opening of MBB.
- The LEDs must be kept at <30°C / 60%RH at all time and all high temperature related process including soldering, curing or rework need to be completed within 672 hours.

C. Control for unfinished reel

- For any unused LEDs, they need to be stored in sealed MBB with desiccant or desiccator at <5%RH.

D. Control of assembled boards

- If the PCB soldered with the LEDs is to be subjected to other high temperature processes, the PCB need to be stored in sealed MBB with desiccant or desiccator at <5%RH to ensure no LEDs have exceeded their floor life of 672 hours.

E. Baking is required if:

- "10%" is Not blue and "5%" HIC indicator turns pink.
- The LEDs are exposed to condition of >30°C / 60% RH at any time.
- The LEDs floor life exceeded 672 hours.

Recommended baking condition: 60±5°C for 20 hours.

Device Color (X₁)

| | |
|---|------------|
| W | Cool White |
|---|------------|

Flux Bin Select (X₂X₃)

Individual reel will contain parts from one bin only

| | |
|----------------|--------------|
| X ₂ | Min Flux Bin |
| X ₃ | Max Flux Bin |

Flux Bin Limits

| Bin ID | Min. (lm) | Max. (lm) |
|--------|-----------|-----------|
| A | 4.30 | 5.50 |
| B | 5.50 | 7.00 |
| C | 7.00 | 9.00 |
| D | 9.00 | 11.50 |
| E | 11.50 | 15.00 |
| F | 15.00 | 19.50 |
| G | 19.50 | 25.50 |
| H | 25.50 | 33.00 |
| J | 33.00 | 43.00 |
| K | 43.00 | 56.00 |
| L | 56.00 | 73.00 |

Tolerance of each bin limit = ± 12%

Color Bin Select (X₄)

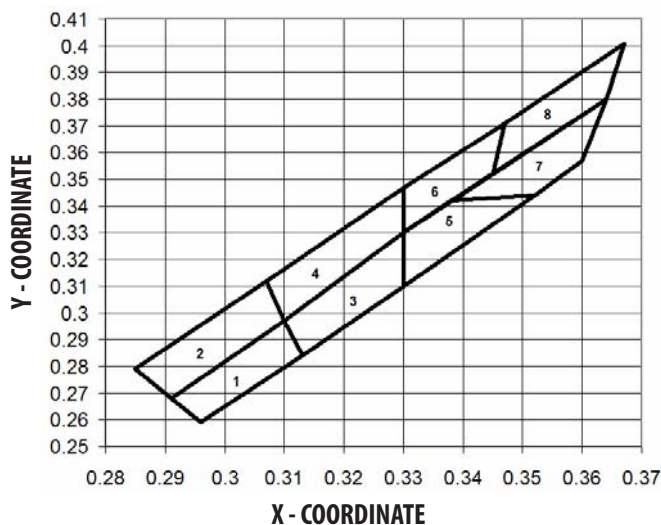
Individual reel will contain parts from one full bin only.

| | |
|---|-----------------------|
| 0 | Full Distribution |
| A | 1 and 2 only |
| B | 2 and 3 only |
| C | 3 and 4 only |
| D | 4 and 5 only |
| E | 5 and 6 only |
| G | 1, 2 and 3 only |
| H | 2, 3 and 4 only |
| J | 3, 4 and 5 only |
| K | 4, 5 and 6 only |
| M | 1, 2, 3 and 4 only |
| N | 2, 3, 4 and 5 only |
| P | 3, 4, 5 and 6 only |
| R | 1, 2, 3, 4 and 5 only |
| S | 2, 3, 4, 5 and 6 only |
| Z | Special Color Bin |

Color Bin Limits

| Bin ID | | Limits (Chromaticity Coordinates) | | | |
|--------|---|-----------------------------------|-------|-------|-------|
| 1 | x | 0.296 | 0.291 | 0.310 | 0.313 |
| | y | 0.259 | 0.268 | 0.297 | 0.284 |
| 2 | x | 0.291 | 0.285 | 0.307 | 0.310 |
| | y | 0.268 | 0.279 | 0.312 | 0.297 |
| 3 | x | 0.313 | 0.310 | 0.330 | 0.330 |
| | y | 0.284 | 0.297 | 0.330 | 0.310 |
| 4 | x | 0.310 | 0.307 | 0.330 | 0.330 |
| | y | 0.297 | 0.312 | 0.347 | 0.330 |
| 5 | x | 0.330 | 0.330 | 0.338 | 0.352 |
| | y | 0.310 | 0.330 | 0.342 | 0.344 |
| 6 | x | 0.330 | 0.330 | 0.347 | 0.345 |
| | y | 0.330 | 0.347 | 0.371 | 0.352 |
| 7 | x | 0.352 | 0.338 | 0.364 | 0.360 |
| | y | 0.344 | 0.342 | 0.380 | 0.357 |
| 8 | x | 0.345 | 0.347 | 0.367 | 0.364 |
| | y | 0.352 | 0.371 | 0.401 | 0.380 |

Tolerance of each bin limit = ± 0.02



VF Bin Limits

| Bin ID | Min. | Max. |
|--------|------|------|
| S5 | 3.20 | 3.50 |
| S6 | 3.50 | 3.80 |
| S7 | 3.80 | 4.10 |

Tolerance of each bin limit = $\pm 0.1V$

Packaging Option (X₅)

| Option | Test Current | Package Type | Reel Size |
|--------|--------------|--------------|-----------|
| E | 150mA | Top Mount | 7 Inch |

For product information and a complete list of distributors, please go to our web site: www.avagotech.com

Avago, Avago Technologies, and the A logo are trademarks of Avago Technologies in the United States and other countries. Data subject to change. Copyright © 2005-2009 Avago Technologies. All rights reserved. AV02-0209EN - September 29, 2009

