

# Data sheet

## SM01W01VXNN03G1 7-inch Reel solder pad/component side

P/N  
ASM01W0164-3G16

xx=number of poles

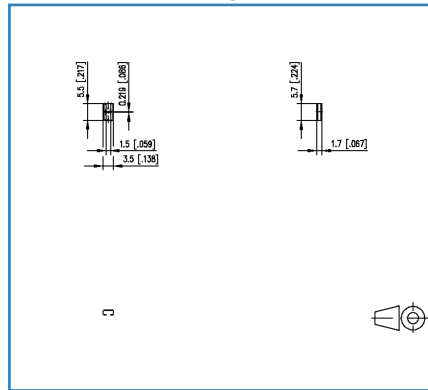
2020/04/23

Version: M

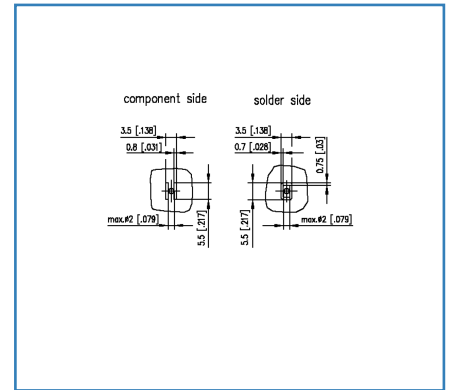
### Illustrations



Dimensional drawing



Drill pattern



See enlarged drawings at the end of document

### Product specification

- spring clamp terminal block, SMT solderable
- one-way contact
- direction of connection vertical 0°
- Tape & Reel packaging

## SM01W01VXNN03G1 7-inch Reel solder pad/component side

P/N  
**ASM01W0164-3G16**  
 xx=number of poles  
 2020/04/23  
 Version: M

### Technical Data

#### General Data

Min. number of poles	1
Max. number of poles	1
Protection category	IP00
Min. insul. strip length	4 mm
Rated current	13 A

#### Connection Data

Rat.wiring solid AWGmax	0.1 mm <sup>2</sup> - 0.75 mm <sup>2</sup> / AWG 26 - AWG 18
-------------------------	--------------------------------------------------------------

#### Material

Contact material	CuBe
Contact surface	Ni + Sn
REACH - substance (SVHC)	none

#### Climatic Data

Upper limit temperature	150 °C
Lower limit temperature	-40 °C

#### General

Tolerance	ISO 2768 -mH
Solderability	Acc. to IPC/JEDEC J-STD-020D-MSL 1

#### Sicherheitshinweis

Safety instructions  
 Components have to be fixed in a way to prevent any transmission of forces on to the contact. Components with more than one pin are recommended.

Data sheet

Page 3/5

## SM01W01VXNN03G1 7-inch Reel solder pad/component side

P/N

ASM01W0164-3G16

xx=number of poles

2020/04/23

Version: M

### Counterpart

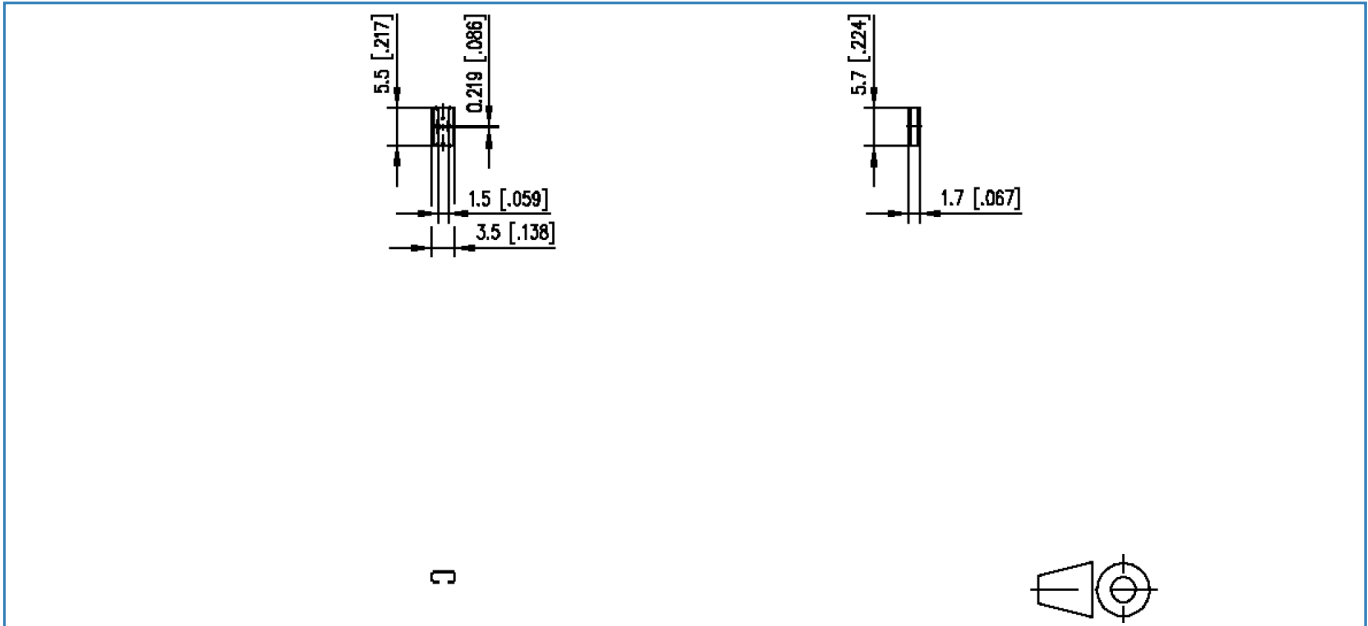
P/N	Designation
709023	Tape_ASM01Y_16mm K03547 Tape_ASM01Y_16mm

© 2020 METZ CONNECT - Technische Änderungen vorbehalten! Subject to modifications! Sous réserve de modifications techniques!

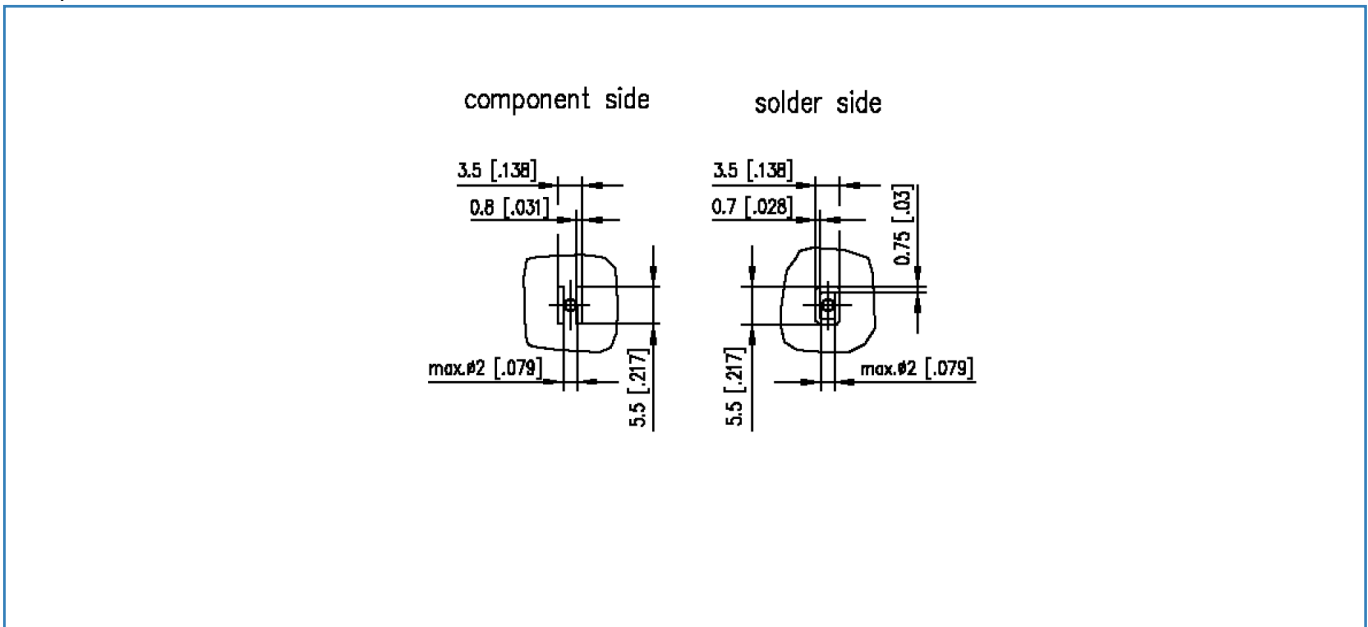


**Illustrations**

Dimensional drawing



Drill pattern



## Illustrations

### Application example

