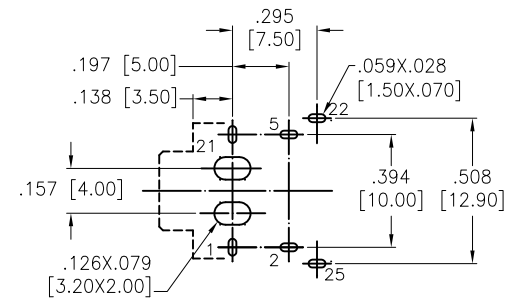
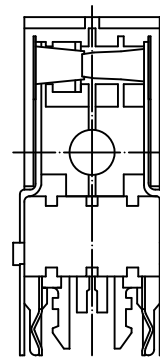
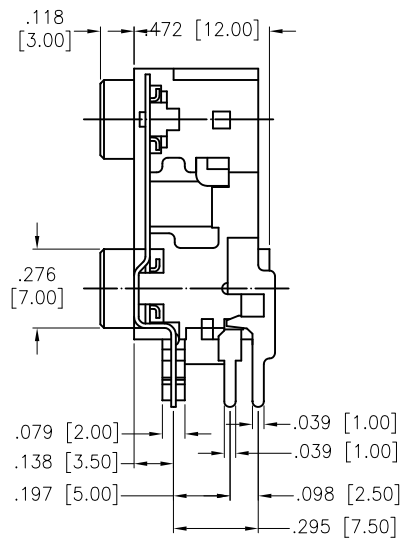
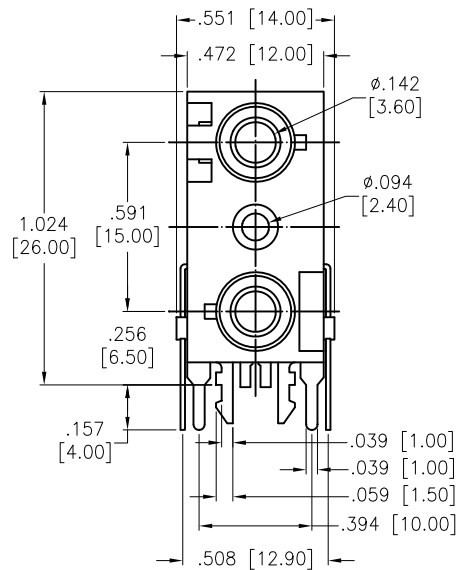
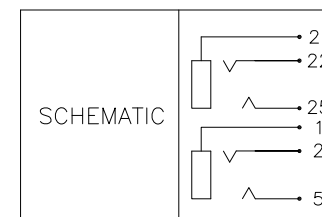


APPROVED: _____
 DATE: _____ TITLE: _____

| | | | | |
|-----|-------|-------------|---------|------|
| Rev | AWO # | Description | Date | Appr |
| - | | RELEASED | 7/18/16 | |



RECOMMENDED PCB LAYOUT
 BOTTOM VIEW



SPECIFICATIONS:

Material:
 Insulator: PBT, rated UL 94V-0
 Insulator color: Black
 Terminal: Phosphor Bronze
 Spring: Phosphor Bronze
 Top Lead & Spring Lead: Brass
 Plating:
 Silver over Copper underplate overall
 Electrical:
 Contact resistance: 30 mohms max
 Insulation resistance: 100 Mohms min @ 500 VDC
 Dielectric withstanding voltage: 500 V for 1 minute
 Temperature Rating:
 Operating temperature: -40°C to +70°C
 Environmental:
 Lead free, RoHS compliant.



| | | | |
|---|-------------|---|-----|
| UNLESS OTHERWISE SPECIFIED ALL DIMENSIONS ARE INCHES [MM] TOLERANCES: EXCEPT AS NOTED INCHES HOLES .X ± .10 Ø.X ± .10 .XX ± .020 Ø.XX ± .015 .XXX ± .015 Ø.XXX ± .010 | | ADAM TECH 909 Rahway Avenue, Union, NJ 07083 Phone: 908-687-5000 Fax: 908-687-5710 | |
| APPROVALS | | DATE | |
| DRAWN | HR | 7/18/16 | |
| CHECKED | CT | 7/18/16 | |
| APPROVED | | | |
| TITLE | | 3.5MM STACKED DUAL STEREO JACK FULLY SHIELDED | |
| SIZE | PART NO. | REV. | |
| X | ASJ-DP-38-3 | - | |
| REF: | S00062T | SCALE: | NTS |
| | | SHEET 1 OF 1 | |