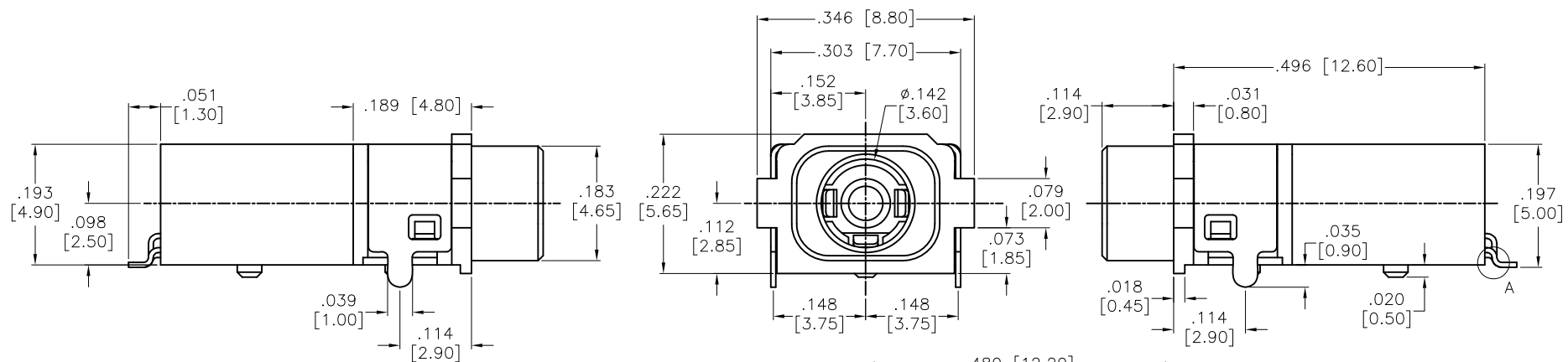


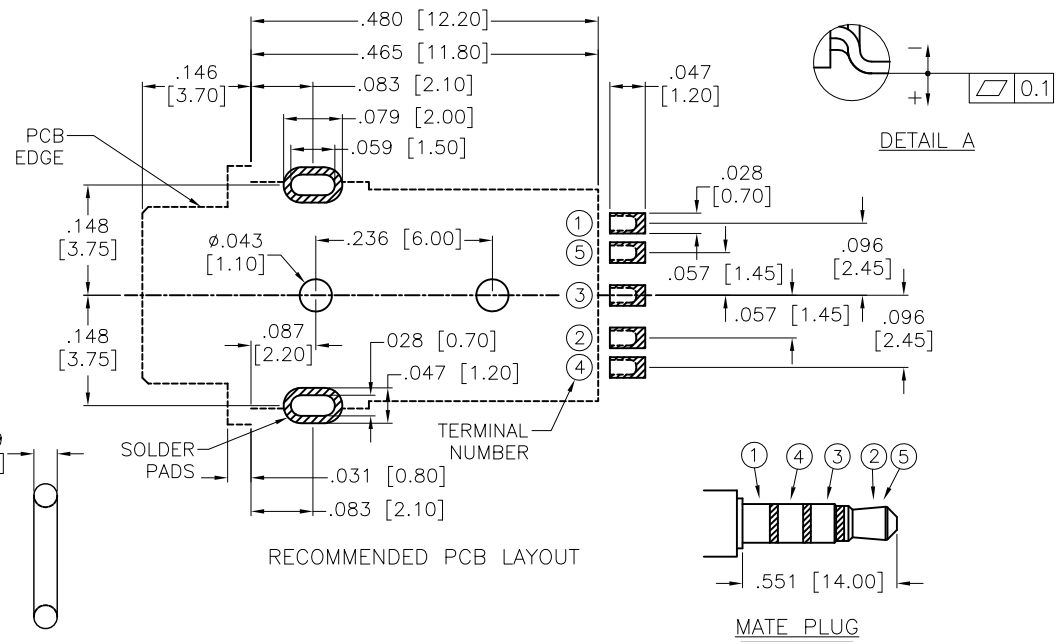
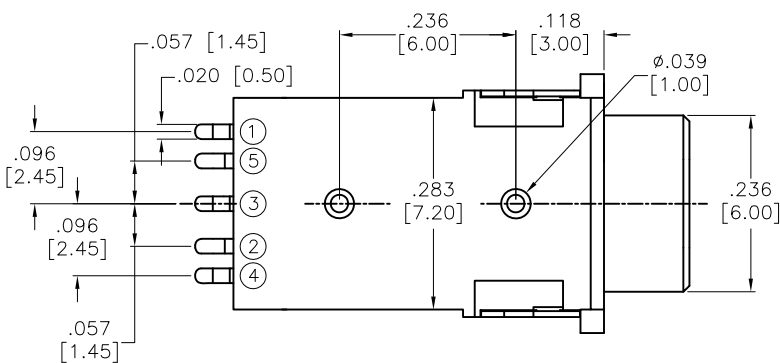
APPROVED: _____
 DATE: _____ TITLE: _____

Rev	AWO #	Description	Date	Appr
-		RELEASED	2/23/16	

D



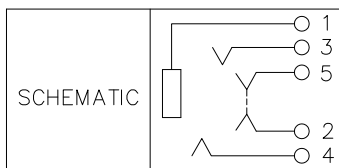
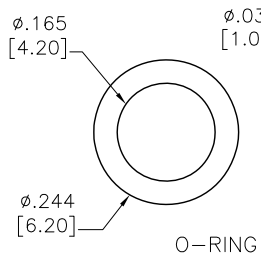
C



B

SPECIFICATIONS:

Material:
 Insulator: Hi-Temp Thermoplastic, Rated UL94V-0
 Insulator Color: Black
 Contacts Alloy: Copper Alloy
 Shield: Brass, Nickel plated
 O-Ring: Silicone, 94V-0
 Plating:
 Gold Flash over Nickel underplate overall
 Electrical:
 Rating: 12 VDC, 1A max.
 Contact Resistance: 50 mohm Max intinal
 Insulation Resistane: 100 Mohm Min @ 500 VDC
 Dielectric Withstanding Voltage: 500 VRMS For 1 Minute.
 Temperature Rating:
 Operating temperature: -25°C to +85°C
 Environmental:
 Lead free, RoHS compliant.



UNLESS OTHERWISE SPECIFIED
 ALL DIMENSIONS ARE INCHES [MM]
 TOLERANCES: EXCEPT AS NOTED

INCHES		HOLES	
.X	\pm .10	ϕ X	\pm .10
.XX	\pm .020	ϕ .XX	\pm .015
.XXX	\pm .015	ϕ .XXX	\pm .010

APPROVALS		DATE
DRAWN	HR	2/23/16
CHECKED	TW	2/23/16
APPROVED		

ADAM TECH

909 Rahway Avenue, Union, NJ 07083
 Phone: 908-687-5000 Fax: 908-687-5710

TITLE: 3.5MM WATERPROOF STEREO JACK
 WATERPROOF RATE: IPX7

SIZE X	PART NO. ASJ-181-1A-HDW-WP	REV. -
REF: S00021C	SCALE: NTS	SHEET 1 OF 1

A

A

6

5

4

3

2

1