

8	7	8	7	6	5	4	3	2	1	
DESCRIPTION			SIGN		DATE		REV.		ECN NO.	
Rev.02 to A, Initial Released			Sam Ho		2022-01-03		A		2022-01-03	
A X2			Sam Ho		2022-03-29		B		C220386	

8	7	8	7	6	5	4	3	2	1
DATE			DRAWN BY		ITEM NO		TITLE		
2021-09-15			Sam Ho		ASD-XXPMMMS-0C8AXX		XLOK, A SHLD-5A, FRONT FASTENED		
DATE			CHECKED BY		ENG NO		SCALE		
2021-09-15			Fred Lee		ASD-XXPMMMS-0C8AXX		2:1 SITE A4		
DATE			APPROVED BY		CUSTOMER		REV. B		
2021-09-15			Fred Lee		ALTW		REV. B		

Amphenol LTW
安費諾亮泰企業股份有限公司

UNIT: mm
TOLERANCE
±0.50mm

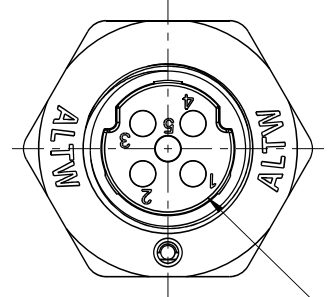
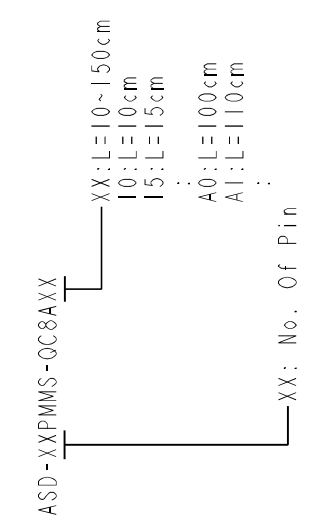
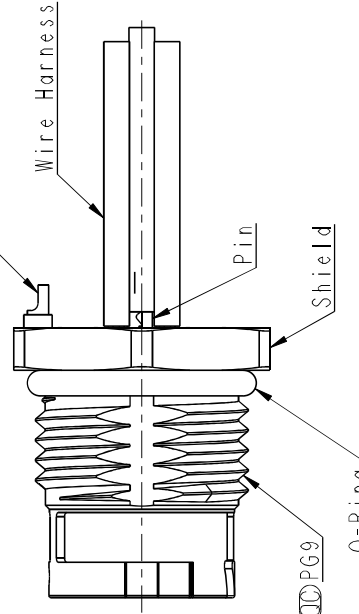
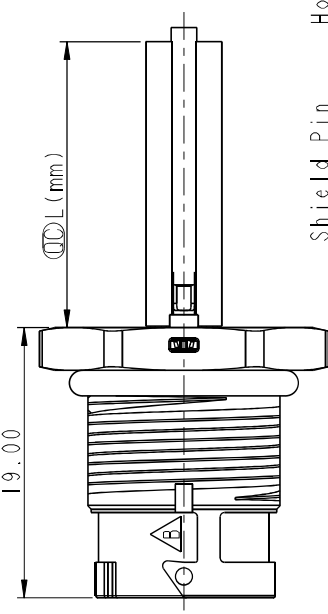
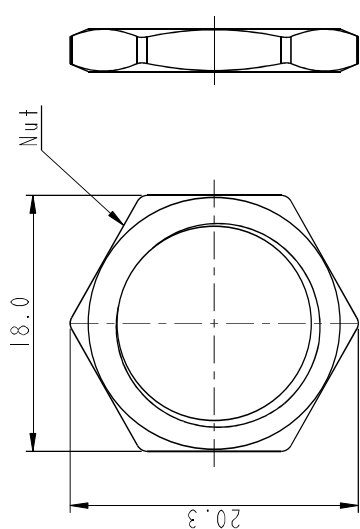
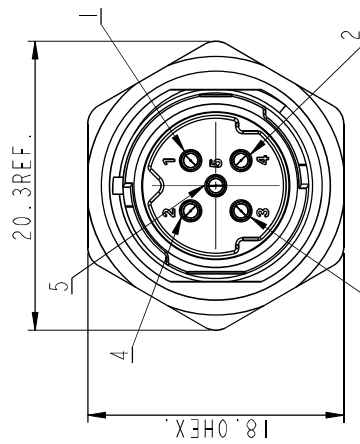
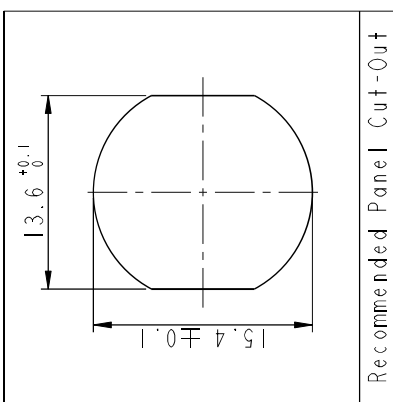
SCALE: 2:1 SITE A4
REV. B

TITLE: XLOK, A SHLD-5A, FRONT FASTENED
M, M, SOLDER, PUSH LOCK

SHEET 1 OF 2
REV. B

ASD-XXPMMMS-0C8AXX

XX: No. Of Pin



Note:

- * RoHS Compliant
- * Important dimension
- * Waterproof rate: IPX8, unmatd 1m/24h
- * Housing: Thermoplastic, Black
- * Pin: Copper alloy, Gold plated
- * Shield Pin: Copper alloy, Gold plated
- * Shield: Metal
- * Nut: Metal
- * O-Ring: Rubber, Black
- * Wire harness: UL1430, 20#, Ø1.8.
- * For panel thickness max: 4.5mm
- * Nut is packed separately in pe bag
- * Wire harness tolerance:
 - 100mm: ±10mm
 - 100mm < L ≤ 300mm: ±15mm
 - 300mm < L ≤ 1000mm: ±20mm
 - 1000mm < L ≤ 1500mm: ±50mm

8 7 6 5 4 3 2 1

5 Yellow	4 Orange	3 Red	2 Brown	1 Black	Pin #	Wire
4 黃	3 橘	2 紅	1 棕	0 黑	Pin #	Wire
3 Orange	2 Red	1 Brown	0 Black	Pin #	Wire	
2 橘	1 紅	0 棕	0 黑	Pin #	Wire	
1 Red	0 Brown	0 Black	Pin #	Wire		
0 Black	Pin #	Wire				
Pin Assignments Front View						

UNIT: mm		TITLE	XLOK, A SHLD-5A, FRONT FASTENED	ITEM NO		DRAWN BY	Saim Ho	DATE	2021-09-15
TOLERANCE	$\pm 0.50\text{mm}$	SCALE	2:1	SIZE	A4	CHECKED BY	Fred Lee	DATE	2021-09-15
		REV.	B	REV.	.0	APPROVED BY	Fred Lee	DATE	2021-09-15
		SHEET	2	OF	2	CUSTOMER	ALTW		
		<input checked="" type="checkbox"/> Inspection item							

Amphenol LTW
安費諾亮泰企業股份有限公司