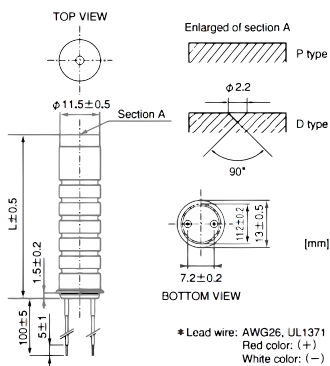


**KEMET Part Number: ASB170C201WP1-A0LF**  
(UPASB17201WP01)

KEMET, ASB, Piezo Actuators, Multilayer



**Dimensions**

<b>D</b>	13mm +/-0.5mm
<b>L</b>	24.5mm +/-0.5mm
<b>LL</b>	100mm +/-5mm

**Packaging Specifications**

<b>Weight:</b>	4
<b>Packaging:</b>	Tray
<b>Packaging Quantity:</b>	10

**General Information**

<b>Style:</b>	Metal Sealed
<b>Description:</b>	Metal Sealed Type Multilayer Piezoelectric Actuators
<b>RoHS:</b>	With Exemptions
<b>REACH:</b>	SVHC (Pb – CAS 7439-92-1)
<b>Notes:</b>	Without Flange, Plane.

**Specifications**

<b>Series:</b>	ASB
<b>Displacement:</b>	20um +/-3um
<b>Voltage DC:</b>	150 VDC
<b>Capacitance:</b>	0.5 uF
<b>Capacitance Tolerance:</b>	20%
<b>Resonant Frequency:</b>	35 kHz
<b>Generated Force:</b>	200 N
<b>Insulation Resistance:</b>	100 MOhms
<b>Temperature Range:</b>	-25/+85°C