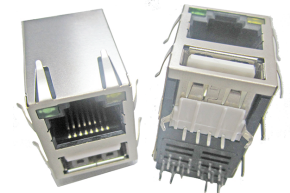


Gigabit RJ45 with 1 x USB Combo, w/ LEDs, Ext Temp

ARJ-196

RoHS/RoHS II Compliant



16.8 x 21.1 x 26.2mm

FEATURES:

- Compliant with IEEE802.3ab standard
- Tab up RJ45 Jack + 1USB Combo
- High performance for maximum EMI suppression
- 350 μ H minimum OCL with 8mA bias current
- RoHS peak wave solder temperature 260°C

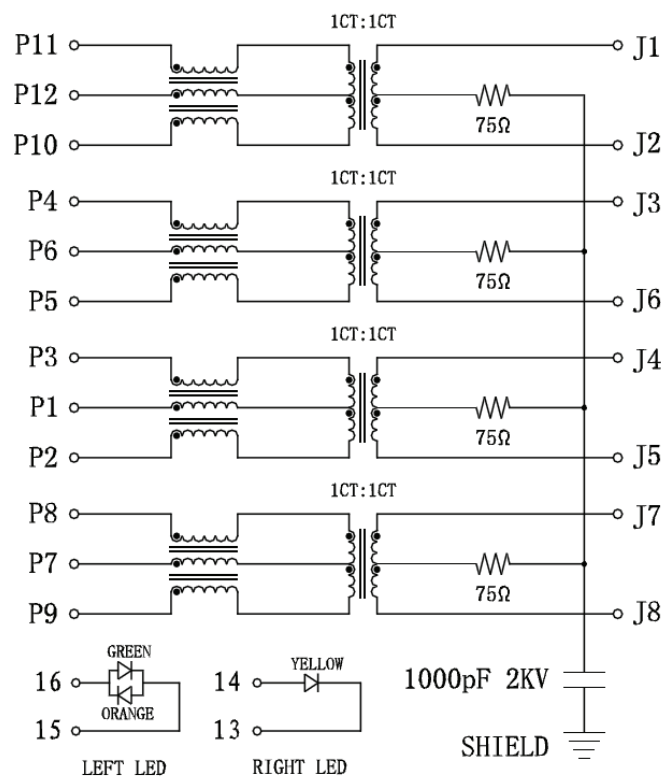
APPLICATIONS:

- Support 10/100 Base-T AutoMDIX application with Bi-Color LEDs
- Extended Temperature (-40°C~85°C)
- Network Interface Cards(NIC), LAN-on-Motherboard(LOM) and PC
- Suitable CAT 3, 5e & 6 cable and UTP
- Provides signal conditioning, EMI suppression and signal isolation

STANDARD SPECIFICATIONS

Parameters	Minimum	Typical	Maximum	Units	Notes
Operating Temperature	-40		+85	°C	
Storage Temperature	-40		+85	°C	
Turn Ratio ($\pm 3\%$)	1CT:1CT				Tx
	1CT:1CT				Rx
Inductance (OCL)	350			μ H	100KHz/0.1V@8mA
Insertion Loss			-1.0	dB	1-100MHz
Return Loss	-18			dB	1-10MHz
	-16				10-30MHz
	-14				30-60MHz
	-12				60-80MHz
	-10				80-100MHz
Cross Talk	-35			dB	1-100MHz
CMR	-35			dB	1-100MHz
Hi-Pot	1500Vrms/1mA/1Sec				Pri to Sec

SCHEMATICS



ABRACON IS
ISO 9001:2008
CERTIFIED



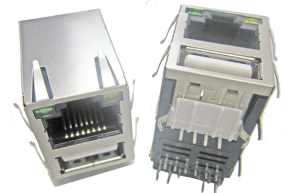
2 Faraday, Suite# B | Irvine | CA 92618 **Revised: 07.08.15**
Ph. 949.546.8000 | Fax. 949.546.8001

Visit www.abracon.com for Terms and Conditions of Sale

Gigabit RJ45 with 1 x USB Combo, w/ LEDs, Ext Temp

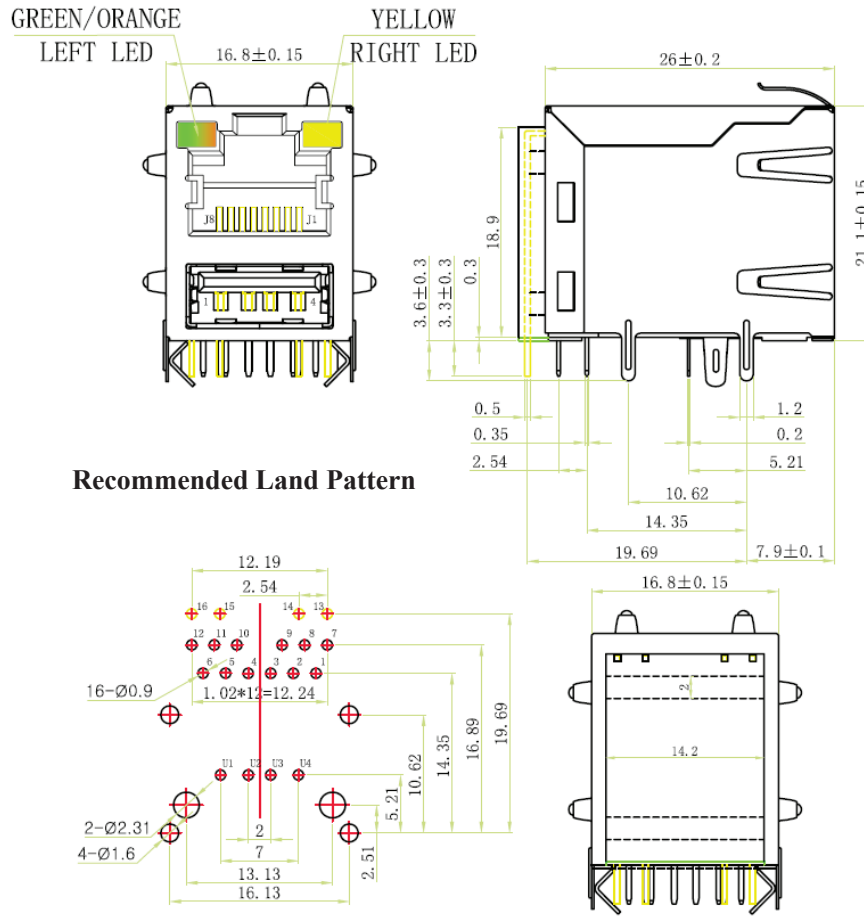
ARJ-196

RoHS/RoHS II Compliant

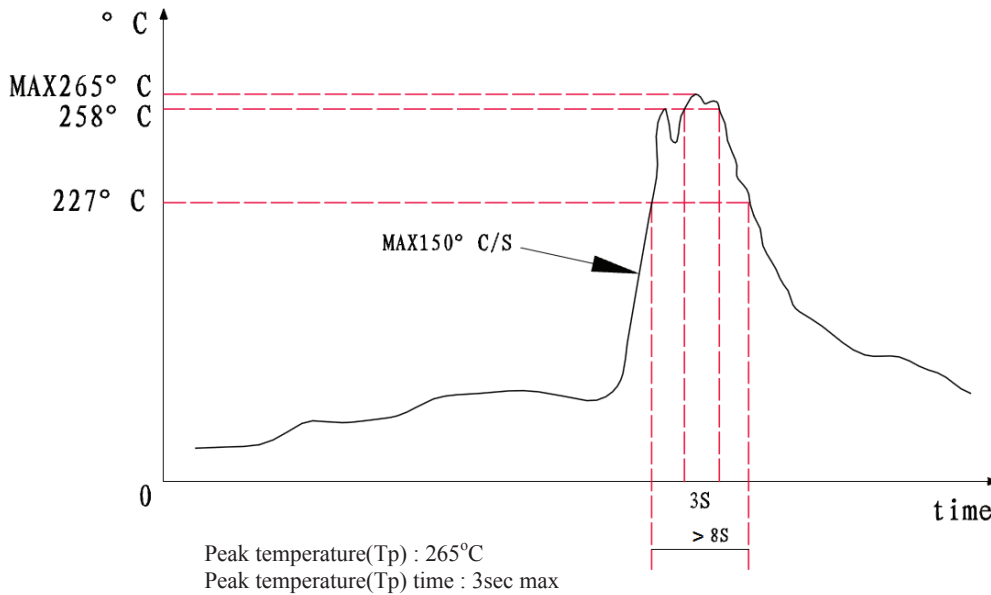


16.8 x 21.1 x 26.2mm

MECHANICAL DIMENSIONS



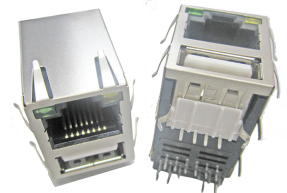
DIP WAVE SOLDERING PROFILE



Gigabit RJ45 with 1 x USB Combo, w/ LEDs, Ext Temp

ARJ-196

RoHS/RoHS II Compliant

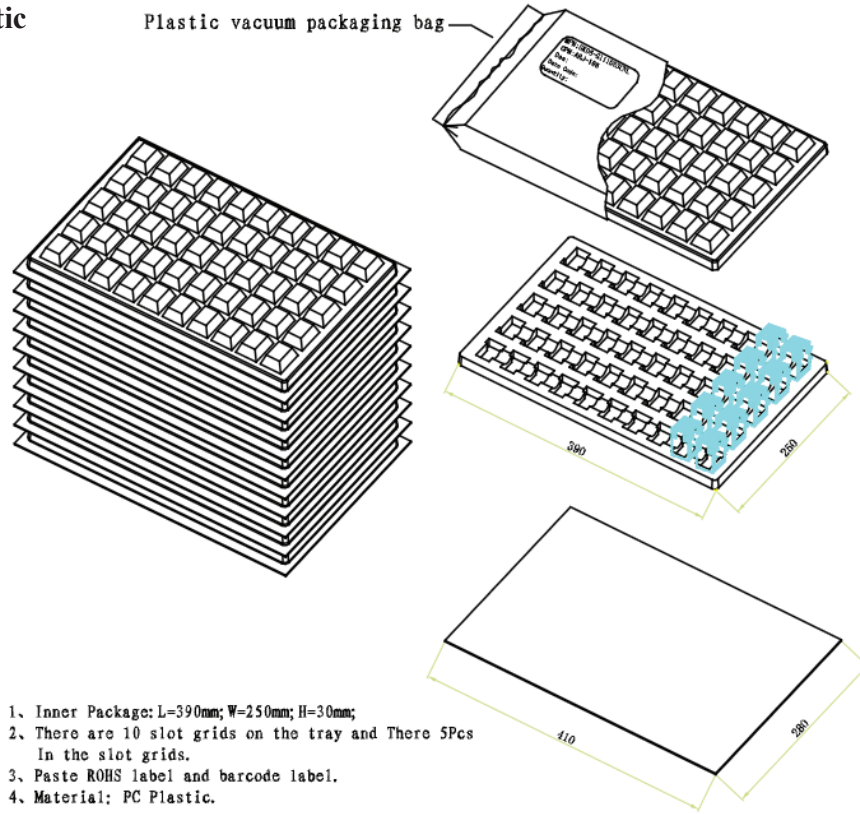


16.8 x 21.1 x 26.2mm

PACKAGING:

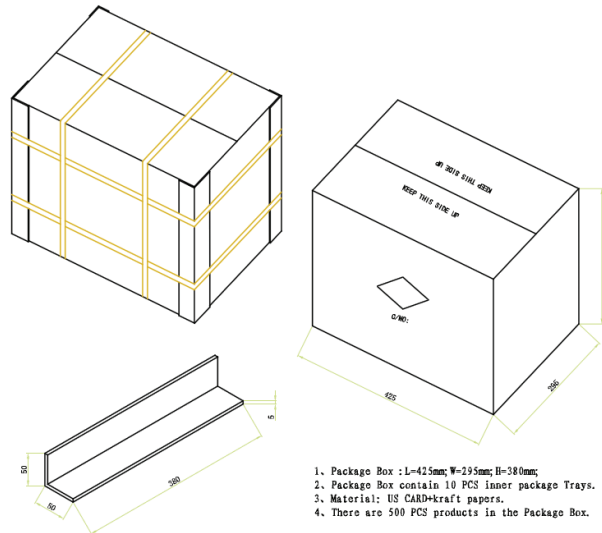
Packing: 50pcs/tray

Packing Material: PC Plastic



1. Inner Package: L=390mm; W=250mm; H=30mm;
2. There are 10 slot grids on the tray and There 5Pcs in the slot grids.
3. Paste ROHS label and barcode label.
4. Material: PC Plastic.

Outer carton unit (optional): 500 pcs/10 trays/box



1. Package Box : L=425mm; W=295mm; H=65mm;
2. Package Box contain 10 PCS inner package Trays.
3. Material: US CARD+kraft papers.
4. There are 500 PCS products in the Package Box.

Dimensions: cm

ATTENTION: Abracon Corporation's products are COTS – Commercial-Off-The-Shelf products; suitable for Commercial, Industrial and, where designated, Automotive Applications. Abracon's products are not specifically designed for Military, Aviation, Aerospace, Life-dependant Medical applications or any application requiring high reliability where component failure could result in loss of life and/or property. For applications requiring high reliability and/or presenting an extreme operating environment, written consent and authorization from Abracon Corporation is required. Please contact Abracon Corporation for more information.

ABRACON IS
ISO 9001:2008
CERTIFIED



2 Faraday, Suite# B | Irvine | CA 92618 **Revised: 07.08.15**

Ph. 949.546.8000 | Fax. 949.546.8001

Visit www.abracon.com for Terms and Conditions of Sale