



ACCELERATE®

(0.635 mm) .025"

ARC6-08-03.0-LU-LD-2-1

ARC6-16-03.0-LU-LU-3-1

ARC6 SERIES

SLIM BODY CABLE

SPECIFICATIONS

For complete specifications and recommended PCB layouts see www.samtec.com?ARC6

- Cable:** 34 AWG Eye Speed® ultra low skew twinax cable
- Signal Routing:** 100 Ω Differential
- Insulator Material:** LCP
- Terminal Material:** Copper Alloy
- Cable Insulator:** THV
- Operating Temp Range:** -40 °C to +125 °C
- RoHS Compliant:** Yes

Mates with:
ARF6

Direct attach technology

EYE SPEED
CABLE

34 AWG Eye Speed® ultra low skew twinax cable

Rugged metal latching

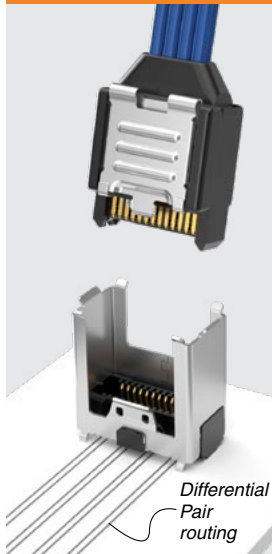
High-density 2-row design

PAM4	NRZ
56 Gbps	28 Gbps

PROCESSING

Lead-Free Solderable:
Yes

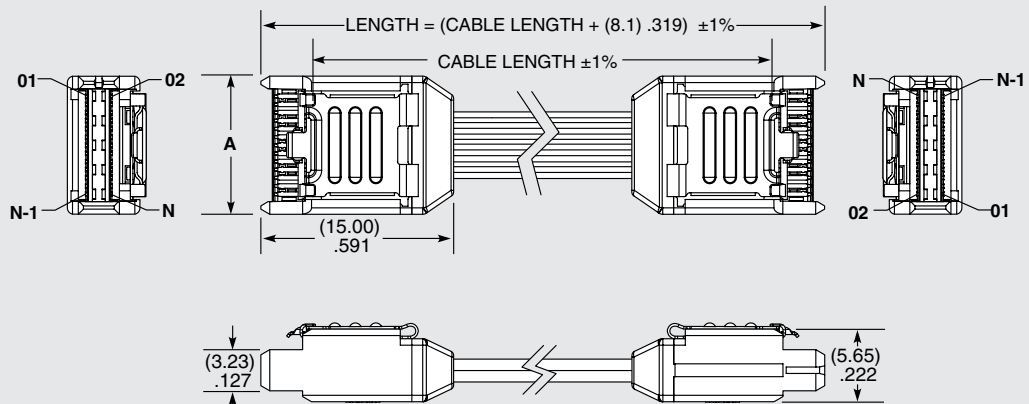
APPLICATION



Differential Pair routing

ARC6	NO. OF PAIRS	CABLE LENGTH	END 1	END 2	WIRING OPTION	CABLE TYPE
	-08 = 8 Pairs	"XX.X" = Length in Inches 03.0" (76.2 mm) minimum	-LU = Latch Up	-LU = Latch Up	-2 = Pin 1 to Pin 2 (End 2 -LD option only)	-1 = 34 AWG 100 Ω Eye Speed®
	-16 = 16 Pairs					
					-3 = Pin 1 to Pin N-1 (End 2 -LU option only)	

NO. OF PAIRS	A	N	N-1
-08	(10.90) .429	26	25
-16	(18.52) .729	50	49



ARC6-08-XX.X-LU-LU-3-1 SHOWN

Notes:
Cable lengths longer than 40.00" (1 meter) are not supported with S.I. test data.
Some lengths, styles and options are non-standard, non-returnable.

Due to technical progress, all designs, specifications and components are subject to change without notice.

WWW.SAMTEC.COM

All parts within this catalog are built to Samtec's specifications.
Customer specific requirements must be approved by Samtec and identified in a Samtec customer-specific drawing to apply.